

Metal enclosures GT type, IP65

Application :

GT-Type metal enclosures cover a wide range of applications both for industrial and civil buildings. Due to its design they provide high IP protection level, mechanical strength and functionality. They are used in places where electrical equipment is exposed to adverse effect of factors such as water, dust, mechanical impact..

Main advantages:

- Enclosures made of high quality sheet steel thicknesses from 1.2 mm to 2 mm, resistant to external mechanical factors - IK10.
- Specially profiled edges of the housing ensure stiffness and excellent protection against water. Poured polyurethane gasket on the door providing IP65 protection.
- Door opening in the contour of the outer casing, which allows direct linking of several enclosures in series - a special structure hinges. The door mounting on the left or right side.

Compliance with standards and directives:

EN 62208 Empty enclosures for low voltage switchgear and controlgear

EN 60529 Degrees of protection provided by enclosures (IP Code)

EN 62262 Degrees of protection against external mechanical impacts provided by enclosures of electrical equipment (IK code)

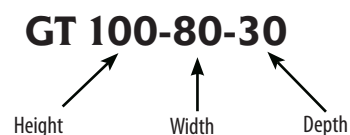
Meet the requirements of the RoHS Directive

Marked CE

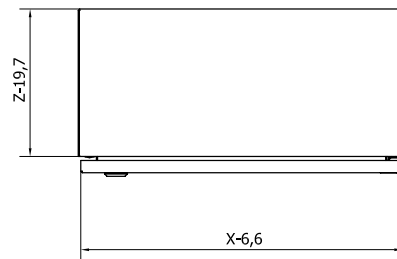
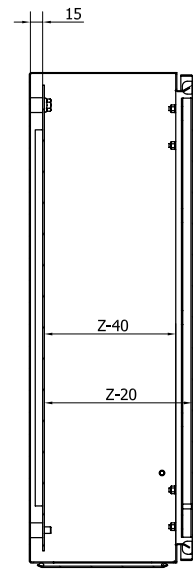
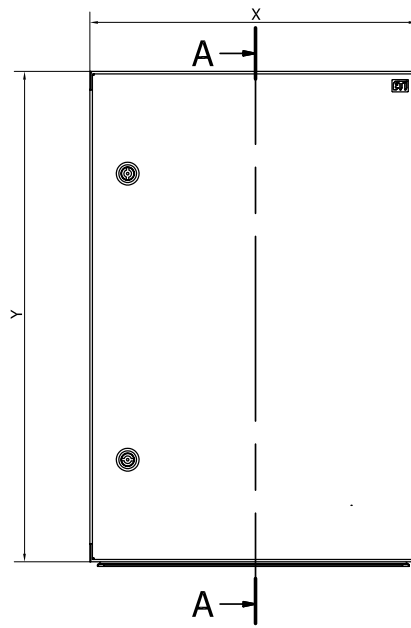
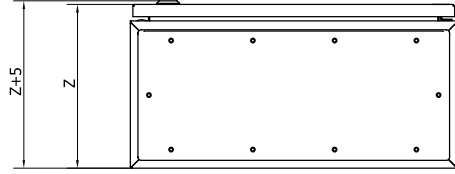
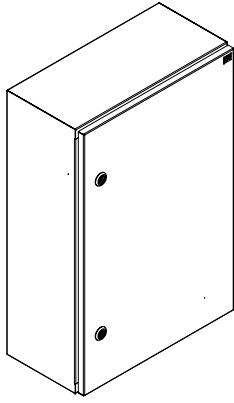
The enclosures are supplied with:

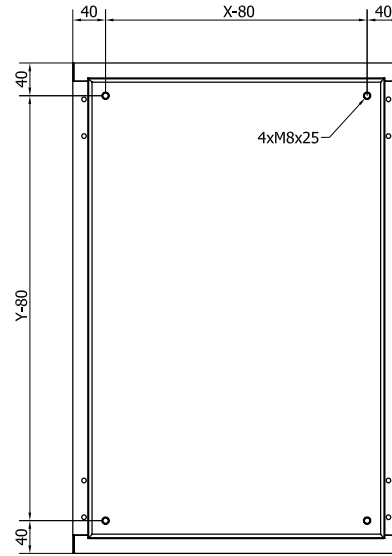
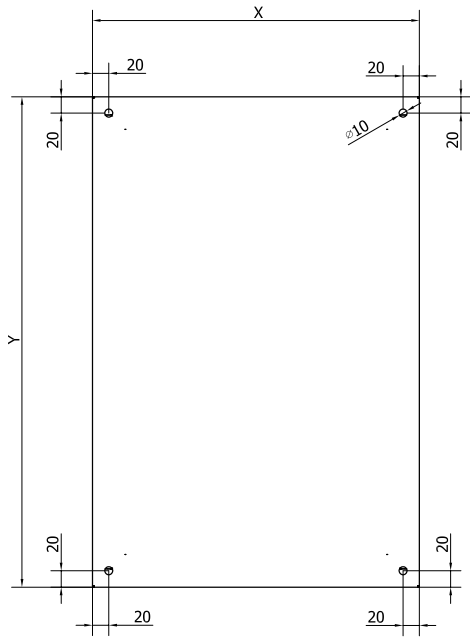
- Cable entry cover with mounting kit
- Mounting plate with mounting kit
- Door lock with, double-bit insert and key
- Cover holes
- Earthing set of grounding (without cable)

Symbols:

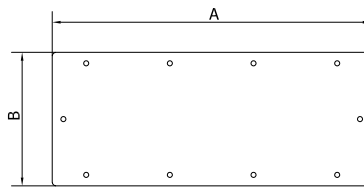
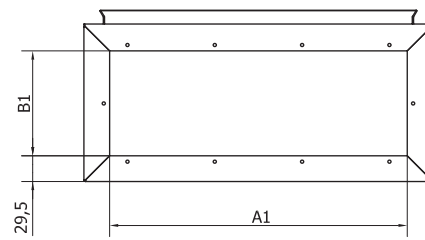
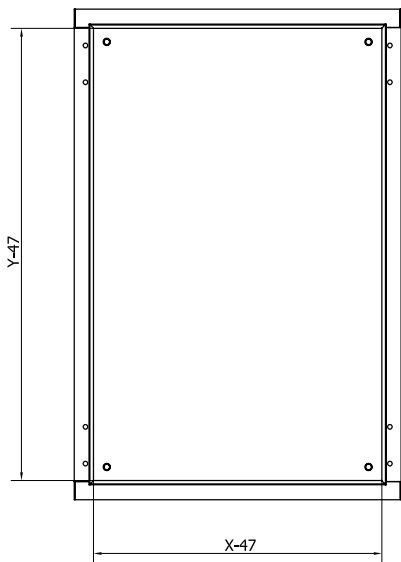


Type	Height Y (mm)	Width X (mm)	Depth Z (mm)	Lock quantity	Hinges quantity	Cable entry depth B1 (mm)	Cable entry width A1 (mm)	Cover cable entry depth B (mm)	Cover cable entry width A (mm)
GT 25-20-15	250	200	150	1	2	70	140	110	180
GT 30-20-15	300	200	150	1	2	70	140	110	180
GT 30-30-15	300	300	150	1	2	70	240	110	280
GT 30-30-20	300	300	200	1	2	120	240	160	280
GT 30-30-25	300	300	250	1	2	170	240	210	280
GT 40-30-15	400	300	150	1	2	70	240	110	280
GT 40-30-20	400	300	200	1	2	120	240	160	280
GT 40-30-25	400	300	250	1	2	170	240	210	280
GT 40-40-15	400	400	150	1	2	70	340	110	380
GT 40-40-20	400	400	200	1	2	120	340	160	380
GT 40-40-25	400	400	250	1	2	170	340	210	380
GT 40-60-20	400	600	200	1	2	120	540	160	580
GT 40-60-25	400	600	250	1	2	170	540	210	580
GT 40-60-30	400	600	300	1	2	170	540	210	580
GT 50-40-15	500	400	150	2	2	70	340	110	380
GT 50-40-20	500	400	200	2	2	120	340	160	380
GT 50-40-25	500	400	250	2	2	170	340	210	380
GT 50-55-20	500	550	200	2	2	120	490	160	530
GT 50-55-25	500	550	250	2	2	170	490	210	530
GT 60-40-15	600	400	150	2	2	70	340	110	380
GT 60-40-20	600	400	200	2	2	120	340	160	380
GT 60-40-25	600	400	250	2	2	170	340	210	380
GT 60-60-20	600	600	200	2	2	120	540	160	580
GT 60-60-25	600	600	250	2	2	170	540	210	580
GT 60-60-30	600	600	300	2	2	170	540	210	580
GT 60-80-30	600	800	300	2	2	170	740	210	780
GT 65-55-20	650	550	200	2	2	120	490	160	530
GT 65-55-25	650	550	250	2	2	170	490	210	530
GT 80-40-20	800	400	200	2	3	120	340	160	380
GT 80-40-25	800	400	250	2	3	170	340	210	380
GT 80-55-20	800	550	200	2	3	120	490	160	530
GT 80-55-25	800	550	250	2	3	170	490	210	530
GT 80-60-20	800	600	200	2	3	120	540	160	580
GT 80-60-25	800	600	250	2	3	170	540	210	580
GT 80-60-30	800	600	300	2	3	170	540	210	580
GT 80-60-40	800	600	400	2	3	170	540	210	580
GT 80-80-20	800	800	200	2	3	120	740	160	780
GT 80-80-25	800	800	250	2	3	170	740	210	780
GT 80-80-30	800	800	300	2	3	170	740	210	780
GT 80-80-40	800	800	400	2	3	170	740	210	780
GT 80-100-30	800	1000	300	2	3	170	940	210	980
GT 80-100-40	800	1000	400	2	3	170	940	210	980
GT 100-60-25	1000	600	250	3p*	3	170	540	210	580
GT 100-60-30	1000	600	300	3p*	3	170	540	210	580
GT 100-60-40	1000	600	400	3p*	3	170	540	210	580
GT 100-80-25	1000	800	250	3p*	3	170	740	210	780
GT 100-80-30	1000	800	300	3p*	3	170	740	210	780
GT 100-80-40	1000	800	400	3p*	3	170	740	210	780
GT 100-100-25	1000	1000	250	3p*	3	170	940	210	980
GT 100-100-30	1000	1000	300	3p*	3	170	940	210	980
GT 100-100-40	1000	1000	400	3p*	3	170	940	210	980
GT 120-60-25	1200	600	250	3p*	3	170	540	210	580
GT 120-80-25	1200	800	250	3p*	3	170	740	210	780
GT 120-80-30	1200	800	300	3p*	3	170	740	210	780
GT 120-80-40	1200	800	400	3p*	3	170	740	210	780
GT 120-100-30	1200	1000	300	3p*	3	170	940	210	980
GT 120-100-40	1200	1000	400	3p*	3	170	940	210	980

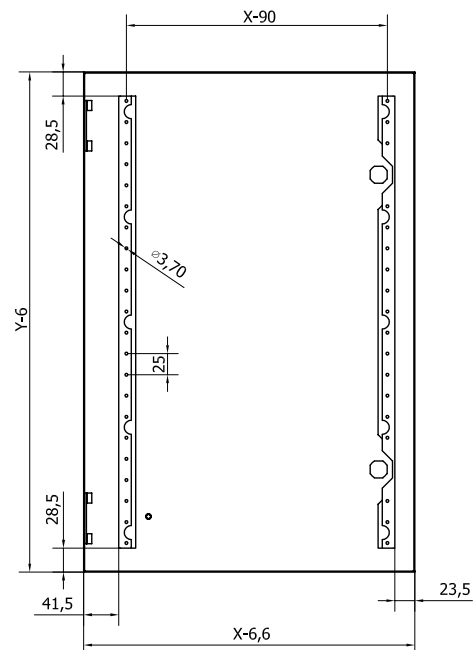
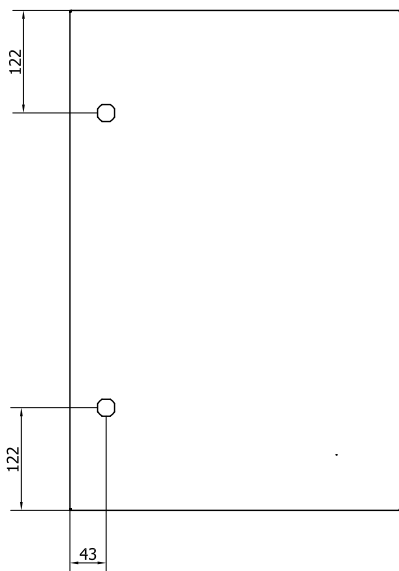




The door

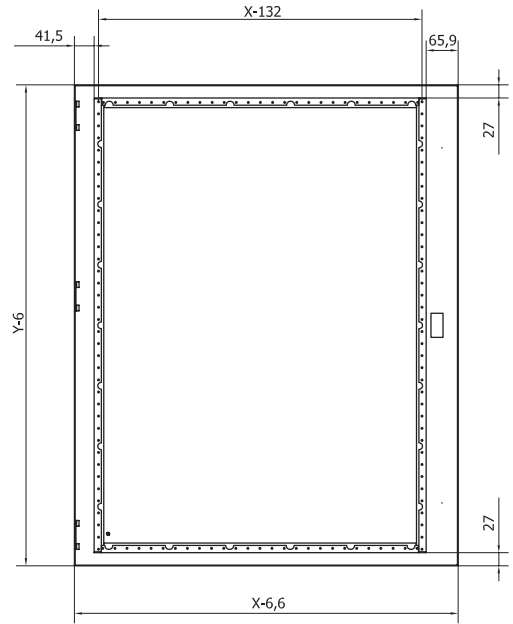
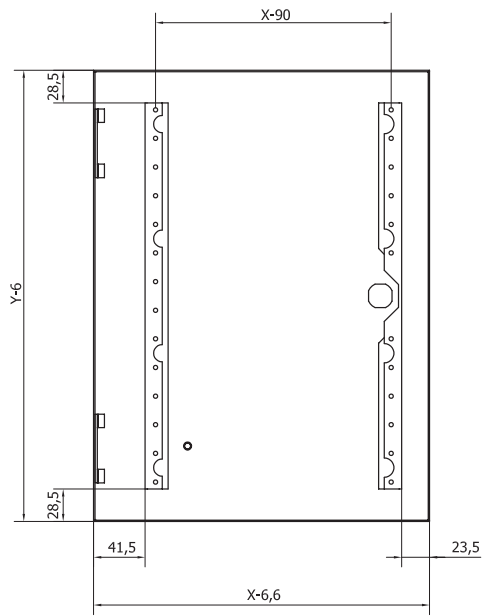


The cover of cable entry

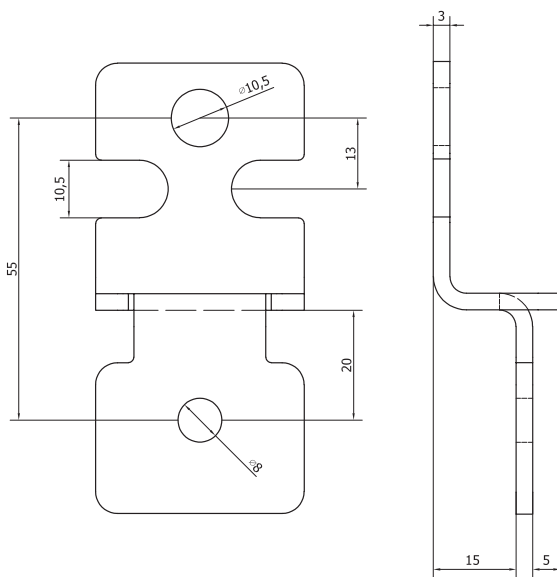


ETIBOX

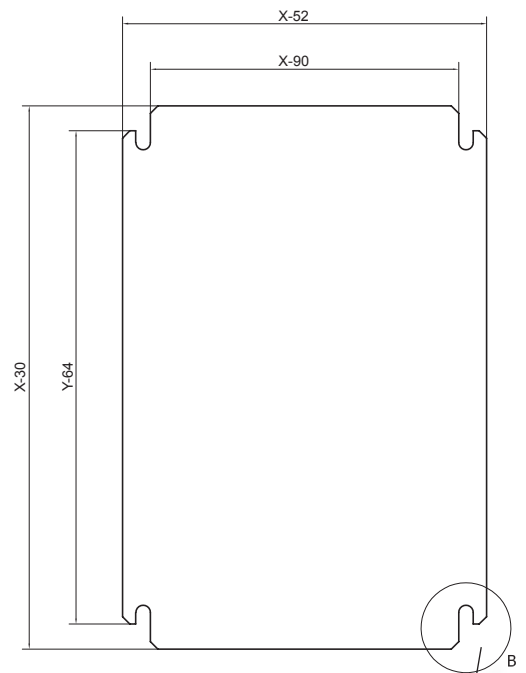
The door



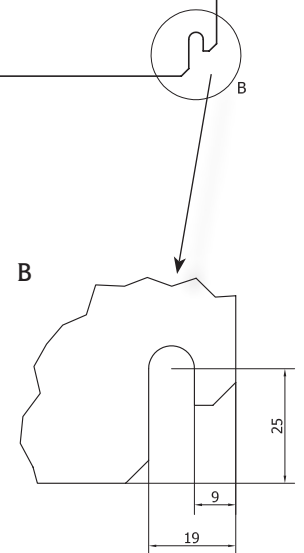
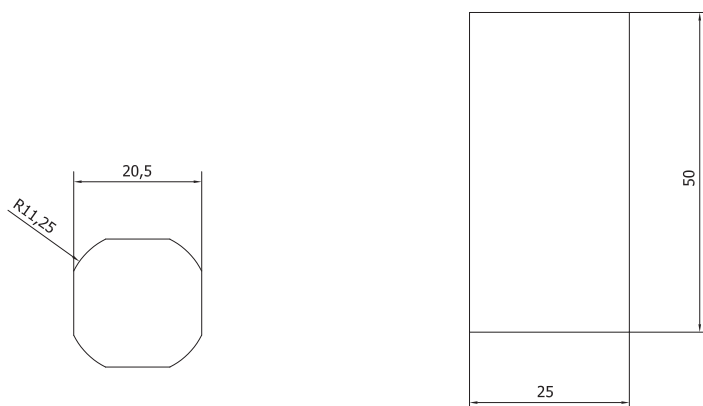
Wall holder



Mounting plate



Door drilling



X-ON Electronics

Largest Supplier of Electrical and Electronic Components

Click to view similar products for [Enclosures, Boxes, & Cases](#) category:

Click to view products by [ETI Polam](#) manufacturer:

Other Similar products are found below :

[CR-425 PAINTED](#) [585-R-WH-PK](#) [M-10-PLATED](#) [60221-01](#) [60566-01-000](#) [HPL-9VB BATT DOOR](#) [M-16-LID-PLATED](#) [M18-PLTD](#) [M-21-LID-PLATED](#) [M-21-PLATED](#) [M-23-PLATED](#) [CU-281-MB](#) [6711GSKT](#) [71884-29-028](#) [LH45-100 Black](#) [7200B](#) [72868-510-000](#) [CNS-0000 Black](#) [72883-510-000](#) [CNS-0101 Black](#) [72906-510-000](#) [CNS-0407 Black](#) [73091-510-000](#) [CNM-0000-BLACK Kit](#) [73092-510-000](#) [CNM-0101 Black](#) [73108-510-000](#) [CNL-0303 Black](#) [73395-510-039](#) [CNS-0006 Bone](#) [74257-510-000](#) [CNL-0004](#) [MDC-1183-PLAIN-ALUM](#) [MDC-1183-PTD](#) [MDC-13104-PLAIN-ALUM](#) [MDC-211 - PAINTED IVORY/BEIGE](#) [MDC-321-PTD](#) [MDC-432-PLAIN-ALUM](#) [MDC-973-PTD](#) [76](#) [77153-01-028](#) [FLX6030](#) [83535-01-508](#) [PS-11296-G](#) [PS-11298-B](#) [116-508](#) [120-407](#) [120-412](#) [120-909](#) [120-455](#) [R272-100-000](#) [120-910](#) [R501-001-010](#) [R508-080-000](#) [R508-160-000](#) [R530-120-000](#) [R530-122-000](#) [R530-200-000](#) [R531-160-000](#) [R531-200-000](#) [R582-080-100](#)