

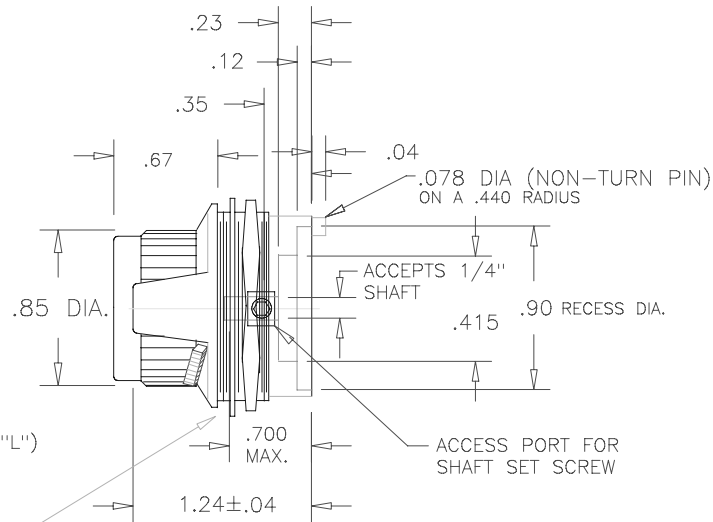
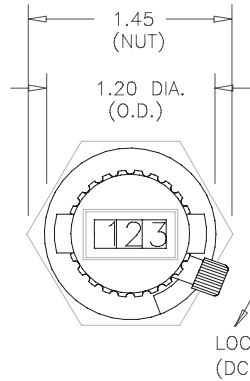
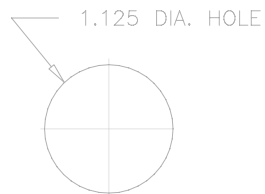
THIS DOCUMENT CONTAINS PROPRIETARY DATA OF POLARIS INDUSTRIAL ENTERPRISES, INC. NO DISCLOSURE, REPRODUCTION, OR USE OF ANY PART THERE OF MAY BE MADE EXCEPT BY WRITTEN PERMISSION.

REV.	BY	DATE	APPRVL.	P/N	DC27F
B	DMS	3/23/98	BT	ADDED SHAFT CHART	

SPECIFICATIONS

ACCURACY	±0.35% OF VOLTAGE RATIO
REPEATABILITY	±0.02% OR RESOLUTION OF POT
OPERATING TEMPERATURE RANGE	-30°C TO 85°C
TURNS	10 (000 TO 999 COUNTS)
LOCK	OVER THE CENTER (DC27F"L")
HOUSING MATERIAL	HIGH TEMP. BLACK PLASTIC

PANEL LAYOUT



THREAD MAJOR DIA. = 1.10"
REQUIRED MOUNTING HOLE IN PANEL = 1 1/8" DIA.

NOTES

- COMPATIBLE ETI SYSTEMS POTENTIOMETERS 3 TO 30 TURNS.
MW20B MW46B MH20B
MW22B MR46B MH46B
- POT/DIAL COMBINATIONS AVAILABLE
SEE ETI SPECIFICATION DC22.
- OTHER SHAFT SIZE BUSHINGS AVAILABLE
- NUMBERS INCREASE WITH CLOCKWISE ROTATION

PART #	SHAFT DIA.	LOCKING UNIT
DC27FL-1/4	0.250	YES
DC27FN-1/4	0.250	NO
DC27FL-1/8	0.125	YES
DC27FN-1/8	0.125	NO
DC27FL-6mm	6mm	YES
DC27FN-6mm	6mm	NO
DC27FL-3mm	3mm	YES
DC27FN-3mm	3mm	NO

TOLERANCES

XX = +/- .010" FRACT. = +/- 1/64"
XXX = +/- .005" ANGLES = +/- 1/2"
ALL SPECIFICATIONS SUBJECT TO CHANGE WITHOUT NOTICE.

SCALE	DATE: 3/18/98
	BY DMS
N/A	APPRV'D BT
CODE	IDENT: 19477



TITLE
TURNS COUNTING DIAL

PART NO.
DC27F

X-ON Electronics

Largest Supplier of Electrical and Electronic Components

Click to view similar products for [Knobs & Dials](#) category:

Click to view products by [ETI Systems](#) manufacturer:

Other Similar products are found below :

[8519](#) [8529](#) [8547](#) [8573](#) [11K5015-EMNB](#) [11K5019-ECNB](#) [11K5020-KLAB](#) [11K5048-KMNB](#) [11K5014-EMNB](#) [11K5015-EMNG](#) [11K5019-EMNB](#) [1770](#) [P400S-08-D6-N](#) [K6510](#) [PKJ50B18](#) [42000B38](#) [420114B14](#) [5006](#) [KS700B14](#) [411](#) [420037B14](#) [8517](#) [8545](#) [8546](#) [8572](#) [H-516-3A](#) [P861H-0X-S6](#) [8544](#) [11K5014-JMNG](#) [11K5014-KMNG](#) [11K5014-ECNG](#) [5700E](#) [5002-5](#) [52-928.40](#) [5003-5](#) [11K5019-KCNG](#) [11K5028-KCNG](#) [02000-11A-2](#) [02000-4-1](#) [0025DF](#) [G813512LADUS-0](#) [2810-Y](#) [3009CC](#) [3025BA](#) [YME IP 12 D](#) [YME IP 01 A](#) [YME IP 12 H](#) [YME IP 12L-U](#) [YME IP 16 I](#) [YME IP 01 B](#)