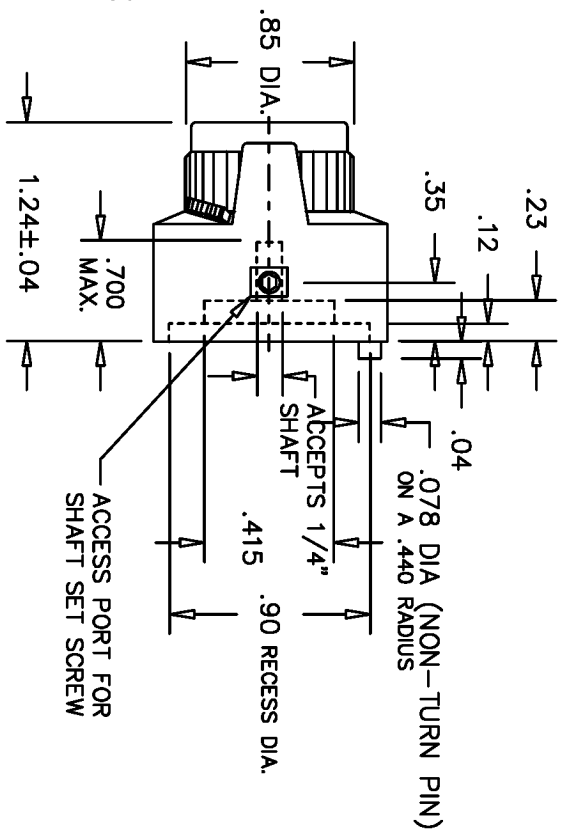
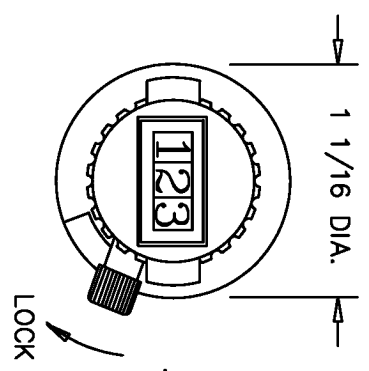
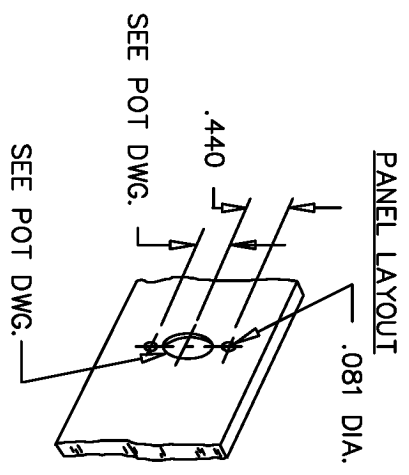


THIS DOCUMENT CONTAINS PROPRIETARY DATA OF POLARIS INDUSTRIAL ENTERPRISES, INC. NO DISCLOSURE, REPRODUCTION, OR USE OF ANY PART THERE OF MAY BE MADE EXCEPT BY WRITTEN PERMISSION.

REV.	BY	DATE	APPRVL.	P/N
C	DMS	3/23/98	BT	DC27
				ADDED SHAFT CHART

SPECIFICATIONS

ACCURACY ----- ±0.35% OF VOLTAGE RATIO
 REPEATABILITY ----- ±0.02% OR RESOLUTION OF POT
 OPERATING TEMPERATURE RANGE ----- -30°C TO 85°C
 TURNS ----- 10 (000 TO 999 COUNTS)
 LOCK ----- OVER THE CENTER
 HOUSING MATERIAL ----- HIGH TEMP. BLACK PLASTIC

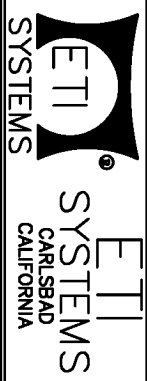


NOTES

1. COMPATIBLE ETI SYSTEMS POTENTIOMETERS 3 TO 30 TURNS.
 MW20B MW46B MH20B
 MW22B MR46B MH46B
2. POT/DIAL COMBINATIONS AVAILABLE
 SEE ETI SPECIFICATION DC22.
3. OTHER SHAFT SIZE BUSHINGS AVAILABLE
4. NUMBERS INCREASE WITH CLOCKWISE ROTATION

PART #	SHAFT DIA.	LOCKING UNIT
DC27L-1/4	0.250	YES
DC27N-1/4	0.250	NO
DC27L-1/8	0.125	YES
DC27N-1/8	0.125	NO
DC27L-6mm	6mm	YES
DC27N-6mm	6mm	NO
DC27L-3mm	3mm	YES
DC27N-3mm	3mm	NO

TOLERANCES		DATE: 3/18/98	
XX = +/- .010" FRACT.	= +/- 1/64"	BY	DMS
XXX = +/- .005" ANGLES = +/- 1/2°		APPRV'D	BT
ALL SPECIFICATIONS SUBJECT TO CHANGE WITHOUT NOTICE			
SCALE		CODE IDENT: 19477	
N/A			



TURNS COUNTING DIAL

PART NO. DC27

X-ON Electronics

Largest Supplier of Electrical and Electronic Components

Click to view similar products for [Knobs & Dials](#) category:

Click to view products by [ETI Systems](#) manufacturer:

Other Similar products are found below :

[8519](#) [8529](#) [8547](#) [8573](#) [11K5015-EMNB](#) [11K5019-ECNB](#) [11K5020-KLAB](#) [11K5048-KMNB](#) [11K5014-EMNB](#) [11K5015-EMNG](#) [11K5019-EMNB](#) [1770](#) [P400S-08-D6-N](#) [K6510](#) [PKJ50B18](#) [42000B38](#) [420114B14](#) [5006](#) [KS700B14](#) [411](#) [420037B14](#) [8517](#) [8545](#) [8546](#) [8572](#) [H-516-3A](#) [P861H-0X-S6](#) [8544](#) [11K5014-JMNG](#) [11K5014-KMNG](#) [11K5014-ECNG](#) [5700E](#) [5002-5](#) [52-928.40](#) [5003-5](#) [11K5019-KCNG](#) [11K5028-KCNG](#) [02000-11A-2](#) [02000-4-1](#) [0025DF](#) [G813512LADUS-0](#) [2810-Y](#) [3009CC](#) [3025BA](#) [YME IP 12 D](#) [YME IP 01 A](#) [YME IP 12 H](#) [YME IP 12L-U](#) [YME IP 16 I](#) [YME IP 01 B](#)