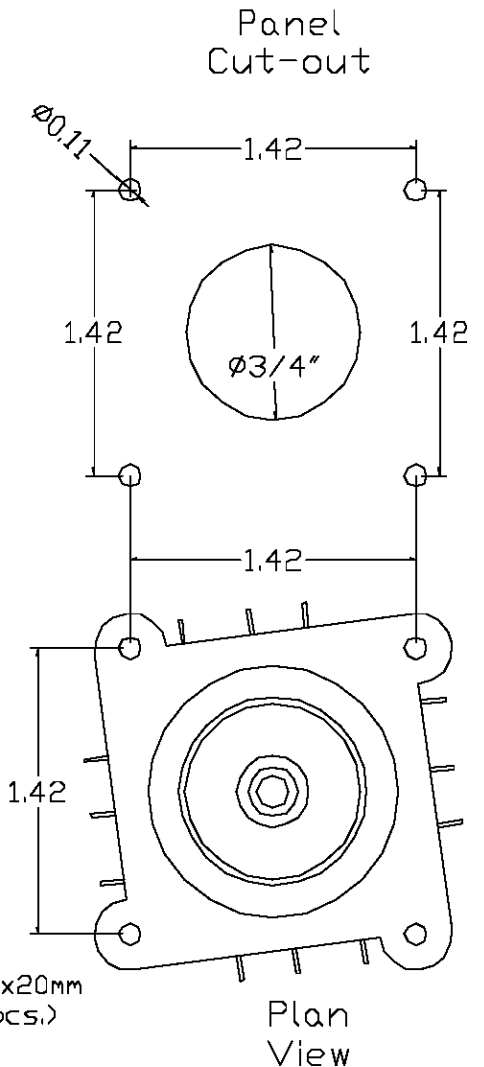
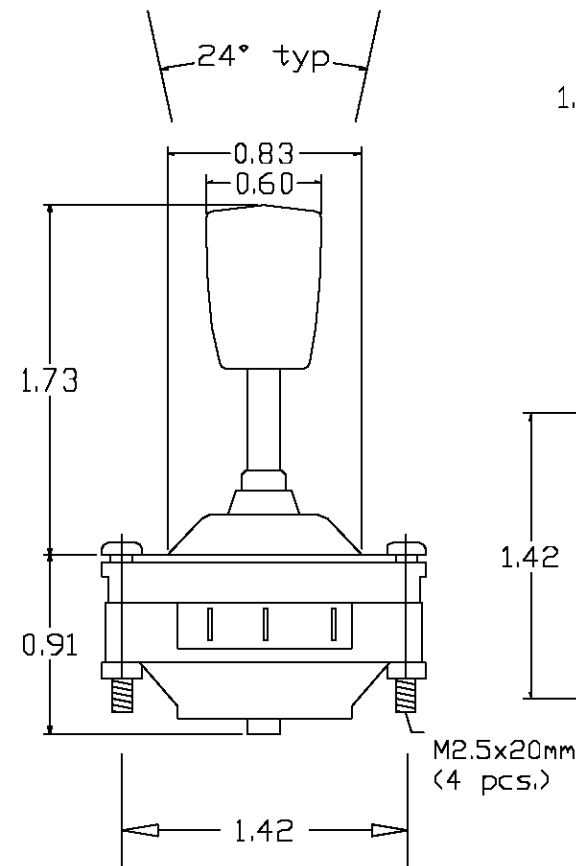
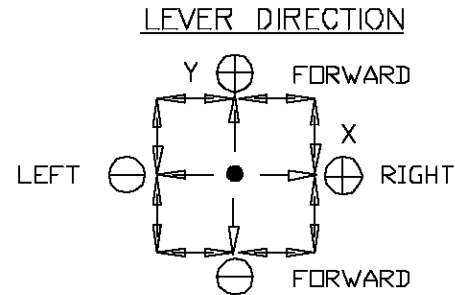
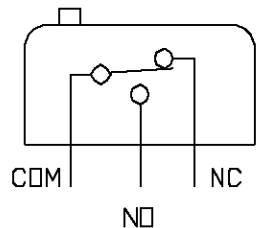


ELECTRICAL CHARACTERISTICS.

SWITCH TYPE — — — — V4
 NO. OF SWITCHES — — — — 4 OR 8
 NOMINAL CURRENT — — — — 5 AMP
 MAX VOLTAGE — — — — 250 VAC
 CONTACT LIFE — — — — LOAD DEPENDANT
 TERMINATION — — — — SOLDER
 OPERATING TEMPERATURE — — — — -20°C - +50°C
 MECHANICAL LIFE — — — — > 5 MILLION OPERATIONS
 LEVER TRAVEL — — — — ±12° FROM CENTER
 LEVER MATERIAL — — — — STAINLESS STEEL
 BODY MATERIAL — — — — MINERAL FILLED NYLON-6
 KNOB MATERIAL — — — — NYLON OR ALUMINUM
 BOOT MATERIAL — — — — VINYL
 ENVIRONMENTAL — — — — IP 65 ABOVE PANEL

SWITCH SCHEMATICS:

ETI
 SYSTEMS
 CARLSBAD
 CALIFORNIA

2251 LAS PALMAS DR.
 CARLSBAD, CA 92009
 PHONE: (760) 929-0749
 FAX: (760) 929-0748
 WWW.ETISYSTEMS.COM

TITLE

SWITCH
 STICK

PART NO.

J1-00105

X-ON Electronics

Largest Supplier of Electrical and Electronic Components

Click to view similar products for [Joysticks](#) category:

Click to view products by [ETI Systems](#) manufacturer:

Other Similar products are found below :

[M11L0A1](#) [C1000C1P](#) [S10L0A1M](#) [G3-A1AM151NNNN](#) [TH500P00D4](#) [C1000C1PMJ0](#) [S10L061J](#) [60C22-M7-4-020S](#) [60A00-8-050C](#)
[60A00-4-050C](#) [60C22-M7-4-040S](#) [G3-0425](#) [S30L081F50](#) [3440SAT6476](#) [60A18-4-090C](#) [S30L081J](#) [M11L001C](#) [M11L0X1P](#)
[USBM31Q081RMJ4S](#) [USBC200051JMJS](#) [TW08BLK12](#) [S30L0M1CSJBLK](#) [HF11R11](#) [HG-44MIS000-2654](#) [HG-44MIS000-U-2655](#)
[4P182F1E55475](#) [TS4A1S00A](#) [BD140D01GR0000](#) [BD150SD4BL1200](#) [3140SAL6475](#) [TW01BLK11](#) [TW01GRY1](#) [ZD4PA203](#)
[HF44S10UMJ0](#) [TS3N2S00A](#) [TS1R1U00A](#) [TS1R1S09A](#) [TS1D2S00A](#) [HFX45S02](#) [HFX10S00](#) [HF11P11](#) [4R28-2S1E-55-00](#)
[BD150A01RE0000](#) [BD150D02BK1200](#) [ZD4PA24](#) [ZD4PA22](#) [ZD4PA12](#) [ZD4PA14](#) [J1-00105-S-G](#) [J3R-IT-10K](#)