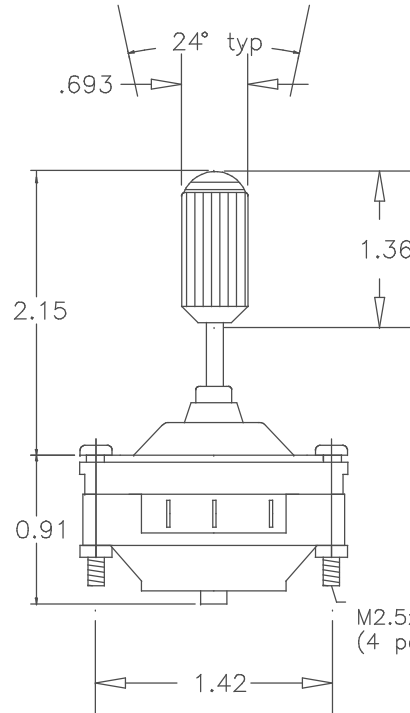
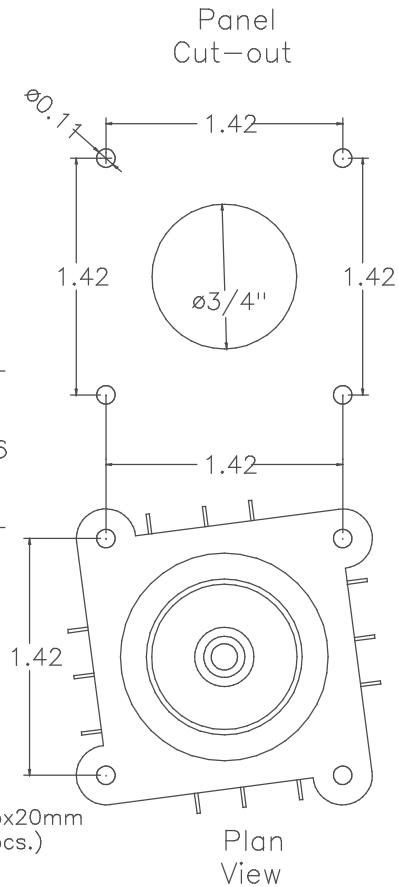
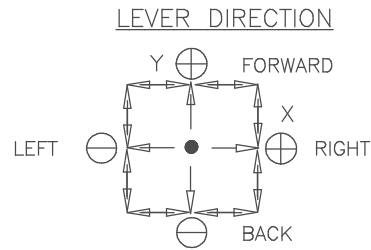


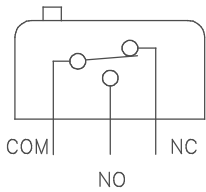
P/N J1-00105-S-G

ELECTRICAL CHARACTERISTICS.

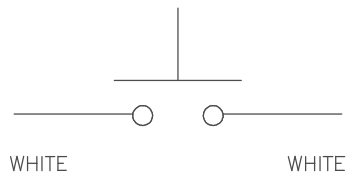
SWITCH TYPE \_\_\_\_\_ V4  
 NO. OF SWITCHES \_\_\_\_\_ 4  
 NOMINAL CURRENT \_\_\_\_\_ 5 AMP  
 MAX VOLTAGE \_\_\_\_\_ 250 VAC  
 CONTACT LIFE \_\_\_\_\_ LOAD DEPENDANT  
 TERMINATION \_\_\_\_\_ SOLDER  
 OPERATING TEMPERATURE \_\_\_\_\_ -20°C - +50°C  
 MECHANICAL LIFE \_\_\_\_\_ > 5 MILLION OPERATIONS  
 LEVER TRAVEL \_\_\_\_\_ ±12° FROM CENTER  
 LEVER MATERIAL \_\_\_\_\_ STAINLESS STEEL  
 BODY MATERIAL \_\_\_\_\_ MINERAL FILLED NYLON-6  
 KNOB MATERIAL \_\_\_\_\_ NYLON OR ALUMINUM  
 BOOT MATERIAL \_\_\_\_\_ VINYL  
 ENVIRONMENTAL \_\_\_\_\_ IP 65 ABOVE PANEL  
 PUSH-BUTTON SWITCH \_\_\_\_\_ 50VDC/0.1AMP



SWITCH SCHEMATICS:



PUSH-BUTTON:



TOLERANCES

XX = +/- .010" FRACT. = +/- 1/64"  
 XXX = +/- .005" ANGLES = +/- 1/2°

ALL SPECIFICATIONS SUBJECT TO CHANGE WITHOUT NOTICE.

SCALE NONE	DATE:	12-11-08
	BY:	AT
	APPR'D:	
CODE IDENT:	19477	



ETI SYSTEMS  
 CARLSBAD  
 CALIFORNIA

TITLE

SWITCH  
 STICK

PART NO.

J1-00105-S-G

## X-ON Electronics

Largest Supplier of Electrical and Electronic Components

*Click to view similar products for [Joysticks](#) category:*

*Click to view products by [ETI Systems](#) manufacturer:*

Other Similar products are found below :

[M11L0A1](#) [C10O0C1P](#) [S10L0A1M](#) [G3-A1AM151NNNN](#) [TH500P00D4](#) [C10O0C1PMJ0](#) [S10L061J](#) [60C22-M7-4-020S](#) [60A00-8-050C](#)  
[60A00-4-050C](#) [60C22-M7-4-040S](#) [G3-0425](#) [S30L081F50](#) [3440SAT6476](#) [60A18-4-090C](#) [S30L081J](#) [M11L001C](#) [M11L0X1P](#)  
[USBM31Q081RMJ4S](#) [USBC20O051JMJS](#) [TW08BLK12](#) [S30L0M1CSJBLK](#) [HF11R11](#) [HG-44MIS000-2654](#) [HG-44MIS000-U-2655](#)  
[4P182F1E55475](#) [TS4A1S00A](#) [BD140D01GR0000](#) [BD150SD4BL1200](#) [3140SAL6475](#) [TW01BLK11](#) [TW01GRY1](#) [ZD4PA203](#)  
[HF44S10UMJ0](#) [TS3N2S00A](#) [TS1R1U00A](#) [TS1R1S09A](#) [TS1D2S00A](#) [HFX45S02](#) [HFX10S00](#) [HF11P11](#) [4R28-2S1E-55-00](#)  
[BD150A01RE0000](#) [BD150D02BK1200](#) [ZD4PA24](#) [ZD4PA22](#) [ZD4PA12](#) [ZD4PA14](#) [J1-00105-S-G](#) [J3R-IT-10K](#)