

ELECTRICAL SPECIFICATIONS

CURRENT CONSUMPTION ----- APPROX. 6mA
 APPLIED VOLTAGE ----- 5V DC ±10%
 LINEARITY (INDEPENDENT) ----- ±3.0%
 LOAD RESISTANCE ----- 100K OHM MIN.
 LEVER ELECTRICAL ANGLE X,Y AXIS ----- 30° MAX.
 LEVER ELECTRICAL ANGLE Z AXIS ----- 60° MAX.
 RESOLUTION ----- ESSENTIALLY INFINITE
 OUPUT TEMPERATURE CHARACTERISTIC ----- BELOW ±2.5% V(OUT)
 INSULATION RESISTANCE ----- OVER 100 MEGA OHMS @ 250VDC.
 DIELECTRIC STRENGTH ----- 1 MINUTE AT 250 VAC
 DRIFT AT CENTER POSITION ----- BELOW ±0.5% V(OUT)
 EMC IMMUNITY ----- 50V/m (80MHZ-1GHZ SINE WAVE)

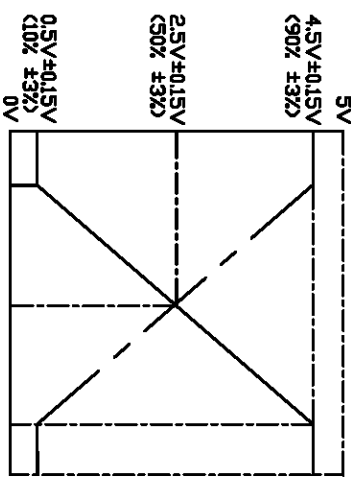
MECHANICAL

RANGE OF OPERATING X,Y AXIS ----- ±15° FROM CENTER
 RANGE OF OPERATING X,Y AXIS ----- ±30° FROM CENTER
 OPERATING FORCE X,Y AXIS ----- APPROX. 5.39 ~10.79 OZ.FORCE
 OPERATING FORCE Z AXIS ----- APPROX. 1.39 ~4.16 OZ./IN FORCE
 OPERATING TEMPERATURE ----- -20°C TO +60°C
 LIFE EXPECTANCY ----- 1 MILLION OPERATIONS
 VIBRATION ----- 10G @ 55HZ
 SHOCK ----- 30G

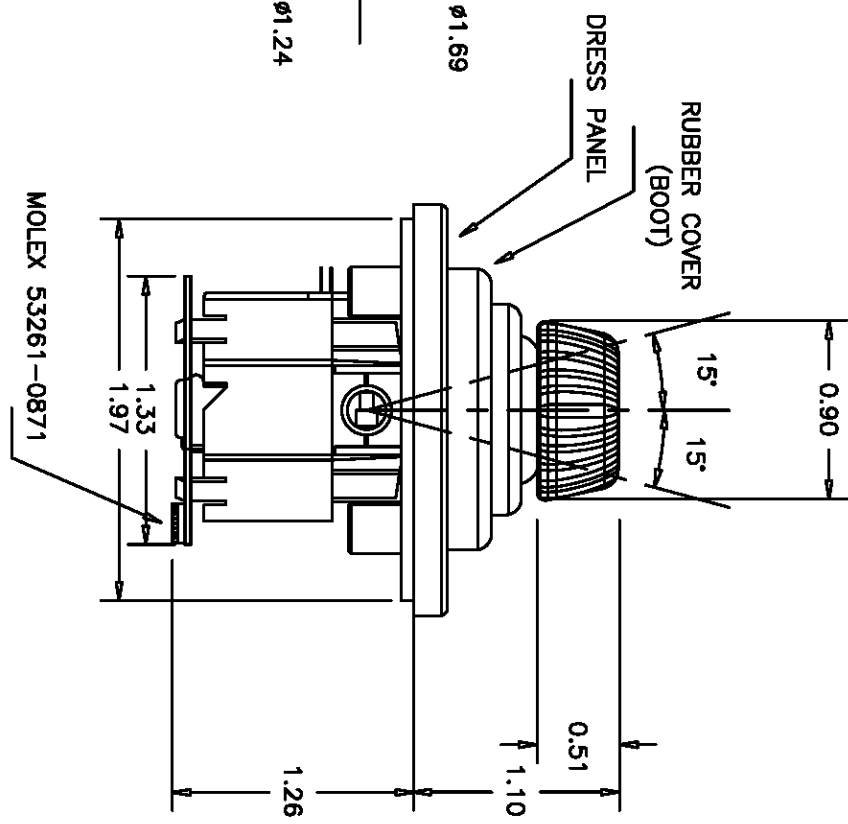
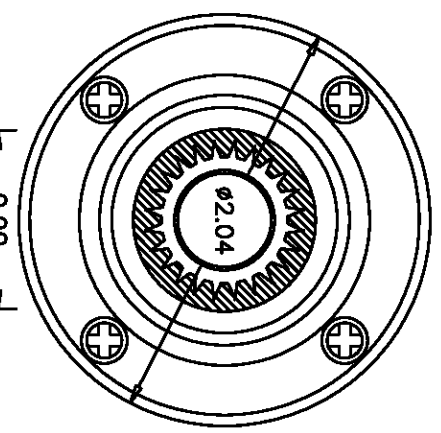
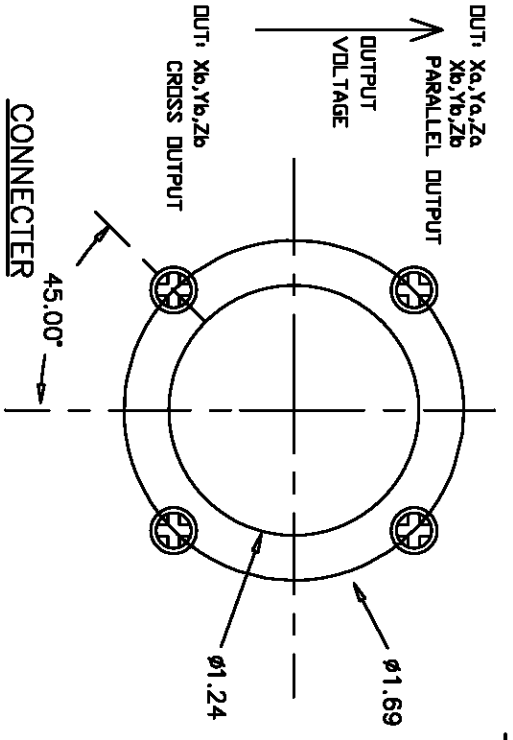
MATERIALS

HOUSING ----- HIGH TEMP. THERMO PLASTIC
 INGRESS PROTECTION ----- IP54

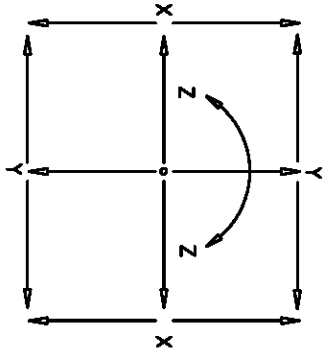
SCHEMATIC



PANEL ARRANGEMENT



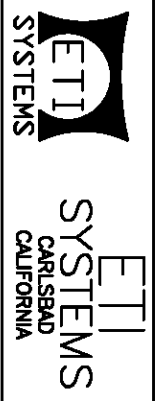
LEVER OPERATION



MOLEX 51021-0800

CONNECTER

SCALE	DATE: 7/01/04
NONE	BY AT
CODE IDENT: 19477	APPRVD



TITLE
 HALL EFFECT
 JOYSTICK

PART NO.
 J30H-XYZ-B

REV.	BY	DATE	P/N	J30H-XYZ-B

X-ON Electronics

Largest Supplier of Electrical and Electronic Components

Click to view similar products for [Input Devices](#) category:

Click to view products by [ETI Systems](#) manufacturer:

Other Similar products are found below :

[80260-08](#) [M11L0A1](#) [M11L0B1M](#) [M21L0H1PX](#) [M41C091P100](#) [80260-00](#) [81521-08](#) [FKB4720-103](#) [84250-26](#) [84980-04](#) [84S-AC1-000](#)
[C10O0C1P](#) [JD-0700EU-2](#) [JM-0800-2](#) [JOY-THUMB](#) [JW-T0100](#) [89498-13](#) [89758-05](#) [89886-26](#) [89941-00](#) [FQ-XT](#) [G3-A1AM151NNNN](#)
[G80-3000LSCEU-2](#) [M11C011B](#) [TH500P00D4](#) [MJ0FGGRY](#) [JM-0800-0](#) [KBCV-4100W](#) [MR2110R5BB](#) [60C22-M7-4-020S](#) [67A-DF-3C-](#)
[060C](#) [84S-BB1-004](#) [81601-26](#) [G8011900LPMUS0](#) [G844420LUBEU0](#) [G84-4700LUCUS-0](#) [89701-26](#) [81485-26](#) [84105-13](#) [V400-W24 5M](#)
[V400-W23 5M](#) [G84-5200LCMEU-2](#) [M11F061P](#) [84Z2029-100](#) [4P182F1D0100](#) [M41L091M](#) [M41L091P](#) [60A00-8-050C](#) [84Z2029-78](#)
[XD2CF1111](#)