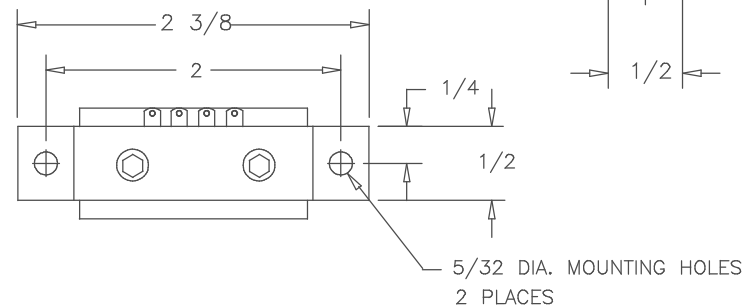
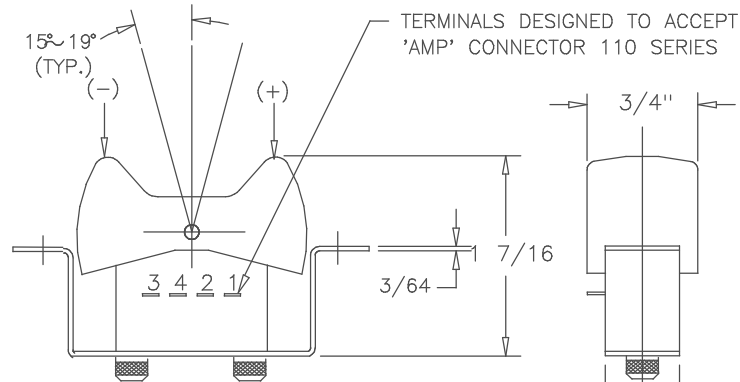


**SPECIFICATIONS**

RESISTANCE -----1K,5K,10K,20K ±15%  
 LINEARITY (INDEPENDENT)-----±3%  
 POWER RATING-----0.1 WATTS  
 ELECTRICAL ANGLE-----30°±5°  
 MECHANICAL ANGLE-----±15° ~ ±19°  
 CENTER RETURN ACCURACY-----50% ±3%  
 RESOLUTION-----ESSENTIALLY INFINITE  
 MAX. WIPER OUTPUT-----1 mA RECOMMENDED, 5mA MAX.  
 OUTPUT SMOOTHNESS-----BELOW 0.2% AGAINST INPUT VOLTAGE  
 CONTACT RESISTANCE VARIATION-----BELOW 5% C.R.V.  
 INSULATION RESISTANCE-----100MEG OHMS @ 500VDC MIN.  
 DIELECTRIC STRENGTH-----1 MINUTE AT 500 VAC  
 STARTING TORQUE-----.15 OZ. IN. ~ .18 OZ. IN.  
 WIPER CURRENT-----BELOW 10 uA  
 WEIGHT-----APPROX. 0.7 OZ.  
 OPERATING TEMPERATURE----- -20°C TO +65°C  
 STOPPER STRENGTH-----OVER 0.03 OZ. IN.  
 VIBRATION-----10 - 55 Hz, 10G.  
 SHOCK-----30G.  
 LIFE EXPECTANCY----- APPROX. 2,000,000 OPERATIONS.

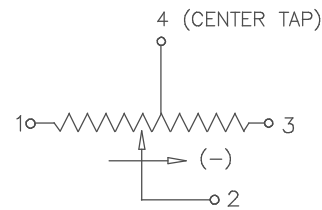
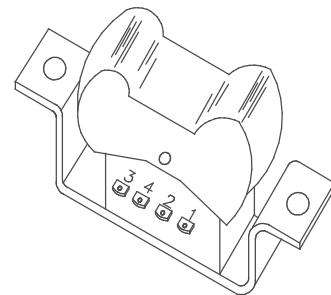
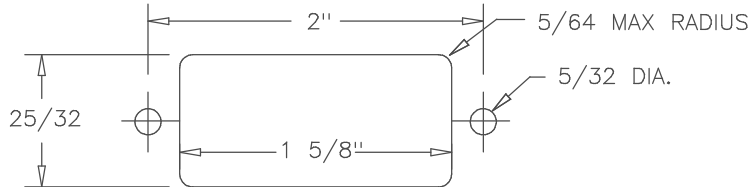
REV.	BY	DATE	P/N
I	AT	11-13-02	J3R
ADDED J3R-IT-1K			



**MATERIALS**

HOUSING-----HIGH TEMP. THERMO PLASTIC  
 TERMINALS-----GOLD PLATED BRASS  
 RESISTANCE ELEMENT-----CONDUCTIVE PLASTIC

**SUGGESTED PANEL LAYOUT**



SCHEMATIC

20K	YES	TO CENTER	J3R-IT-20K
1K	YES	TO CENTER	J3R-IT-1K
1K	NO	TO TERMINAL #1	J3R-E-1K
10K	NO	TO CENTER	J3R-I-10K
5K	NO	TO CENTER	J3R-I-5K
10K	NO	TO TERMINAL #1	J3R-E-10K
5K	NO	TO TERMINAL #1	J3R-E-5K
5K	YES	TO CENTER	J3R-IT-5K
10K	YES	TO CENTER	J3R-IT-10K
RESISTANCE	CENTER TAP	POSITION SPRING RETURNS ROCKER	MODEL

**TOLERANCES**

XX = +/- .010" FRACT. = +/- 1/64"  
 XXX = +/- .005" ANGLES = +/- 1/2"

ALL SPECIFICATIONS SUBJECT TO CHANGE WITHOUT NOTICE.

SCALE	DATE: 3-6-96
	BY
	APPRV'D BT
CODE IDENT:	19477



**ETI SYSTEMS**  
 CARLSBAD CALIFORNIA

**TITLE**  
 ROCKER POT

**PART NO.**  
 J3R

USED ON

## X-ON Electronics

Largest Supplier of Electrical and Electronic Components

*Click to view similar products for [Joysticks](#) category:*

*Click to view products by [ETI Systems](#) manufacturer:*

Other Similar products are found below :

[M11L0A1](#) [C10O0C1P](#) [S10L0A1M](#) [G3-A1AM151NNNN](#) [TH500P00D4](#) [C10O0C1PMJ0](#) [S10L061J](#) [60C22-M7-4-020S](#) [60A00-8-050C](#)  
[60A00-4-050C](#) [60C22-M7-4-040S](#) [G3-0425](#) [S30L081F50](#) [3440SAT6476](#) [60A18-4-090C](#) [S30L081J](#) [M11L001C](#) [M11L0X1P](#)  
[USBM31Q081RMJ4S](#) [USBC20O051JMJS](#) [TW08BLK12](#) [S30L0M1CSJBLK](#) [HF11R11](#) [HG-44MIS000-2654](#) [HG-44MIS000-U-2655](#)  
[4P182F1E55475](#) [TS4A1S00A](#) [BD140D01GR0000](#) [BD150SD4BL1200](#) [3140SAL6475](#) [TW01BLK11](#) [TW01GRY1](#) [ZD4PA203](#)  
[HF44S10UMJ0](#) [TS3N2S00A](#) [TS1R1U00A](#) [TS1R1S09A](#) [TS1D2S00A](#) [HFX45S02](#) [HFX10S00](#) [HF11P11](#) [4R28-2S1E-55-00](#)  
[BD150A01RE0000](#) [BD150D02BK1200](#) [ZD4PA24](#) [ZD4PA22](#) [ZD4PA12](#) [ZD4PA14](#) [J1-00105-S-G](#) [J3R-IT-10K](#)