

THIS DOCUMENT CONTAINS PROPRIETARY DATA OF POLARIS INDUSTRIAL ENTERPRISES, INC. NO DISCLOSURE, REPRODUCTION, OR USE OF ANY PART THERE OF MAY BE MADE EXCEPT BY WRITTEN PERMISSION.

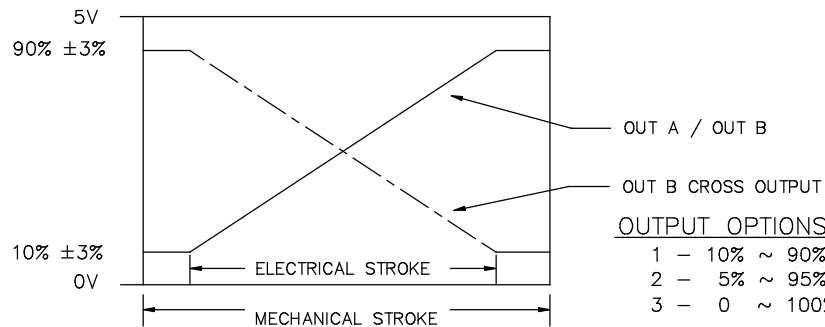
REV.	BY	DATE	APPRVL.	P/N	LHK15-30
------	----	------	---------	-----	----------

GENERAL SPECIFICATION:

CURRENT CONSUMPTION SINGLE OUTPUT ----- WITHIN 15mA
 CURRENT CONSUMPTION DUAL OUTPUT----- WITHIN 30mA
 INDEPENDENT LINEARITY TOL. ----- ±0.5%FS
 MECHANICAL STROKE (MS) ----- APPROX. 34mm
 ELECTRICAL STROKE ----- 30mm±0.5mm
 APPLIED VOLTAGE ----- 5V±10%D.C
 LOAD RESISTANCE ----- 10KOHMS MIN
 EFFECTIVE OUTPUT ----- 10% ±3% ~ 90% ±3% VIN
 OUTPUT TEMPERATURE CHARACT. ----- WITHIN±0.8%VOUT.FS
 OPERATING TEMPERATURE RANGE ----- -40°C ~ +105°C
 STORAGE TEMPERATURE RANGE ----- -40°C ~ +105°C
 STOPPER STRENGTH ----- APPROX. 20N (2kgF)
 FRICTION ----- WITHIN 0.6N(60gF)
 MASS ----- APPROX 44g

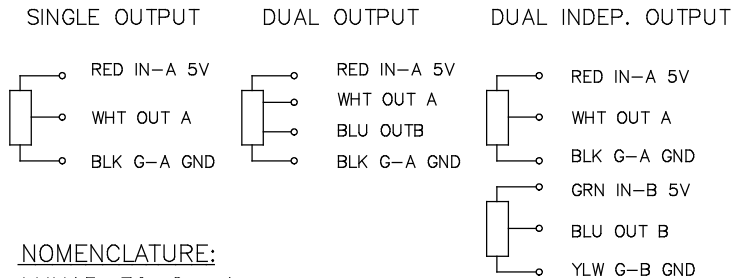
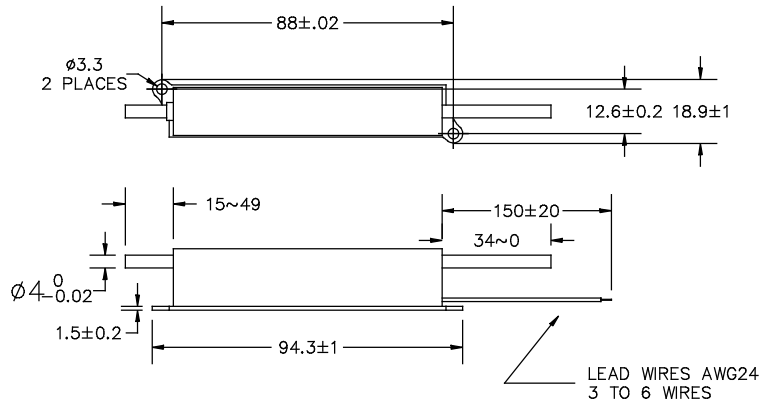
ENVIRONMENTAL SPECIFICATION:

THERMAL SHOCK ----- 5 CYCLES -40°C ~ +105°C
 EXPOSURE TO LOW TEMPERATURE ----- 24 HOURS AT -40°C
 EXPOSURE AT HIGH TEMPERATURES ----- 1,000 HOURS AT +105°C
 VIBRATION ----- 10 ~ 2,000Hz 196m/s.s 12 HOURS
 SHOCK ----- 980m/s.s 6ms (18 TIMES)
 LIFE EXPECTANCY ----- APPROX. 50,000,000 RECIPROCATING MOTIONS
 EMS TOLERANCE ----- 100V/m (80MHz ~ 1GHz 1KHz SIN WAVE
 80% AMPLITUDE MODULATION)
 ESD TOLERANCE ----- ±8KV CONTACT / ±15KV AERIAL DISCHARGE



OUTPUT OPTIONS:

- 1 - 10% ~ 90%
- 2 - 5% ~ 95%
- 3 - 0 ~ 100%



NOMENCLATURE:

LHK15-30-S -1
 -1 OUTPUT OPTION (1,2 OR 3)
 -S OUTPUT TYPE (S, X, P, IX OR IP)
 - SERIES

<p><u>TOLERANCES</u> XX = +/- .010" FRACT. = +/- 1/64" XXX = +/- .005" ANGLES = +/- 1/2" ALL SPECIFICATIONS SUBJECT TO CHANGE WITHOUT NOTICE.</p>	SCALE	DATE: 9-11-13		<p>ETI SYSTEMS CARLSBAD CALIFORNIA</p>	TITLE	<p>PART NO. LHK15-30</p>
	NONE	BY AT			CONTACTLESS	
	CODE IDENT: 19477	APPRV'D			POTENTIOMETER	

X-ON Electronics

Largest Supplier of Electrical and Electronic Components

Click to view similar products for [Linear Displacement Sensors](#) category:

Click to view products by [ETI Systems](#) manufacturer:

Other Similar products are found below :

[9810405](#) [9810421](#) [Z4D-F04A](#) [05282945-012](#) [67010001-000](#) [ZG-RPD11](#) [9810907](#) [9810908](#) [04-0760-0006](#) [LCPL Wiper-01](#) [04-0882-0237](#)
[02560412-006](#) [04-0847-0023](#) [02560618-000](#) [RP12250L223BWB](#) [RP12300L223BWB](#) [E3FC-RP21](#) [E3S-DBP21](#) [E3FC-RN21](#) [E3FC-DP23](#)
[E3FC-DP13 2M](#) [LCPL400-10K](#) [060-3613-02](#) [F38000100](#) [F38000105](#) [F38000205](#) [F38000206](#) [SPS-L035-LATS](#) [SPS-L075-HALS](#) [SPS-](#)
[L225-HALS](#) [SPS-L225-HDLS](#) [02560407-000](#) [02560409-000](#) [02560405-000](#) [02560406-000](#) [02560542-000](#) [02560541-000](#) [02560545-000](#)
[02560992-000](#) [05282946-006](#) [02560395-000](#) [02560389-000](#) [02560391-000](#) [05282947-012](#) [02560398-000](#) [04560950-000](#) [62101011-000](#)
[PT8420-0005-111-1112](#) [E3JM10M4NNUS](#) [E3JM10M4TNNUS](#)