

THIS DOCUMENT CONTAINS PROPRIETARY DATA OF POLARIS INDUSTRIAL ENTERPRISES, INC. NO DISCLOSURE, REPRODUCTION, OR USE OF ANY PART THERE OF MAY BE MADE EXCEPT BY WRITTEN PERMISSION.

| REV. | BY | DATE | APPRVL. | P/N |
|------|----|---------|---------|--------------------|
| B | BT | 2-24-99 | | MW22B-1 WAS ±0.25% |

ELECTRICAL SPECIFICATIONS

RESISTANCE RANGE _____ 100 TO 100,000 OHMS
 RESISTANCE TOLERANCE _____ ± 5%
 INDEPENDENT LINEARITY SEE CHART
 POWER RATING SEE CHART
 ELECTRICAL NOISE SEE CHART
 ELECTRICAL ANGLE SEE CHART
 END RESISTANCE SEE CHART
 RESOLUTION 1 OHM OR 1% MAX.
 INSULATION RESISTANCE SEE CHART
 DIELECTRIC STRENGTH 1000 MEGOHMS MIN. @ 500VDC
 1000 VAC MIN.

MECHANICAL

MECHANICAL ANGLE SEE CHART
 STOP STRENGTH 48 OZ./IN.
 STARTING TORQUE 1.4 OZ. IN. MAX.
 ROTATIONAL LIFE 1,000,000 REVOLUTIONS
 WEIGHT 0.8 OZ.

ENVIRONMENTAL

OPERATING TEMPERATURE -55° TO +105°C
 TEMPERATURE COEFFICIENT SEE CHART
 VIBRATION 10HZ TO 2,000HZ 15G
 MOISTURE RESISTANCE 40°C/95%RH 120 HOURS
 SHOCK 50G 11ms

MATERIALS

HOUSING----- HIGH TEMP. THERMO PLASTIC
 TERMINALS----- GOLD PLATED BRASS
 BUSHING----- BRASS
 SHAFT----- STAINLESS STEEL
 RESISTIVE ELEMENT----- WIREWOUND

NON-STANDARDS AVAILABLE

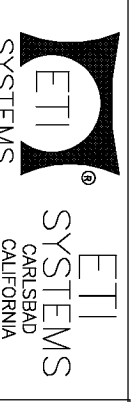
MULTI-GANGED UP TO 6 SECTIONS
 REAR SHAFT EXTENSION
 FRONT SHAFT MODIFICATIONS

RESOLUTION CHART

| RESISTANCE (OHMS) | 50 | 100 | 200 | 500 | 1K | 2K | 5K | 10K | 20K | 50K | 100K |
|--------------------------------|------|------|------|------|------|------|------|------|------|------|------|
| MW22B-1 TURN | 0.60 | 0.50 | 0.40 | 0.30 | 0.25 | 0.20 | 0.20 | 0.16 | | | |
| MW22B-3 TURN | .15 | .12 | .090 | .070 | .056 | .058 | .045 | .036 | .030 | .027 | |
| MW22B-5 TURN | .10 | .08 | .064 | .050 | .040 | .042 | .032 | .026 | .021 | .019 | |
| MW22B-10 TURN | .06 | .05 | .040 | .030 | .025 | .020 | .020 | .016 | .013 | .010 | .009 |
| TEMPERATURE COEFFICIENT PPM/°C | 80 | | | | | | | | | | |
| | 20 | | | | | | | | | | |

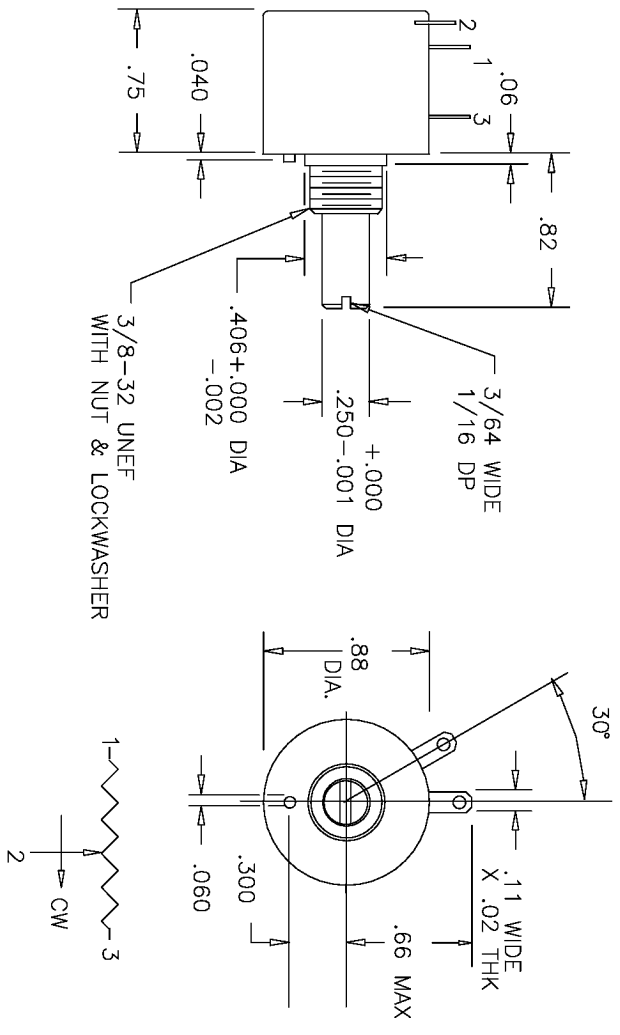
TOLERANCES
 XX = +/- .010" FRACT. = +/- 1/64"
 XXX = +/- .005" ANGLES = +/- 1/2"
 ALL SPECIFICATIONS SUBJECT TO CHANGE WITHOUT NOTICE.

| SCALE | DATE: 4-18-85 |
|-------------------|---------------|
| NONE | BY BT |
| CODE IDENT: 19477 | APPR/VID |



TITLE
 MULTI-TURN
 POTENTIOMETER

PART NO.
 MW22B



| MODEL | ELECTRICAL ANGLE | MECHANICAL ANGLE | LINEARITY INDEPENDENT | POWER RATING |
|----------|------------------|------------------|-----------------------|--------------|
| MW22B-1 | 360°±5° | 360°+10°/-0° | ±0.5% | 0.5WATT |
| MW22B-3 | 1080°±5° | 1080°+10°/-0° | ±0.5% | 1 WATT |
| MW22B-5 | 1800°±5° | 1800°+10°/-0° | ±0.3% | 1 WATT |
| MW22B-10 | 3600°±5° | 3600°+10°/-0° | ±0.25% | 2 WATT |

X-ON Electronics

Largest Supplier of Electrical and Electronic Components

Click to view similar products for [Precision Potentiometers](#) category:

Click to view products by [ETI Systems](#) manufacturer:

Other Similar products are found below :

[578002M9648](#) [70J1G032S202A](#) [176FL1-284](#) [F78SB102-M257](#) [3548H-1AA-103B](#) [485025M9267](#) [MH12B-10L-10K](#) [578005M9656](#)
[72N4N048S203W](#) [RO200SF1C103](#) [114BF2A102-L774](#) [200FL1-199](#) [78FL1-397](#) [78MKV-128](#) [501-0004](#) [501-0018](#) [SE15303-352-T4](#)
[284TCBF103A26A1](#) [RO34SF1B502](#) [200FL1-260](#) [4205R10KL.5](#) [3548H-1AB-502A](#) [157-0237](#) [1521R10KL.3](#) [284TBBK103A26B1](#) [SP22G-](#)
[500](#) [DC22-10-100](#) [JC22S 1K 0.5%](#) [RCL-200](#) [380C2750K](#) [380C2500K](#) [3590P-1-103L](#) [3547S-1AA-202A](#) [534B1250JC](#) [3543S-1-202L](#)
[3545S-1-202L](#) [3543S-1-102L](#) [3543S-1-502L](#) [3545S-1-103L](#) [3549S-2AA-102/102A](#) [P3265](#) [P3270](#) [P3275](#) [P3280](#) [P3285](#) [P3290](#) [AR200KL.25](#)
[6637S-1-102](#) [RV6NAYSD101AP](#) [SP22E-3011-10K](#)