

THIS DOCUMENT CONTAINS PROPRIETARY DATA OF POLARIS INDUSTRIAL ENTERPRISES, INC. NO DISCLOSURE, REPRODUCTION, OR USE OF ANY PART THERE OF MAY BE MADE EXCEPT BY WRITTEN PERMISSION.

REV.	BY	DATE	APPRVL.	P/N	SFCP50A

SPECIFICATIONS

ELECTRICAL

RESISTANCE RANGE	1K TO 500K
RESISTANCE TOLERANCE	±10%
LINEARITY(INDEPENDENT)	±0.5%
ELECTRICAL ANGLE	350°±5°
END RESISTANCE	0.2% MAX.
RESOLUTION	ESSENTIALLY INFINITE
INSULATION RESISTANCE	100MEG OHMS @1000 VDC
DIELECTRIC STRENGTH	1000 VAC
POWER RATING	3.0 WATTS
CONTACT RESIS. VARIATION	BELOW 2% C.R.V.
OUTPUT SMOOTHNESS	LESS THAN 0.1%

MECHANICAL

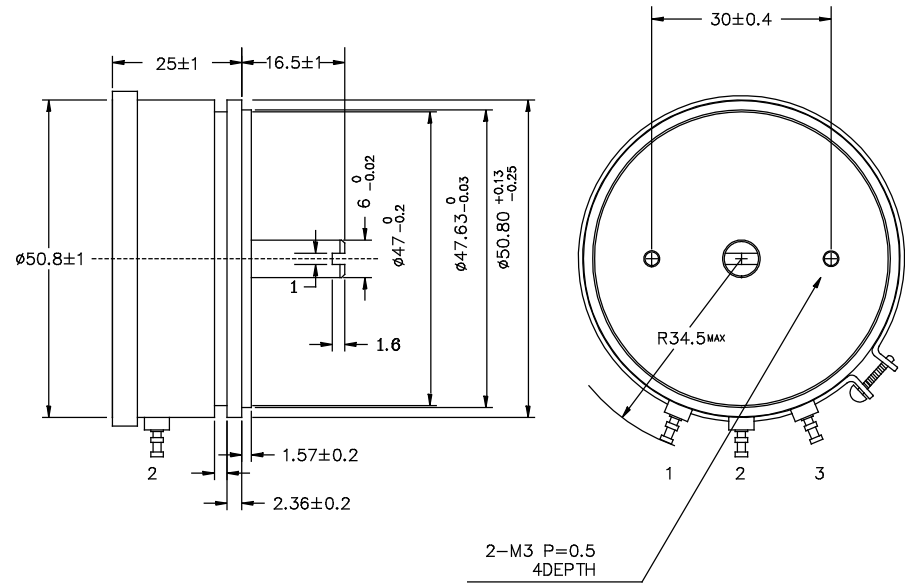
NO OF TURNS	1
MECHANICAL ROTATION	CONTINUOUS
ROTATIONAL LIFE	50,000,000 TURNS
STOP STRENGTH	N/A
TORQUE	2 OZ.IN
WEIGHT	3 OZ.

ENVIRONMENTAL

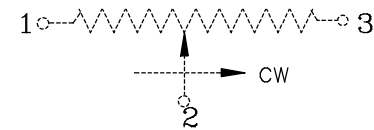
OPERATING TEMPERATURE	-55°C TO +125°C
TEMPERATURE COEFFICIENT	±400 PPM*/C
VIBRATION	10HZ TO 2000HZ 15G
SHOCK	50G
MOISTURE RESISTANCE	40°C 95%RH 120 HOURS
HOUSING	SEALED
SHAFT	O-RING SHAFT SEAL

MATERIALS

HOUSING	ANODIZED ALUMINUM
SHAFT	STAINLESS STEEL
TERMINALS	GOLD PLATED BRASS
RESISTANCE ELEMENT	CONDUCTIVE PLASTIC



SCHEMATIC



ALL DIMMS ARE IN mm
ALL SPECIFICATIONS SUBJECT TO CHANGE WITHOUT NOTICE.

SCALE	DATE:	7-10-99
	BY	
NONE	APPRV'D	
	CODE IDENT:	19477



TITLE
SINGLE TURN
POTENTIOMETER

PART NO.
SFCP50A

X-ON Electronics

Largest Supplier of Electrical and Electronic Components

Click to view similar products for [Potentiometers](#) category:

Click to view products by [ETI Systems](#) manufacturer:

Other Similar products are found below :

[58C2-2](#) [590SX1N32F103SS](#) [591SXJ48S252SC](#) [591SXP56S252SC](#) [591SXP56S503SC](#) [D31409](#) [70B1G048K502X-A](#) [70B1M032S502W](#)
[70B1N056S202W](#) [70B8N056F502W](#) [70J8N048S104U](#) [70L1N040P103W](#) [70L1N048P103X](#) [70L1N048S103W](#) [GA2L040S102UC](#)
[GA2L040S103UC](#) [GS1G044P103UA](#) [GS1N048P103UA](#) [GS1T032S103UA](#) [A43-1500](#) [A43-20K](#) [A47-200K](#) [A4720K](#) [RA20LASD251A](#)
[132-2-0-202](#) [RK14K1220-F25-C0-A103](#) [RK14K1220F25C0C104](#) [RK14K1220-F25-C1-B103](#) [14910FAGJSX10102KA](#)
[14910FBGLFY00103KA](#) [14910AABHSX10103KA](#) [14910FAGJSX10104KA](#) [152-01031](#) [C0342008 5K](#) [P270-109A](#) [J97589](#) [23M728](#)
[RV170F-10-15R1-B500K-0021](#) [RV8NAYS104A](#) [917523A](#) [A43-40](#) [A43-750](#) [A43S-5](#) [A47-15K](#) [A4750K](#) [SPPG048S103U](#)
[SPPG056P103U](#) [SWE-10](#) [GA2G040F103BA](#) [GS1G052F103UA-A](#)