

**ELECTRICAL SPECIFICATIONS**

RESISTANCE RANGE	50 TO 300K
RESISTANCE TOLERANCE	±5%
LINEARITY, INDEPENDENT	SEE CHART
RESOLUTION	SEE CHART
END RESISTANCE	1 OHM OR 1%
ELECTRICAL TRAVEL	SEE CHART
NOISE	100 OHMS MAX
POWER RATING	SEE CHART
INSULATION RESISTANCE	100 MEGOHMS @ 1000 VDC
DIELECTRIC STRENGTH	1000 VAC MIN.

**MECHANICAL**  
 NUMBER OF TURNS ----- SEE CHART  
 MECHANICAL TRAVEL ----- SEE CHART  
 TORQUE, ROTATIONAL ----- 2.8 OZ.IN.  
 SHAFT END PLAY ----- .005 T.I.R.  
 LIFE (SHAFT REVOLUTIONS) ----- SEE CHART  
 STOP STRENGTH ----- 125 OZ.IN. MIN.  
**ENVIRONMENTAL**  
 OPERATING TEMPERATURE ----- -55C TO +105C  
 TEMPERATURE COEFFICIENT ----- SEE CHART  
 VIBRATION ----- 10HZ TO 2000HZ 15G  
 SHOCK ----- 50G 11MS  
 MOISTURE RESISTANCE ----- 40C 95%RH 120 HOURS

**OPTIONS**  
 SPECIAL SHAFTS BALL BEARINGS SPECIAL RESISTANCES  
 SERVO MOUNT SPECIAL LINEARITY DUAL GANGS

**MATERIAL**  
 HOUSING ----- THERMO-SETTING PLASTIC  
 SERVO UID ----- ALUMINUM, ANODIZED  
 SHAFT ----- STAINLESS STEEL  
 TERMINALS ----- GOLD PLATED  
 BEARINGS ----- BUSHING

**% RESOLUTION AND TEMPERATURE COEFFICIENT CHART**

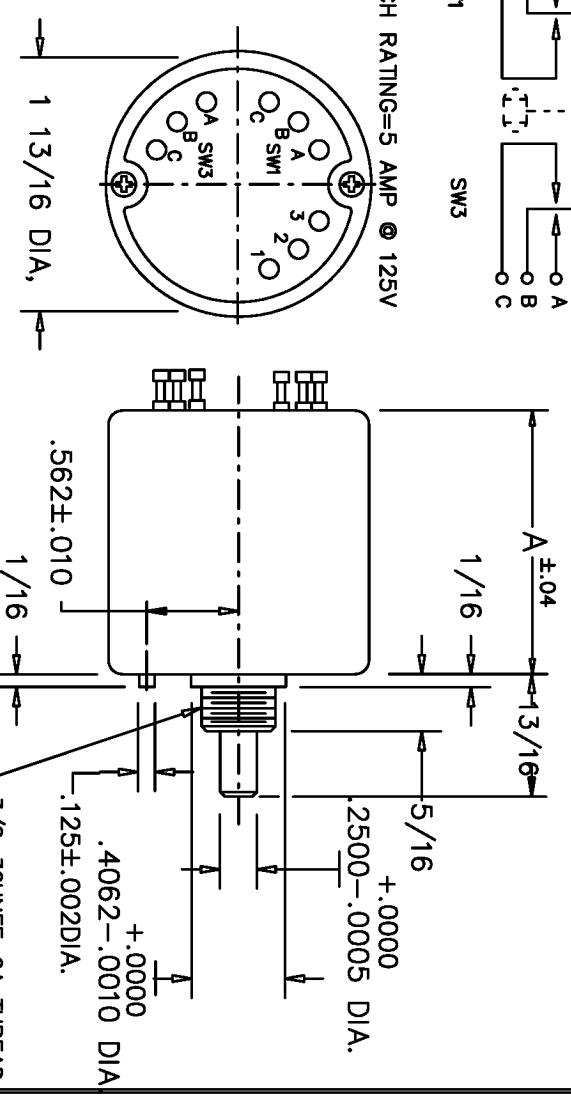
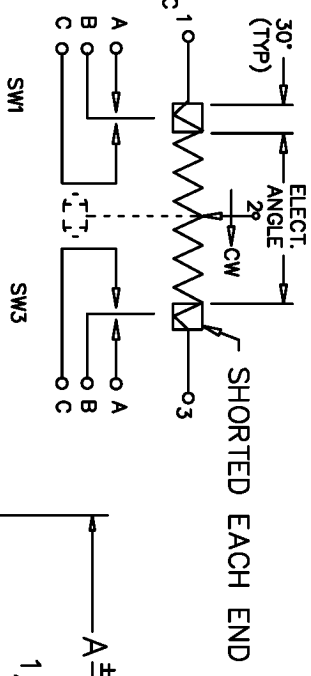
RESIS. MODEL	# SLIDEWIRE (INFINITE RESOLUTION)																		
	1	2	5	10	20	50	100	200	500	1K	2K	5K	10K	20K	50K	100K	200K	300K	
.5	1	2	5	10	20	50	100	200	500	1K	2K	5K	10K	20K	50K	100K	200K	300K	
-3	#	#	#	#	#	.180	.145	.105	.084	.066	.048	.054	.043	.031	.024	.019	.014	.012	
-5	#	#	#	#	#	.108	.078	.061	.048	.035	.039	.031	.024	.017	.013	.009	.008		
-10	#	#	#	#	#	.056	.040	.031	.023	.026	.020	.015	.012	.009	.007	.005	.004	.004	
TEMPCO	80 PPM/°C										20 PPM/°C								

**ORDERING PART NO.**  
 SMR46B - 10 - 1 OR 2 - RESIS.  
 MODEL OR 5 NO. OF SWITCHES (NOTE: -1 HAS ONE SWITCH)

**TOLERANCES**  
 XX = +/- .010" FRACT. = +/- 1/64"  
 XXX = +/- .005" ANGLES = +/- 1/2°  
 ALL SPECIFICATIONS SUBJECT TO CHANGE WITHOUT NOTICE.

SCALE NONE  
 DATE: 10-22-86  
 BY  
 APPROVD BT  
 CODE IDENT: 19477

REV.	BY	DATE	PART NO.
H	AT	1-23-03	SMR46B
			REVISED



THIS DOCUMENT CONTAINS PROPRIETARY DATA OF POLARIS INDUSTRIAL ENTERPRISES, INC. NO DISCLOSURE, REPRODUCTION, OR USE OF ANY PART THERE OF MAY BE MADE EXCEPT BY WRITTEN PERMISSION.

TITLE: WIREWOUND MULTI-TURN POTENTIOMETER  
 CARLSBAD SYSTEMS CALIFORNIA  
 PART NO. SMR46B

ELECTRICAL TRAVEL	MECHANICAL TRAVEL	LINEARITY (IND.)	NO. OF TURNS	POWER RATING @ 40°C	ROTATIONAL LIFE (TURNS)	WEIGHT	A DIM.
1080±5"	1080+10-0"	0.5%	3	2 WATTS	600,000	3.5 OZ.	2.63
1800±5"	1800+10-0"	0.5%	5	2.5 WATTS	1,000,000	3.5 OZ.	2.63
3600±5"	3600+10-0"	0.25%	10	5 WATTS	2,000,000	5.0 OZ.	3.31

## X-ON Electronics

Largest Supplier of Electrical and Electronic Components

*Click to view similar products for [Precision Potentiometers](#) category:*

*Click to view products by [ETI Systems](#) manufacturer:*

Other Similar products are found below :

[578002M9648](#) [70J1G032S202A](#) [176FL1-284](#) [F78SB102-M257](#) [3548H-1AA-103B](#) [485025M9267](#) [MH12B-10L-10K](#) [578005M9656](#)  
[72N4N048S203W](#) [RO200SF1C103](#) [114BF2A102-L774](#) [200FL1-199](#) [78FL1-397](#) [78MKV-128](#) [501-0004](#) [501-0018](#) [SE15303-352-T4](#)  
[284TCBF103A26A1](#) [RO34SF1B502](#) [200FL1-260](#) [3548H-1AB-502A](#) [157-0237](#) [284TBBK103A26B1](#) [DC22-10-100](#) [JC22S 1K 0.5%](#)  
[MW22B-2200-500](#) [122S1501](#) [RCL-100](#) [RCL-200](#) [3590P-4-503L](#) [380C2750K](#) [157S202MB9002](#) [157S102MB9002](#) [15A31B10](#) [380C2500K](#)  
[SP22E-100K](#) [AR300KL.25](#) [AR2KL.25](#) [AR1KL.25](#) [AR500KL.25](#) [MC6CX1A502X001](#) [7286R100L.25](#) [7286R20KL.25](#) [73JB100<](#) [6638S-1-](#)  
[103](#) [282TCBS103A25B1](#) [3590P-1-103L](#) [7276R2KL.25](#) [3500S-2-500L](#) [SP22D-1K](#)