

General Description

The EA8212F is a 2A buck regulator, designed to operate from 4.5V to 18V input voltage range. Built-in low $R_{DS(ON)}$ high/low side Power-MOSFETS not only reduce external components and has up to 95% efficiency, ideal for 2A output current applications. The EA8212F is designed to take into account the light load mode operation. At output loading 20mA condition, the efficiency up to 92%. The EA8212F has complete protection functions, including cycle-by-cycle current limit, short circuit protection, OTP and UVLO protection. The internal compensation design not only allows users to more simplified application, and can reduce the cost of external components. The EA8212F is available in the SOT-23-6 package and easy to use.

Features

- ▶ Built-in Low $R_{DS(ON)}$ Power-MOSFETS
- ▶ Efficiency Up to 96%
- ▶ Light Load Efficiency Up to 92%
- ▶ 4.5V to 18V Input Voltage Range
- ▶ Output Adjustable Down to 0.9V
- ▶ 2A Continuous Load Current
- ▶ Fixed 500KHz Switching Frequency
- ▶ Internal Compensation
- ▶ Cycle-by-Cycle Current Limit
- ▶ Auto Recovery Hiccup Mode Short Circuit Protection
- ▶ Input UVLO Protection
- ▶ Auto Recovery OTP Protection
- ▶ Available in SOT-23-6 Package

Applications

- ▶ Distributed Power Systems
- ▶ Netcom Products
- ▶ LCD TVs and Flat TVs
- ▶ Notebooks



Pin Configurations



Absolute Maximum Ratings

Parameter	Value
Input Voltage (V_{PWR})	-0.3V to +19V
RUN Pin Input Voltage (V_{RUN})	-0.3V to +19V
BOOT Pin Voltage (V_{BOOT})	$V_{SWITCH}-0.3V$ to $V_{SWITCH}+6V$
SWITCH Pin Voltage (V_{SWITCH})	-0.3V to +19V
FBK Pin Voltage (V_{FBK})	-0.3V to +6V
Ambient Temperature operating Range (T_A)	-40°C to +85°C
Maximum Junction Temperature (T_{Jmax})	+150°C
Lead Temperature (Soldering, 10 sec)	+260°C
Storage Temperature Range (T_S)	-65°C to +150°C

Note (1): Stresses beyond those listed under "Absolute Maximum Ratings" may cause permanent damage to the device. Exposure to "Absolute Maximum Ratings" conditions for extended periods may affect device reliability and lifetime.

Package Thermal Characteristics

Parameter	Value
SOT-23-6 Thermal Resistance (θ_{JC})	125°C/W
SOT-23-6 Thermal Resistance (θ_{JA})	250°C/W
SOT-23-6 Power Dissipation at $T_A=25^\circ\text{C}$ (P_{Dmax})	0.5W

Note (1): P_{Dmax} is calculated according to the formula: $P_{Dmax}=(T_{JMAX}-T_A)/\theta_{JA}$.

Recommended Operating Conditions

Parameter	Value
Input Voltage (V_{PWR})	+4.5V to +18V
RUN Pin Input Voltage (V_{RUN})	-0.3V to +18V
Output Voltage (V_{OUT})	+0.9V to +12V
Junction Temperature Range (T_J)	-40°C to +125°C

Electrical Characteristics
 $V_{PWR}=12V$, $T_A=25^{\circ}C$, unless otherwise noted

Parameter	Symbol	Test Conditions	Min	Typ	Max	Unit
Input Voltage	V_{PWR}		4.5		18	V
Shutdown Supply Current	I_{SD}	$V_{RUN} = 0V$		2	10	μA
Quiescent Current	I_Q	$V_{RUN} = 2V$, $V_{FBK} = 105\% V_{REF}$, $I_{LOAD} = 0A$		370	600	μA
UVLO Threshold	V_{UVLO}	V_{PWR} Rising		4.2		V
UVLO Hysteresis	$V_{UV-HYST}$			300		mV
Output Load Current	I_{LOAD}				2	A
Reference Voltage	V_{REF}	$4.5V \leq V_{PWR} \leq 18V$	0.588	0.6	0.612	V
Switching Frequency	F_{SW}		400	500	600	KHz
Input OVP Voltage	V_{OVP}			20		V
High Side MOSFET On-Resistance	$R_{DS(ON)-HM}$			150		m Ω
Low Side MOSFET On-Resistance	$R_{DS(ON)-LM}$			90		m Ω
High Side MOSFET Current Limit	I_{LIM-HM}		2.4			A
High Side MOSFET Leakage Current	$I_{LEAK-HM}$	$V_{RUN} = 0V$, $V_{SWITCH} = 0V$		1	10	μA
RUN Pin Input Low Voltage	V_{RUN-L}				0.4	V
RUN Pin Input High Voltage	V_{RUN-H}		1.5			V
Maximum Duty Cycle	D_{MAX}	$V_{FBK} = 0.5V$		95		%
High Side MOSFET Minimum On Time	T_{ONMIN}			70		ns
Internal Soft-Start Time	t_{SS}			1		ms
Thermal Shutdown Threshold	T_{OTP}			150		$^{\circ}C$
Thermal Shutdown Hysteresis	T_{HYST}			20		$^{\circ}C$

Note (1): MOSFET on-resistance specifications are guaranteed by correlation to wafer level measurements.

(2): Thermal shutdown specifications are guaranteed by correlation to the design and characteristics analysis.

Application Circuit Diagram

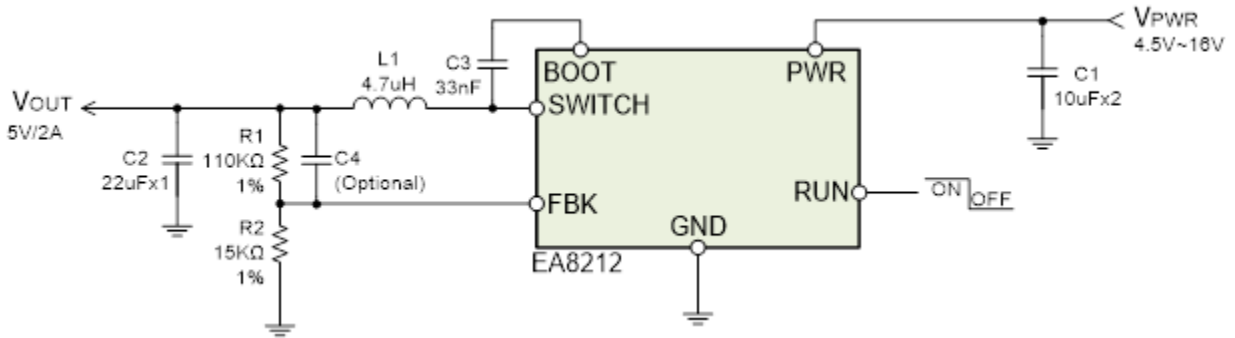


Figure 2. Typical application circuit diagram

Ordering Information

Part Number	Package Type	Packing Information
EA8212FT6R	SOT-23-6	Tape & Reel / 3000

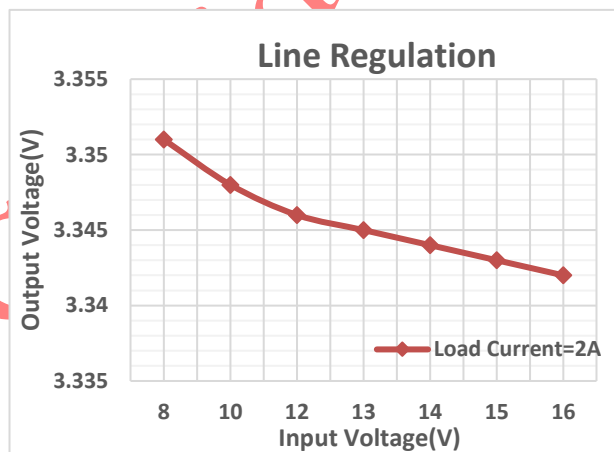
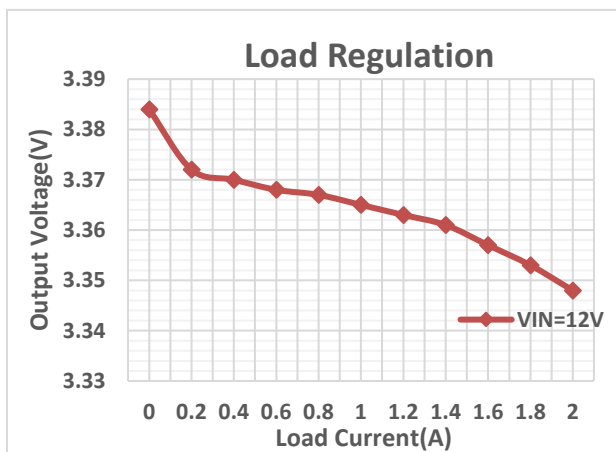
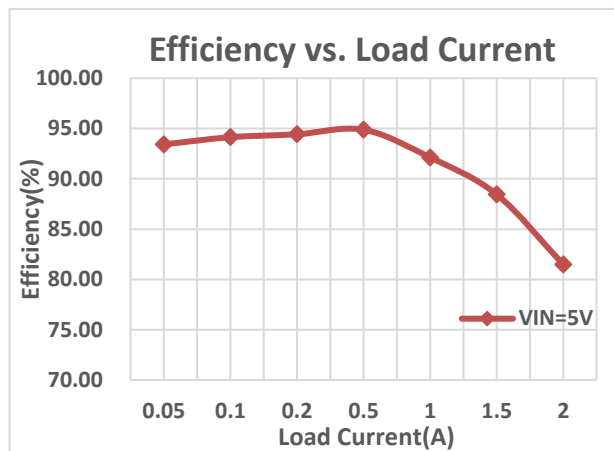
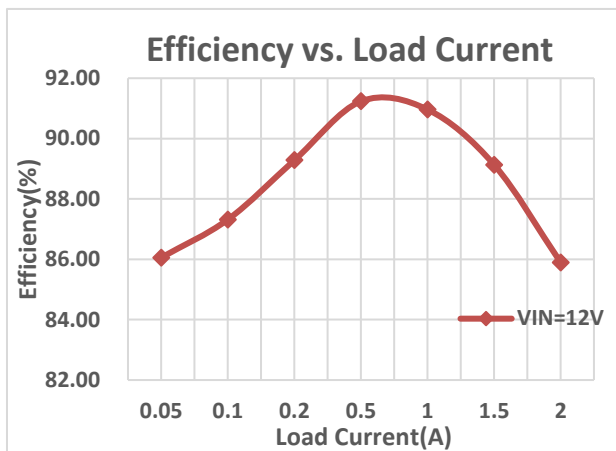
Note (1): "T6": Package type code.

(2): "R": Tape & Reel.

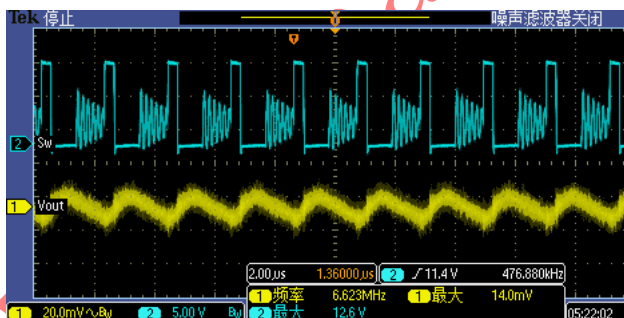
Everanalog Confidential

Typical Operating Characteristics

$V_{PWR}=12V$, $V_{OUT}=3.3V$, $L1=6.8\mu H$, $C1=10F \times 2$, $C2=22\mu F$, $T_A=25^\circ C$, unless otherwise noted

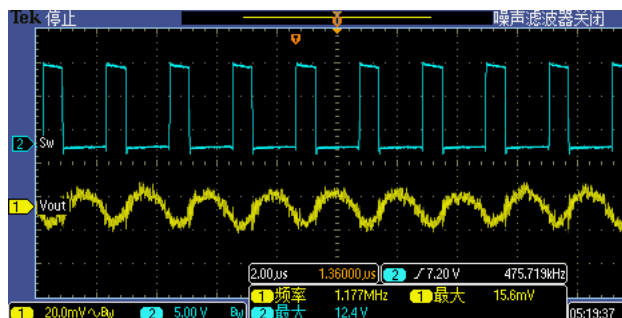


CH1: $V_{OUT}(AC)$ CH2: V_{SW}



DCM Mode Waveform

CH1: $V_{OUT}(AC)$ CH2: V_{SW}



CCM Mode Waveform

Application Information

Enable Control

The EA8212F use RUN pin to control the regulator turns on / turns off. When the RUN pin input voltage is higher than 1.5V, the EA8212F enters the operating mode. Drive the RUN pin input voltage lower than 0.4V to ensure the EA8212F into shutdown mode, as shown in Figure3. When the device works in the shutdown mode, the shutdown supply current is less than 10uA. The EA8212F also provides automatic startup function as shown in Figure 4. Connect RUN pin and PWR pin with a 150KΩ resistor, when the PWR supply input voltage increasing and higher than RUN pin threshold voltage, the EA8212F will enter operating mode automatically.

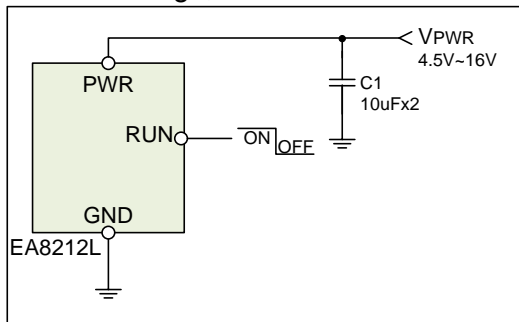


Figure 3. Enable control by RUN pin voltage

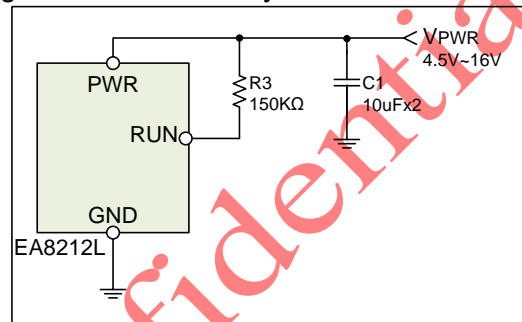


Figure 4. Automatic startup application circuit

Output Voltage Setting

The EA8212F output voltage can be set via a resistor divider (R1, R2). The output voltage is calculated by following equation:

$$V_{OUT} = 0.6 \times \frac{R1}{R2} + 0.6 \text{ V}$$

Taking into account the loop stability, R1 resistance value must be greater than 100KΩ. The following table lists common output voltage and the corresponding R1, R2 resistance value for reference.

Output Voltage	R1 Resistance	R2 Resistance	Tolerance
5V	220KΩ	30KΩ	1%
3.3V	510KΩ	110KΩ	1%
1.8V	200KΩ	100KΩ	1%
1.2V	100KΩ	100KΩ	1%

Input / Output Capacitors Selection

The input capacitors are used to suppress the noise amplitude of the input voltage and provide a stable and clean DC input to the device. Because the ceramic capacitor has low ESR characteristic, so it is suitable for input capacitor use. It is recommended to use X5R or X7R MLCC capacitors in order to have better temperature performance and smaller capacitance tolerance. In order to suppress the output voltage ripple, the MLCC capacitor is also the best choice. The suggested part numbers of input / output capacitors are as follows:

Vendor	Part Number	Capacitance	Edc	Parameter	Size
TDK	C2012X5R1C106K	10uF	16V	X5R	0805
TDK	C3216X5R1E106K	10uF	25V	X5R	1206
TDK	C2012X5R0J226K	22uF	6.3V	X5R	0805
TDK	C3216X5R1A226M	22uF	10V	X5R	1206

Output Inductor Selection

The output inductor selection mainly depends on the amount of ripple current through the inductor ΔI_L . Large ΔI_L will cause larger output voltage ripple and loss, but the user can use a smaller inductor to save cost and space. On the contrary, the larger inductance can get smaller ΔI_L and thus the smaller output voltage ripple and loss. But it will increase the space and the cost. The inductor value can be calculated as:

$$L = \frac{V_{PWR} - V_{OUT}}{\Delta I_L \times F_{SW}} \times \frac{V_{OUT}}{V_{PWR}}$$

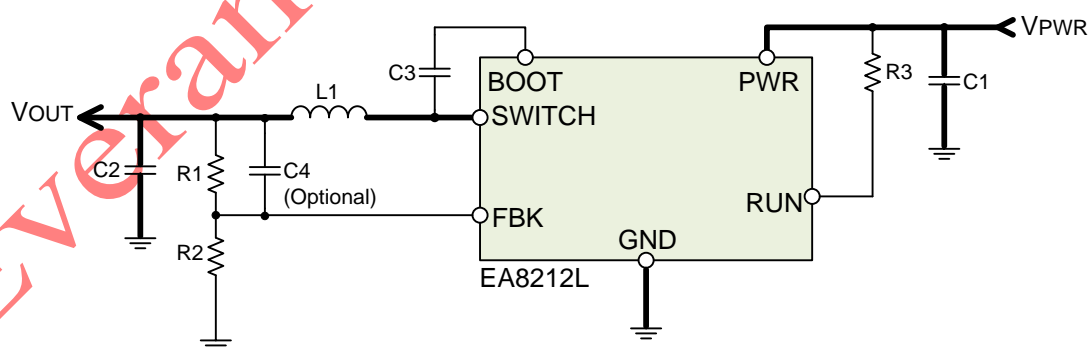
For most applications, 4.7uH to 10uH inductors are suitable for EA8212F. The suggested part numbers of output inductors are as follows:

Vendor	Part Number	Inductance	DCR (Max.)	Saturation Current	Dimensions (mm) (WxLxH)
SUMIDA	CDRH8D38-4R7	4.7uH	29mΩ	4A	8x8x3.8
SUMIDA	CDRH8D43R-6R8	6.8uH	29.8mΩ	4.2A	8.3x8.5x4.5

PCB Layout Recommendations

For EA8212F PCB layout considerations, please refer to the following suggestions in order to get good performance.

- ▶ High current path traces (shown as Figure 5.) need to be widened.
- ▶ Place the input capacitors as close as possible to the PWR pin to reduce noise interference.
- ▶ Keep the feedback path (from V_{OUT} to FBK) away from the noise node (ex. SWITCH).
- ▶ SWITCH is a high current noise node. Complete the layout by using short and wide traces.

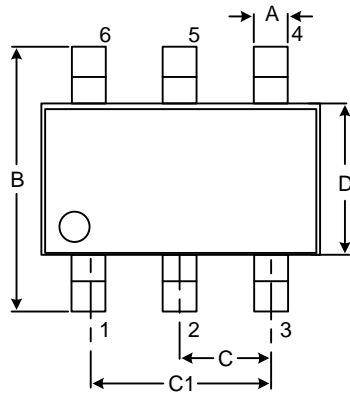


* Bold lines indicate high current paths

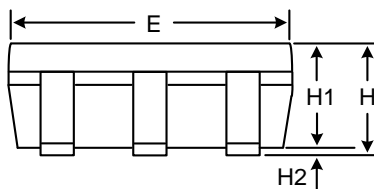
Figure 5. Recommended high current traces layout guide

Package Information

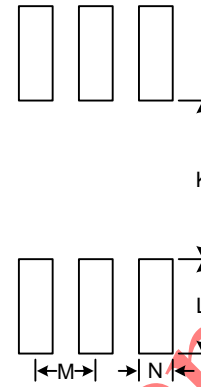
SOT-23-6 Package



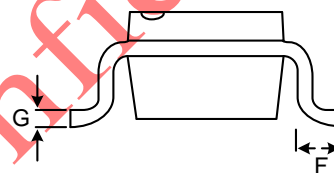
Top View



Side View



Recommended Layout Pattern



Front View

Unit: mm

Symbol	Dimension		Symbol	Dimension Typ
	Min	Max		
A	0.25	0.52	K	1.40
B	2.59	3.01	L	1.40
C	0.85	1.05	M	0.95
C1	1.70	2.10	N	0.65
D	1.40	1.80		
E	2.70	3.10		
F	0.30	0.62		
G	0.08	0.25		
H	0.89	1.35		
H1	0.89	1.20		
H2	0.00	0.15		

X-ON Electronics

Largest Supplier of Electrical and Electronic Components

Click to view similar products for [Switching Controllers](#) category:

Click to view products by [Everanalog](#) manufacturer:

Other Similar products are found below :

[NCP1218AD65R2G](#) [NCP1244BD065R2G](#) [NCP1336ADR2G](#) [NCP6153MNTWG](#) [NCP81101BMNTXG](#) [NCP81205MNTXG](#) [SJE6600](#)
[AZ7500BMTR-E1](#) [SG3845DM](#) [NCP1250BP65G](#) [NCP4204MNTXG](#) [NCP6132AMNR2G](#) [NCP81102MNTXG](#) [NCP81206MNTXG](#)
[NCP1240AD065R2G](#) [NCP1240FD065R2G](#) [NCP1361BABAYSNT1G](#) [NCP1230P100G](#) [NX2124CSTR](#) [SG2845M](#) [NCP1366BABAYDR2G](#)
[NCP81101MNTXG](#) [NCP81174NMNTXG](#) [NCP4308DMTTWG](#) [NCP4308AMTTWG](#) [NCP1366AABAYDR2G](#) [NCP1251FSN65T1G](#)
[NCP1246BLD065R2G](#) [MB39A136PFT-G-BND-ERE1](#) [NCP1256BSN100T1G](#) [LV5768V-A-TLM-E](#) [NCP1365BABCYDR2G](#)
[NCP1365AABCYDR2G](#) [NCP1246ALD065R2G](#) [AZ494AP-E1](#) [CR1510-10](#) [NCP4205MNTXG](#) [XRP6141ELTR-F](#) [RY8017](#) [LP6260SQVF](#)
[LP6298QVF](#) [ISL6121LIB](#) [ISL6225CA](#) [ISL6244HRZ](#) [ISL6268CAZ](#) [ISL6315IRZ](#) [ISL6420AIAZ-TK](#) [ISL6420AIRZ](#) [ISL6420IAZ](#)
[ISL6421ERZ](#)