



PART NO.: 12-21VYC/TR8

Device Number : DSE-121-003 REV. 1.3

**Chip LEDs with Right Angle Lens**

ECN : \_\_\_\_\_ Page: 1/8

**Features :**

- Package in 8mm tape on 7" diameter reel.
- Compatible with automatic placement equipment.
- Compatible with infrared and vapor phase reflow solder process.
- Mono-color type.

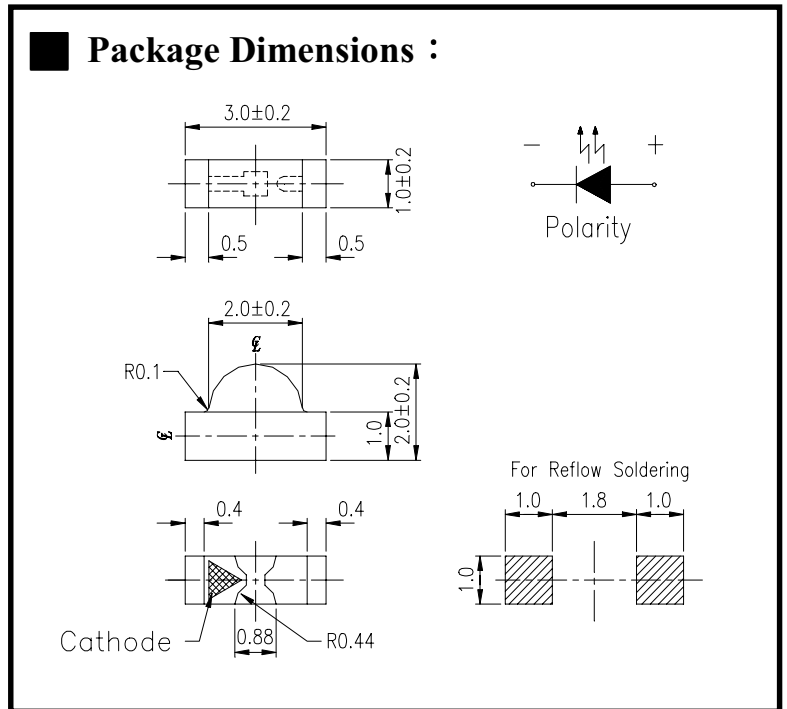
**Descriptions :**

- The 12-21 SMD Taping is much smaller than leaded components, thus enable smaller board size, higher packing density, reduced storage space and finally smaller equipment to be obtained.
- Besides, lightweight makes them ideal for miniature application, etc.

**Applications :**

- Automotive: backlighting in dashboard and switch.
- Telecommunication: indicator and backlighting in telephone and fax.
- Flat backlight for LCD, switch and symbol.
- General use.

**Package Dimensions :**



**Notes :**

Tolerances Unless Dimension ± 0.1mm  
 Angle ± 0.5°  
 Unit = mm

PART NO	Chip		Lens Color
	Material	Emitted Color	
12-21 VYC/TR8	GaAsP/GaP	Yellow	Water Clear

Office: NO. 25, Lane 76, Sec.3, Chung Yang Rd., Tucheng 236, Taipei, Taiwan, R.O.C.  
 TEL: 886-2-2267-2000, 2267-9936  
 FAX: 886-2-2267-6244, 2267-6189, 2267-6306  
<http://www.everlight.com>



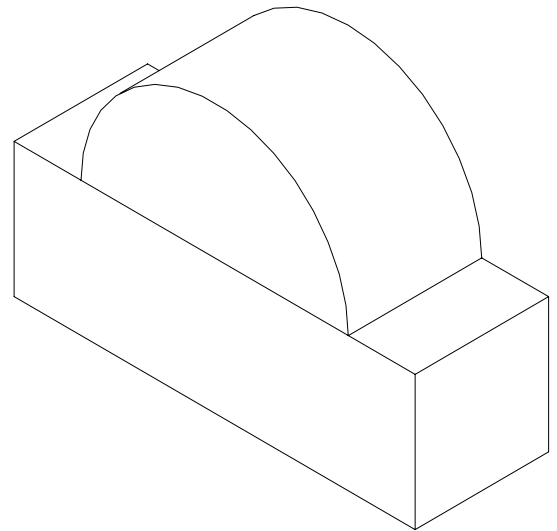
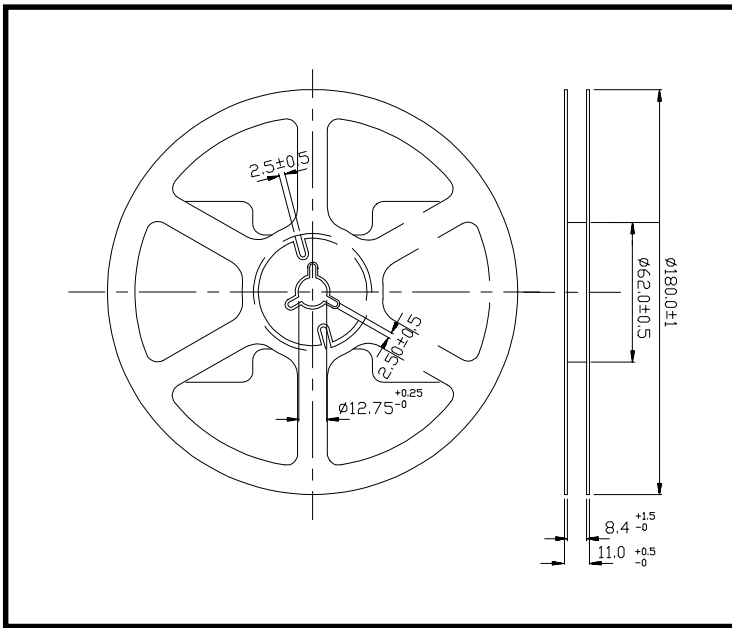
PART NO.: 12-21VYC/TR8

Device Number : DSE-121-003 REV. 1.3

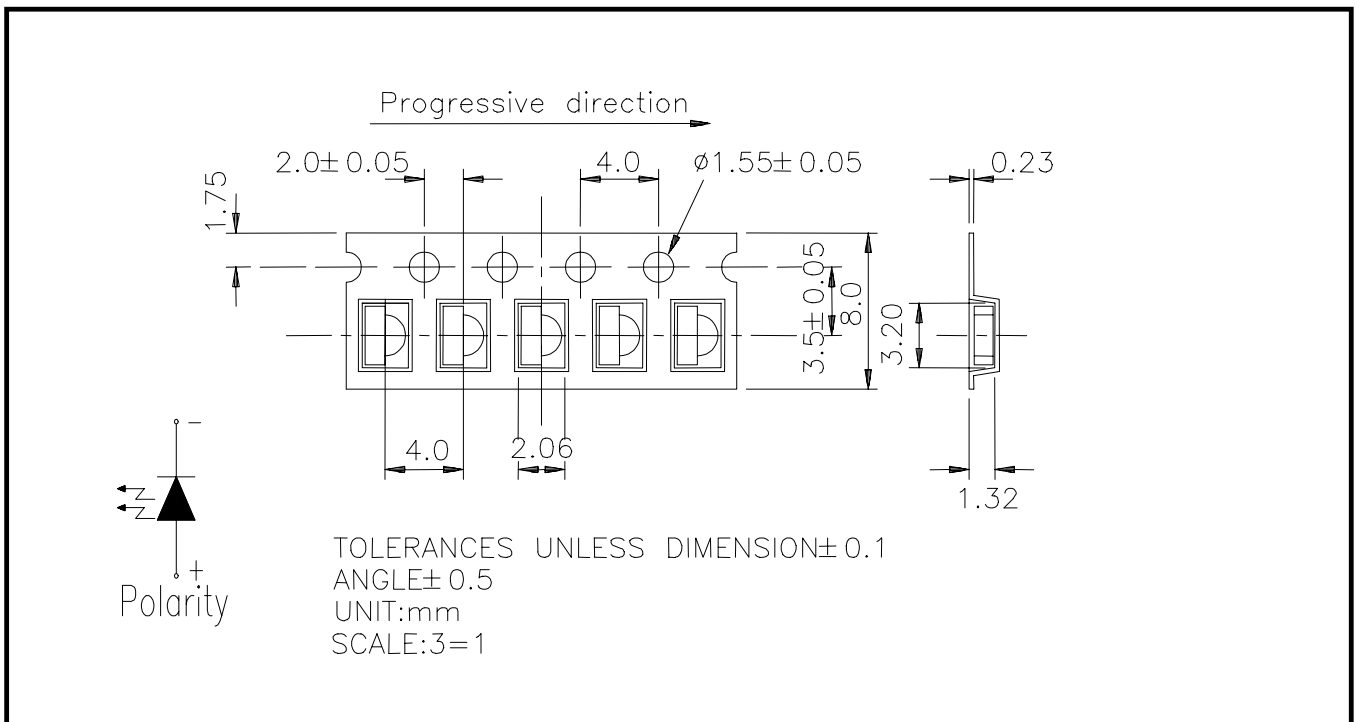
*Chip LEDs with Right Angle Lens*

ECN : \_\_\_\_\_ Page: 2/8

■ Package Dimensions :



■ Loaded quantity per reel 3000 pcs/reel :





PART NO.: 12-21VYC/TR8

Device Number : DSE-121-003 REV. 1.3

*Chip LEDs with Right Angle Lens*

ECN : \_\_\_\_\_ Page: 3/8

■ **Absolute Maximum Ratings at Ta = 25°C**

Parameter	Symbol	Rating	Unit
Reverse Voltage	VR	5	V
Forward Current	IF	30	mA
Operating Temperature	Topr	-40 ~ +85	°C
Storage Temperature	Tstg	-40 ~ +90	°C
Soldering Temperature	Tsol	260 (for 5 second)	°C
Power Dissipation	Pd	100	mW
Peak Forward Current(Duty 1/10 @ 1KHz)	IF(Peak)	160	mA

■ **Electronic Optical Characteristics :**

Parameter	Symbol	Min.	Typ.	Max.	Unit	Condition
Luminous Intensity	IV	4.5	6.0	-----	mcd	IF=20mA
Viewing Angle	2θ 1/2	-----	120	-----	deg	IF=20mA
Peak Wavelength	λ p	-----	585	-----	nm	IF=20mA
Dominant Wavelength	λ d	-----	590	-----	nm	IF=20mA
Spectrum Radiation Bandwidth	Δ λ	-----	35	-----	nm	IF=20mA
Forward Voltage	VF	1.7	2.0	2.4	V	IF=20mA
Reverse Current	IR	-----	-----	10	μ A	VR=5V



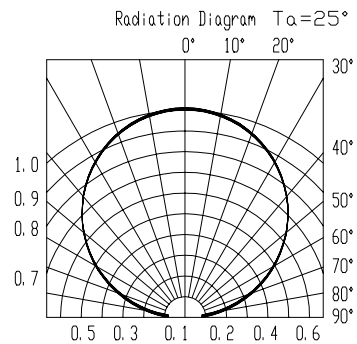
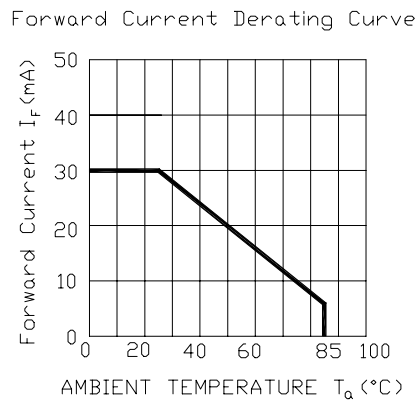
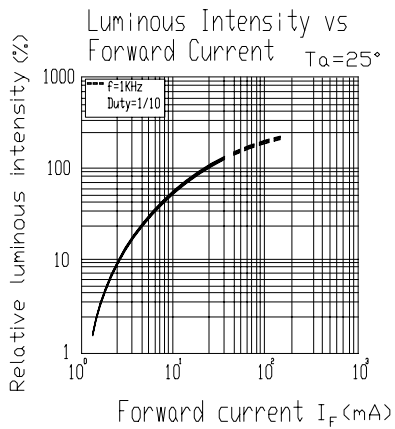
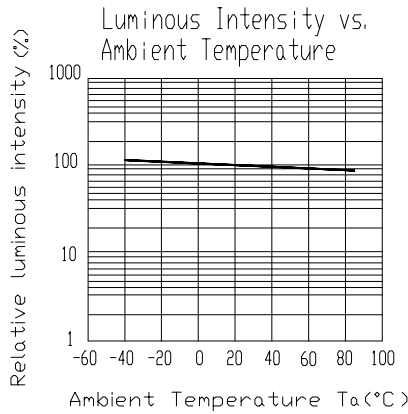
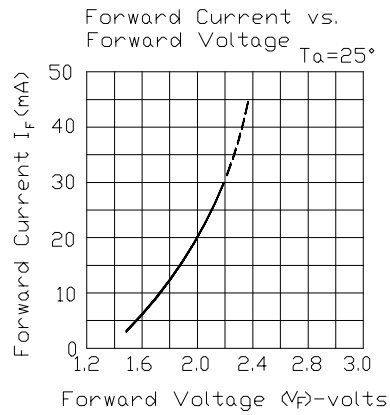
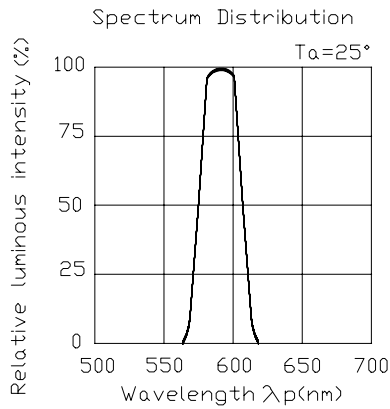
PART NO.: 12-21VYC/TR8

Device Number : DSE-121-003 REV. 1.3

*Chip LEDs with Right Angle Lens*

ECN : \_\_\_\_\_ Page: 4/8

■ Typical Electro-Optical Characteristic Curves





PART NO.: 12-21VYC/TR8

Device Number : DSE-121-003 REV. 1.3

*Chip LEDs with Right Angle Lens*

ECN : \_\_\_\_\_ Page: 5/8

■ Reliability Test Items And Conditions

NO	Item	Test Conditions	Test Hours/Cycle	Sample Size	Ac/Re
1	Solder Heat	TEMP : 260°C ± 5 °C	5 SEC	76 PCS	0/1
2	Temperature Cycle	H : +85°C 30min ∫ 5 min L : -55°C 30min	50 CYCLES	76 PCS	0/1
3	Thermal Shock	H : +100°C 5min ∫ 10 sec L : -10°C 5min	50 CYCLES	76 PCS	0/1
4	High Temperature Storage	TEMP : 100°C	1000 HR.	76 PCS	0/1
5	Low Temperature Storage	TEMP : -55°C	1000 HR.	76 PCS	0/1
6	DC Operating Life	IF = 20 mA	1000 HR.	76 PCS	0/1
7	High Temperature / High Humidity	85°C/RH85%	1000 HR.	76 PCS	0/1







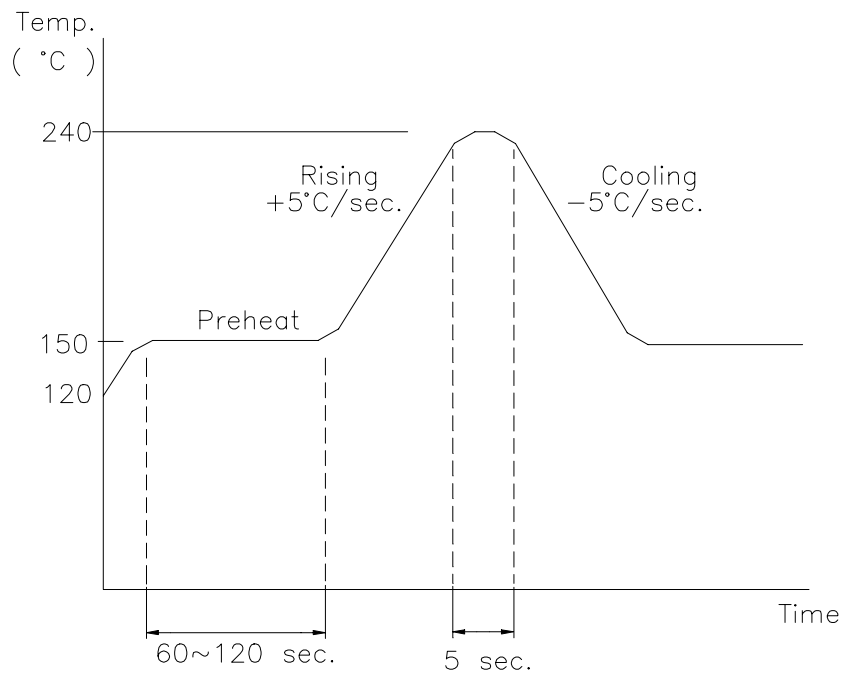
PART NO.: 12-21VYC/TR8

Device Number : DSE-121-003 REV. 1.3

**Chip LEDs with Right Angle Lens**

ECN : ..... Page: 8/8

■ Reflow Temp. / Time :





## X-ON Electronics

Largest Supplier of Electrical and Electronic Components

*Click to view similar products for [Standard LEDs - SMD category](#):*

*Click to view products by [Everlight manufacturer](#):*

Other Similar products are found below :

[LTST-C190KYKT](#) [LTST-C19GD2WT](#) [LTST-N683GBEW](#) [LTW-170ZDC](#) [LTW-M140SZS40](#) [598-8110-100F](#) [598-8170-100F](#) [598-8610-202F](#) [AAAF5060QBFSEEZGS](#) [HLMA-QG00-S0021](#) [ALMD-LB36-SV002](#) [APT1608QGW](#) [EAST2012YA0](#) [EASV1803BA0](#) [LG M67K-H1J2-24-0-2-R18-Z](#) [SML-512VWT86A](#) [SML-LX0606SISUGC/A](#) [SML-LXL1307SRC-TR](#) [SML-LXR851SIUPGUBC](#) [LT1ED53A](#) [AM27ZGC03](#) [APB3025SGNC](#) [APFA3010SURKCGKQBDC](#) [APHK1608VGCA](#) [APT2012QGW](#) [CLX6D-FKB-CN1R1H1BB7D3D3](#) [LTST-008BGEW](#) [LTST-C250KGKT](#) [LTW-010DCG](#) [LTW-020ZDCG](#) [LTW-21TS5](#) [LTW-220DS5](#) [598-8330-117F](#) [SML-LX0402IC-TR](#) [CMDA20AYAA7D1S](#) [CMDA16AYDR7A1X](#) [91-21SYGD/S530-E2/TR7](#) [598-8040-100F](#) [598-8070-100F](#) [598-8140-100F](#) [598-8610-200F](#) [EAST2012GA0](#) [EAPL3527GA5](#) [SML-LXL1209SYC/ATR](#) [EAST2012RA0](#) [EAST1608RGBAO](#) [CMD91-21VRC/TR7](#) [SML-LXR851SGSIC-TR](#) [SML-512PWT86A](#) [SMF-2432GYC-TR](#)