



PART NO.: 12-22 SDRUGC/S530-A2/TR8 Device Number : DSE-122-026 REV. 1.0

Right Angle Lens Chip LEDs with Bi-Color(Multi-Color)

ECN : _____ Page: 1/10

Features :

- Package in 8mm tape on 7" diameter reel.
- Compatible with automatic placement equipment.
- Compatible with infrared and vapor phase reflow solder process.
- Multi-color type.

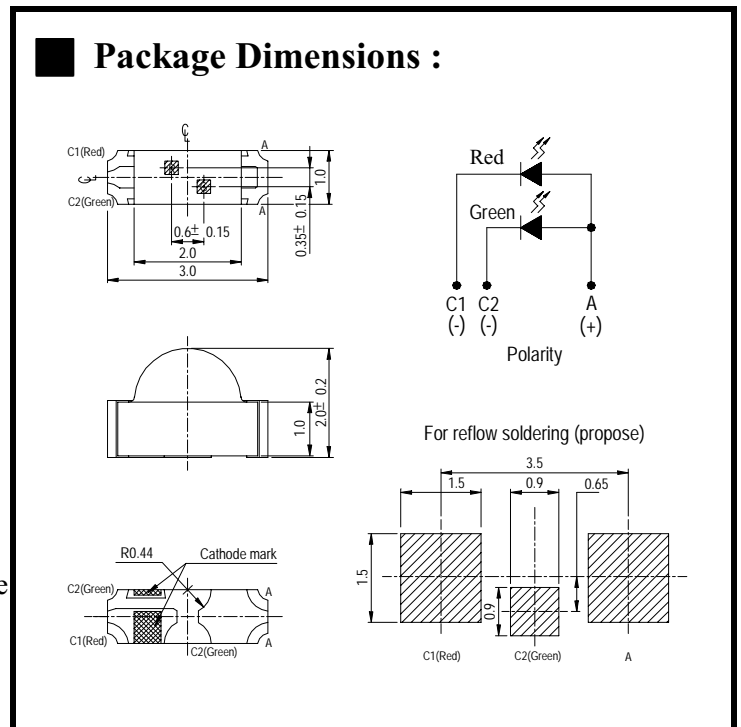
Descriptions:

- The 12-22 SMD Taping is much smaller than lead frame type components, thus enable smaller board size, higher packing density, reduced storage space and finally smaller equipment to be obtained.
- Besides, lightweight makes them ideal for miniature applications, etc.

Applications :

Automotive: backlighting in dashboard and switch.

- Telecommunication: indicator and backlighting in telephone and fax.
- Flat backlight for LCD, switch and symbol.
- General use.



Notes :

Tolerances Unless Dimension ± 0.1 mm

Angle ± 0.5

Unit = mm

PART NO.	Chip		Lens Color
	Material	Emitted Color	
12-22SDRUGC/S530-A2/TR8	SDR:	AlGaInP	Water Clear
	UG:	GaP	

OFFICE: NO. 25, Lane 76, Sec.3, Chung Yang Rd., Tucheng 236, Taipei, Taiwan, R.O.C.

TEL.: 886-2-2267-2000, 2267-9936

FAX: 886-2-2267-6244, 2267-6189, 2267-6306

<http://www.everlight.com>



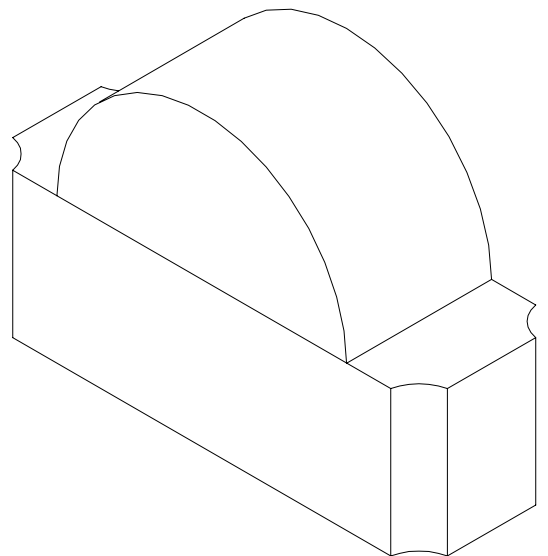
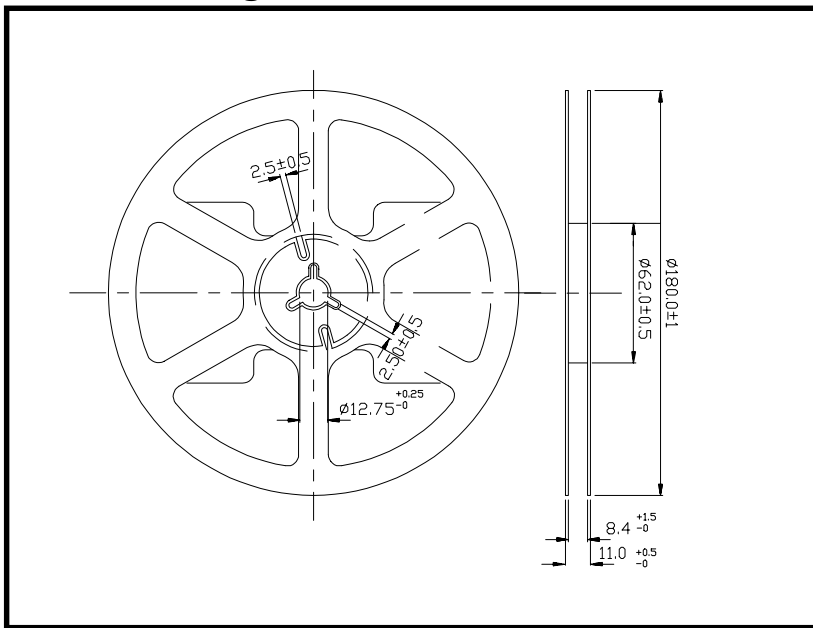
EVERLIGHT ELECTRONICS CO., LTD.

PART NO.: 12-22 SDRUGC/S530-A2/TR8 Device Number : DSE-122-026 REV. 1.0

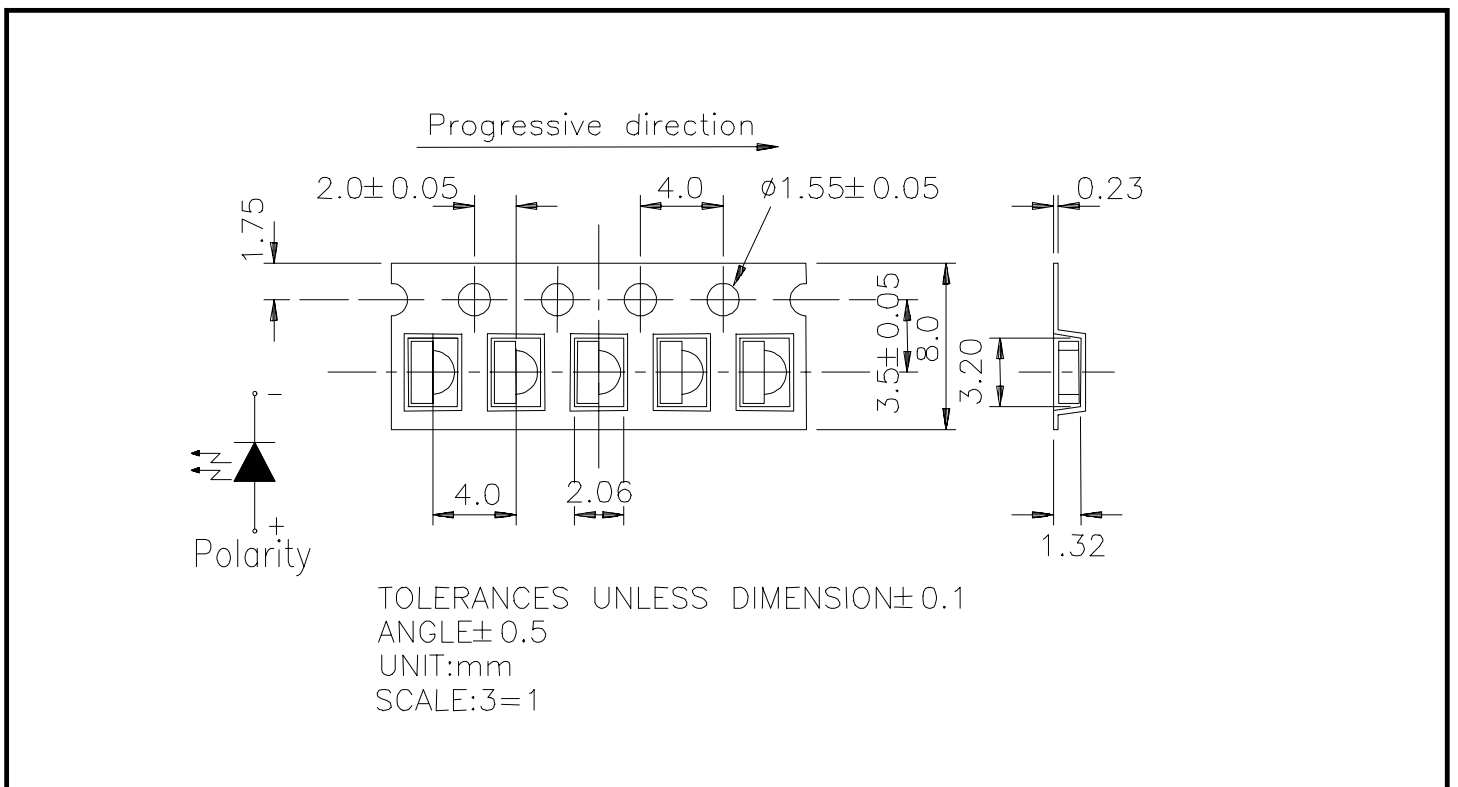
Right Angle Lens Chip LEDs with Bi-Color(Multi-Color)

ECN : _____ Page: 2/10

■ Package Dimensions :



■ Loaded quantity per reel 2000 PCS/reel :





PART NO.: 12-22 SDRUGC/S530-A2/TR8 Device Number : DSE-122-026 REV. 1.0

Right Angle Lens Chip LEDs with Bi-Color(Multi-Color)

ECN : _____ Page: 3/10

■ **Absolute Maximum Ratings at Ta = 25°C:**

Parameter	Symbol	Rating	Unit
Reverse Voltage	VR	5	V
Forward Current	IF	SDR: 25 UG: 30	mA
Operating Temperature	Topr	-40 ~ +85	°C
Storage Temperature	Tstg	-40 ~ +90	°C
Soldering Temperature	Tsol	260 (for 5 second)	°C
Power Dissipation	Pd	SDR: 60 UG: 100	mW
Peak Forward Current(Duty 1/10 @ 1KHz)	IF(Peak)	SDR: 160 UG: 160	mA



PART NO.: 12-22 SDRUGC/S530-A2/TR8 Device Number : DSE-122-026 REV. 1.0

Right Angle Lens Chip LEDs with Bi-Color(Multi-Color)

ECN : _____ Page: 4/10

■ **Electronic Optical Characteristics :**

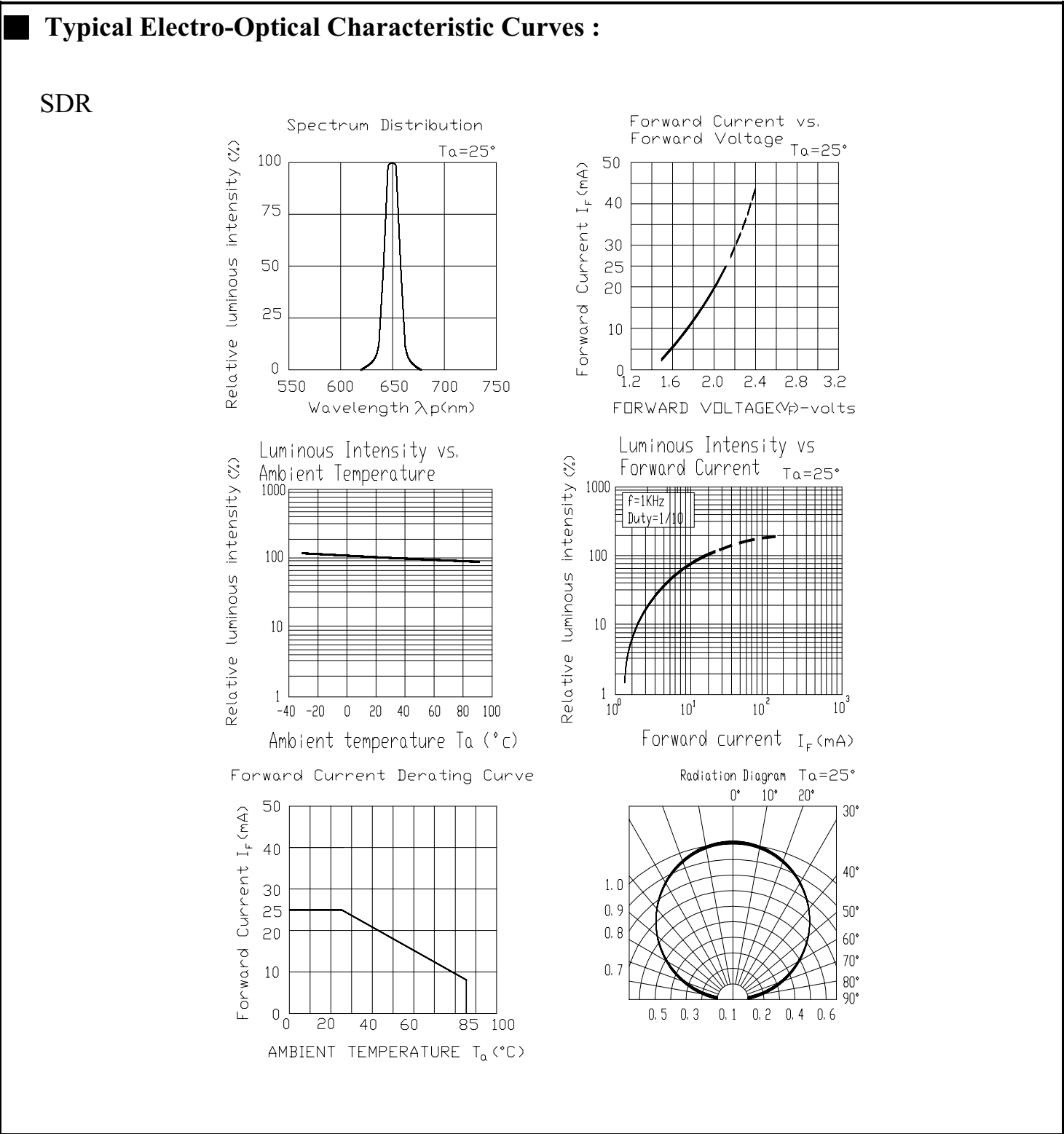
Parameter	Symbol	Min.	Typ.	Max.	Unit	Condition
Luminous Intensity	I _v SDR:	-----	2	-----	mcd	I _F =2mA
		UG:	1	-----		
	SDR:	17	30	-----		I _F =20mA
		UG:	9	16		
Viewing Angle	2θ 1/2	-----	120	-----	deg	I _F =20mA
Peak Wavelength	λ _p SDR:	-----	650	-----	nm	I _F =20mA
		UG:	570	-----		
Dominant Wavelength	λ _d SDR:	-----	639	-----	nm	I _F =20mA
		UG:	571	-----		
Spectrum Radiation Bandwidth	Δλ SDR:	-----	20	-----	nm	I _F =20mA
		UG:	30	-----		
Forward Voltage	V _F SDR:	-----	2.0	2.4	V	I _F =20mA
		UG:	1.7	2.1		
Reverse Current	I _R	-----	-----	10	μA	V _R =5V



PART NO.: 12-22 SDRUGC/S530-A2/TR8 Device Number : DSE-122-026 REV. 1.0

Right Angle Lens Chip LEDs with Bi-Color(Multi-Color)

ECN : _____ Page: 5/10





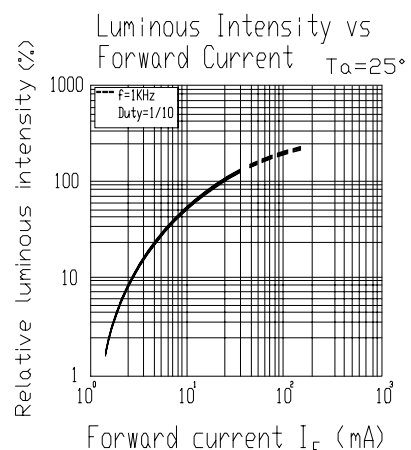
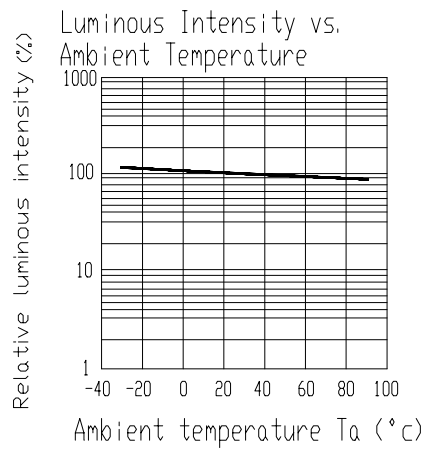
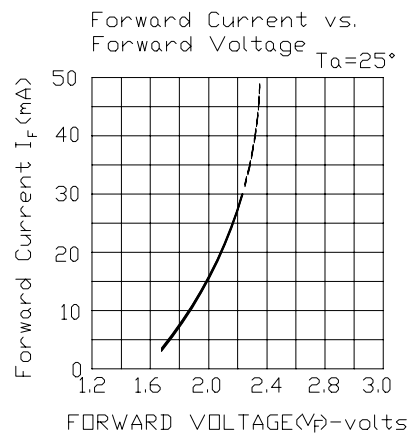
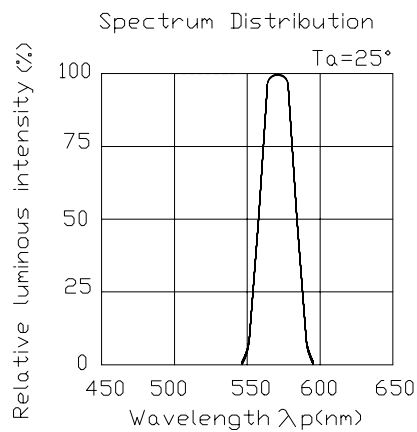
PART NO.: 12-22 SDRUGC/S530-A2/TR8 Device Number : DSE-122-026 REV. 1.0

Right Angle Lens Chip LEDs with Bi-Color(Multi-Color)

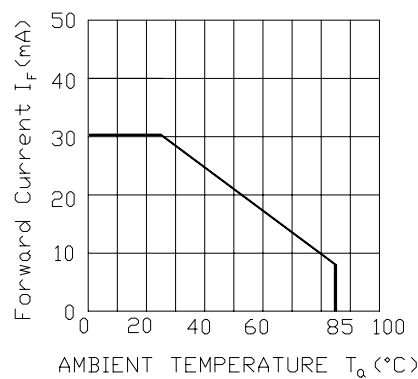
ECN : _____ Page: 6/10

Typical Electro-Optical Characteristic Curves :

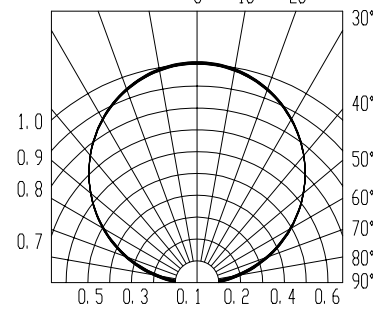
UG



Forward Current Derating Curve



Radiation Diagram $T_a=25^\circ$





PART NO.: 12-22 SDRUGC/S530-A2/TR8 Device Number : DSE-122-026 REV. 1.0

Right Angle Lens Chip LEDs with Bi-Color(Multi-Color)

ECN : Page: 7/10

Reliability Test Items And Conditions:

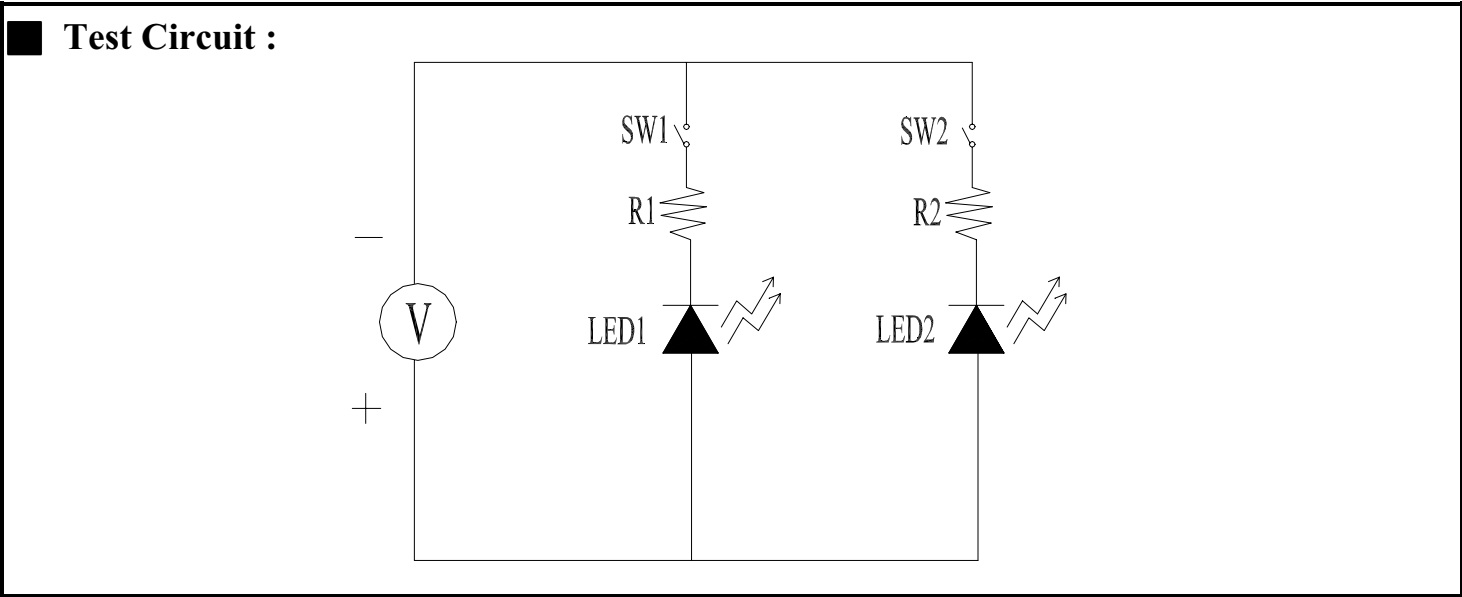
NO	Item	Test Conditions	Test Hours/Cycle	Sample Size	Ac/Re
1	Solder Heat	TEMP. : 260°C ± 5 °C	5 SEC.	76 PCS	0/1
2	Temperature Cycle	H : +85°C 30min. ∫ 5 min. L : -55°C 30min.	50 CYCLES	76 PCS	0/1
3	Thermal Shock	H : +100°C 5min. ∫ 10 sec. L : -10°C 5min.	50 CYCLES	76 PCS	0/1
4	High Temperature Storage	TEMP. : 100°C	1000 HR.	76 PCS	0/1
5	Low Temperature Storage	TEMP. : -55°C	1000 HR.	76 PCS	0/1
6	DC Operating Life	I _F = 20 m A	1000 HR.	76 PCS	0/1
7	High Temperature / High Humidity	85°C/RH85%	1000 HR.	76 PCS	0/1



PART NO.: 12-22 SDRUGC/S530-A2/TR8 Device Number : DSE-122-026 REV. 1.0

Right Angle Lens Chip LEDs with Bi-Color(Multi-Color)

ECN : _____ Page: 8/10



- **Precautions For Use :**
1. Over-current-proof
Customer must apply resistors for protection, otherwise slight voltage shift will cause big current change (Burn out will happen).
 2. Storage time
 - 2.1 The operation of temperature and RH are : $5^{\circ}\text{C} \sim 35^{\circ}\text{C}$, RH60%.
 - 2.2 Once the package is opened, the products should be used within a week.
Otherwise, they should be keeping in a damp proof box with desiccating agent.
Considering the tape life, we suggest our customers to use our products within a year(from production date).
 - 2.3 If opened more than one week in an atmosphere $5^{\circ}\text{C} \sim 35^{\circ}\text{C}$, RH60%, they should be treated at $60^{\circ}\text{C} \pm 5^{\circ}\text{C}$ for 15hrs.
 - 2.4 When you discover that the desiccant in the package has a pink color (normal = blue) , you should treat them in the same conditions as 2.3.



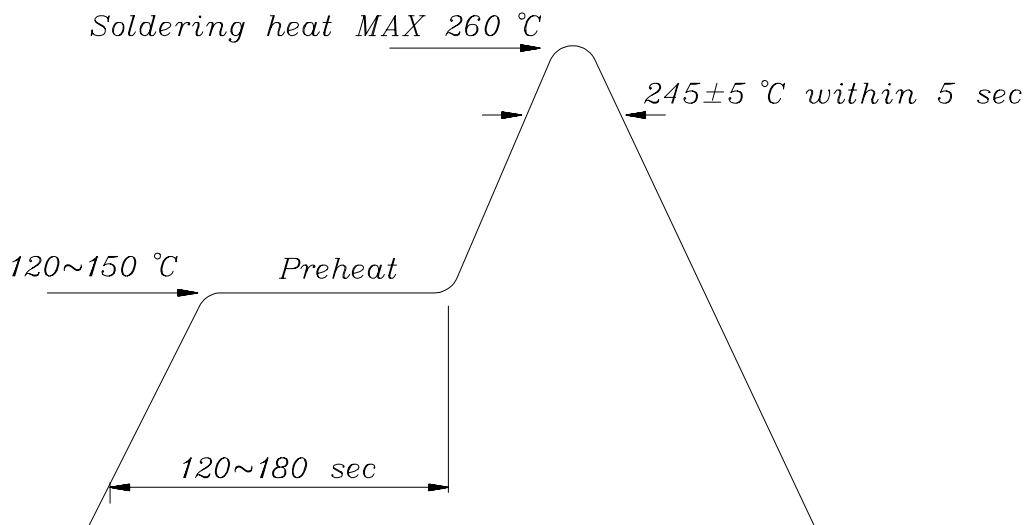
PART NO.: 12-22 SDRUGC/S530-A2/TR8 Device Number : DSE-122-026 REV. 1.0

Right Angle Lens Chip LEDs with Bi-Color(Multi-Color)

ECN : _____ Page: 9/10

■ **Soldering heat reliability (DIP) :**

Please refer to the following figure :

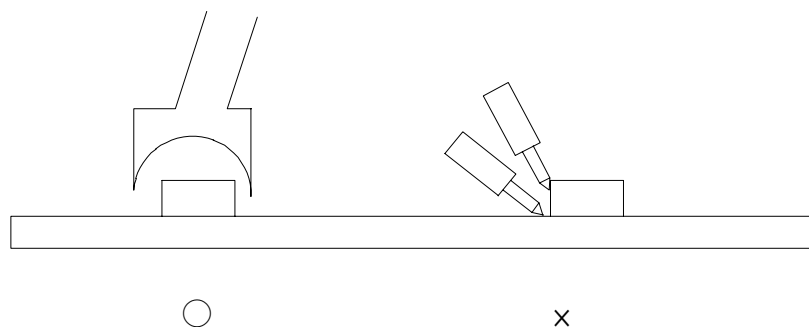


■ **Soldering Iron :**

Basic spec is ≤ 5 sec. when 260°C .If temperature is higher, time should be shorter (+10°C \rightarrow -1sec.). Power dissipation of iron should be smaller than 15 W , and temperature should be controllable. Surface temperature of the device should be under 230 °C .

■ **Rework**

1. Customer must finish rework within 5 sec. under 260°C .
2. The head of iron can not touch copper foil.
3. Twin-head type is preferred.





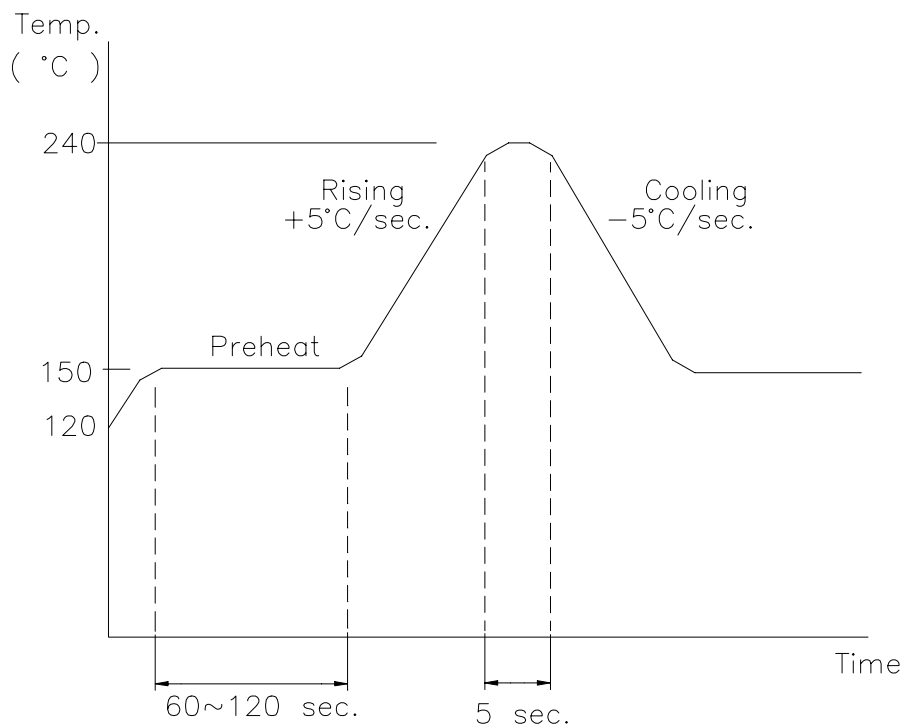
EVERLIGHT ELECTRONICS CO., LTD.

PART NO.: 12-22 SDRUGC/S530-A2/TR8 Device Number : DSE-122-026 REV. 1.0

Right Angle Lens Chip LEDs with Bi-Color(Multi-Color)

ECN : Page: 10/10

■ Reflow Temp./Time :



X-ON Electronics

Largest Supplier of Electrical and Electronic Components

Click to view similar products for [Standard LEDs - SMD category](#):

Click to view products by [Everlight manufacturer](#):

Other Similar products are found below :

[LTST-C190KYKT](#) [LTST-C19GD2WT](#) [LTST-N683GBEW](#) [LTW-170ZDC](#) [LTW-M140SZS40](#) [LTW-M140ZVS](#) [598-8110-100F](#) [91-21SUBCS400-A6TR7](#) [AAAF5060QBFSEEZGS](#) [APT1608QGW](#) [99-213/R6C-AR2T1B/2C](#) [SML-LX0606SISUGC/A](#) [SML-LXR851SIUPGUBC](#) [LT1ED53A](#) [AM27ZGC03](#) [APFA3010SURKCGKQBDC](#) [APHK1608VGCA](#) [APT2012QGW](#) [LTST-008BGEW](#) [LTW-010DCG](#) [LTW-020ZDCG](#) [LTW-21TS5](#) [LTW-220DS5](#) [LO T67F-V1AB-24-1](#) [598-8330-117F](#) [CMDA20AYAA7D1S](#) [95-21SURCS530-A3TR10](#) [HSMQ-C177](#) [598-8040-100F](#) [598-8070-100F](#) [598-8140-100F](#) [598-8610-200F](#) [SML-LXL1209SYC/ATR](#) [CMD91-21VRC/TR7](#) [SML-512PWT86A](#) [SMF-2432GYC-TR](#) [EASV3015RGYA0](#) [LTST-C190KFKT-5A](#) [LTST-C194TBKT-5A](#) [CLX6E-FKC-CH1M1D1BB7C3D3](#) [SML-LXL0805USBC-TR](#) [SML-LX2835SYSUGCTR](#) [LTW-M670ZVS-M5](#) [APA2106ZGC/G](#) [CLMXB-FKA-CbcfghjnpACBB79463](#) [VFA1101W-5AY3B2-TR](#) [LCB P473-P2R2-3J7L-1-Z](#) [HSMR-C197](#) [LW A67C-S2U1-FK0KM0](#) [LW A673-P1S1-FK0PM0](#)