

1.3 mm Height Subminiature , Axial Flat Top LEDs

 PART NO. : 28-21VGC/TR8

Features :

- Compatible with automatic placement equipment.
- Compatible with infrared and vapor phase reflow solder process.
- IC compatible.
- EIA std package.
- Mono-color type.

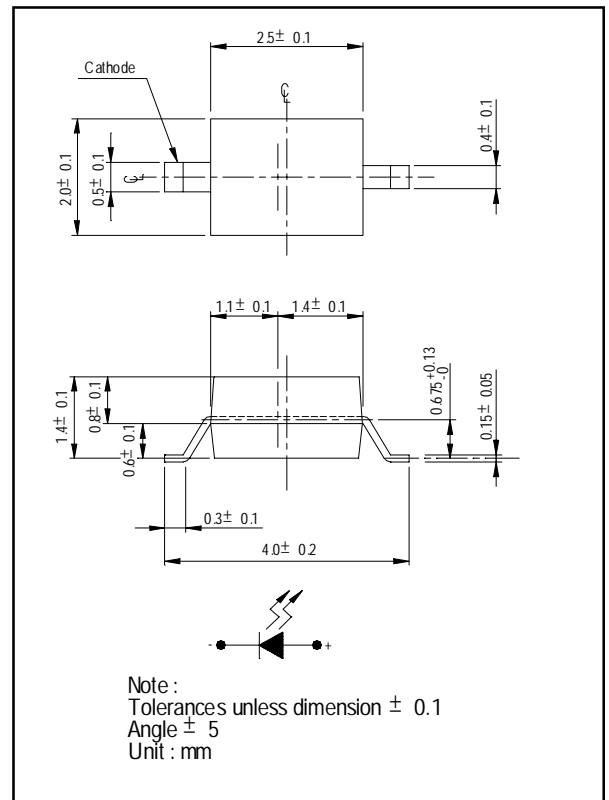
Descriptions :

- The 28-21 SMD taping is much smaller than lead frame type components. Thus enable smaller board size. Higher packing density. Reduced storage space and finally smaller equipment to be obtained.
- Besides, light weight makes them ideal for miniature applications, etc.
- Furthermore by automation assembly machines the accuracy is anticipated.

Applications :

- Small indicator for outdoor applications.
- Flat backlight for LCD, switches and symbols.
- Indicator and backlight in office equipment.
- Indicator and backlight for battery driven equipment.
- Indicator and backlight for audio and video equipment.
- Automotive : backlighting in dashboards and switches.
- Telecommunication : indicator and backlighting in telephone and fax.
- General use.

Package Dimensions :



PART NO.	Chip		Lens Color
	Material	Emitted Color	
28-21VGC/TR8	GaP	Green	Water Clear

OFFICE : NO. 25, Lane 76, Sec.3, Chung Yang Rd., Tucheng 236, Taipei, Taiwan, R.O.C.

TEL : 886-2-2267-2000, 2267-9936

FAX : 886-2-2267-6244, 22676189, 22676306

<http://www.everlight.com>

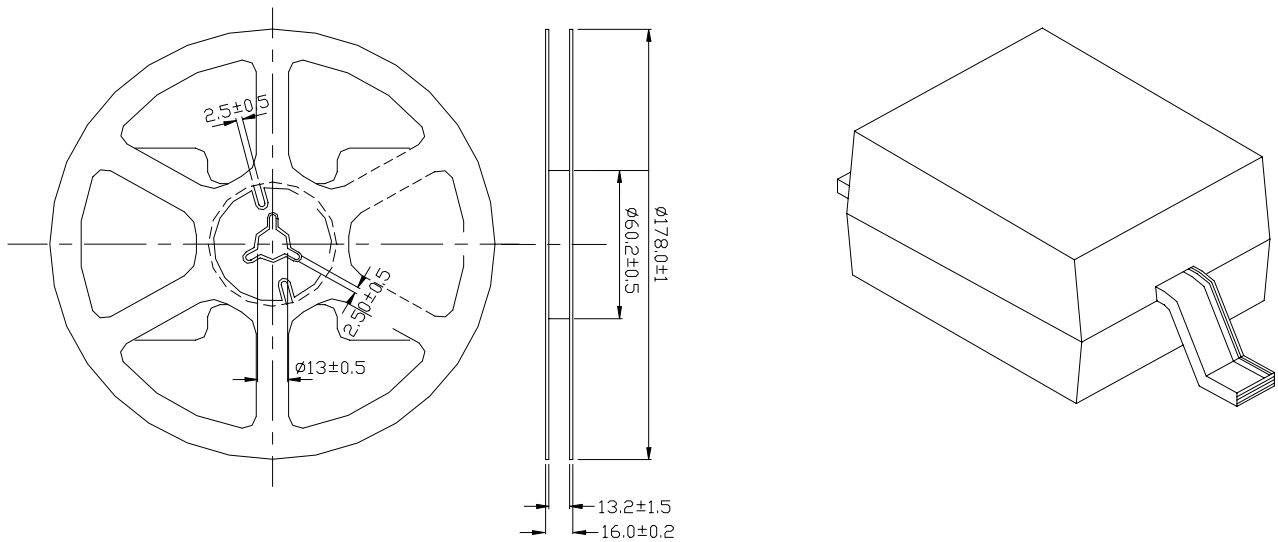
B89020214

890210

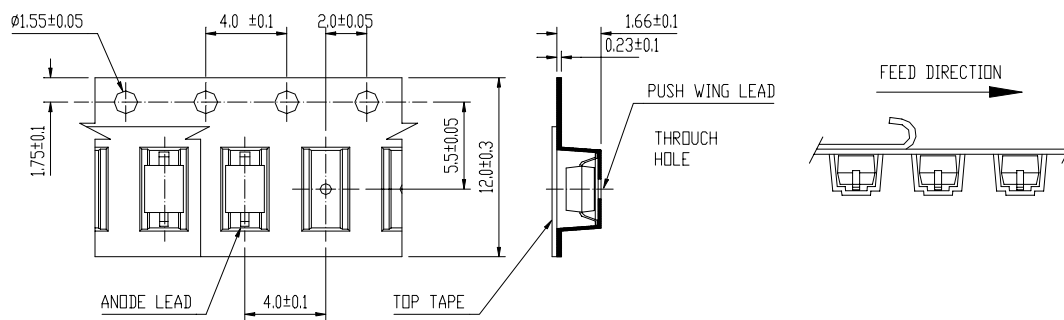
1.3mm Height Subminiature , Axial Flat Top LEDs

PART NO. : 28-21VGC/TR8

■ Package Dimensions



■ Loaded Quantity Per Reel 2000 Pcs/Reel



1. All dimensions are in millimeters.
2. Lead spacing is measured where the lead emerge from the package
3. Protruded resin under flange 1.5 mm (0.59") max.



EVERLIGHT ELECTRONICS CO.,LTD.

DEVICE NUMBER : DLE-282-028REV : 1.2

ECN : _____

PAGE : 3/5

1.3 mm Height Subminiature , Axial Flat Top LEDs

PART NO. : 28-21VGC/TR8

■ Absolute Maximum Ratings at Ta = 25°C

Parameter	Symbol	Rating	Unit
Reverse Voltage	VR	5	V
Forward Current	IF	30	mA
Operating Temperature	Topr	-40 ~ +85	°C
Storage Temperature	Tstg	-40 ~ +100	°C
Soldering Temperature	Tsol	260 ± 5 for 5 sec	°C
Power Dissipation	Pd	100	mW
Peak Forward Current(Duty 1/10 @ 1KHz)	IF(Peak)	160	mA

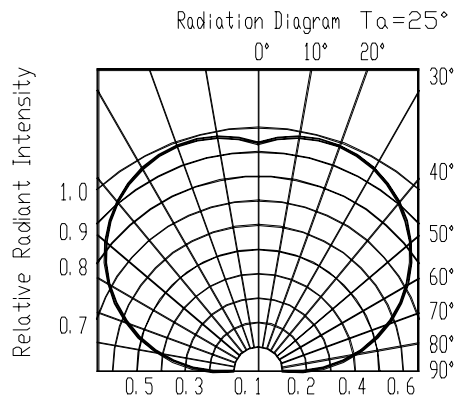
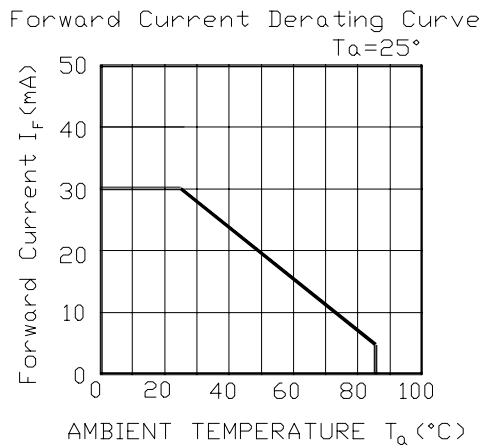
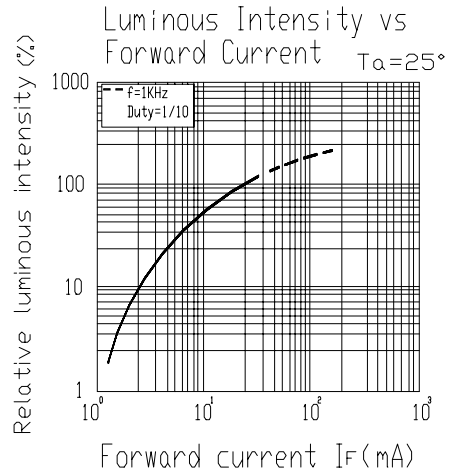
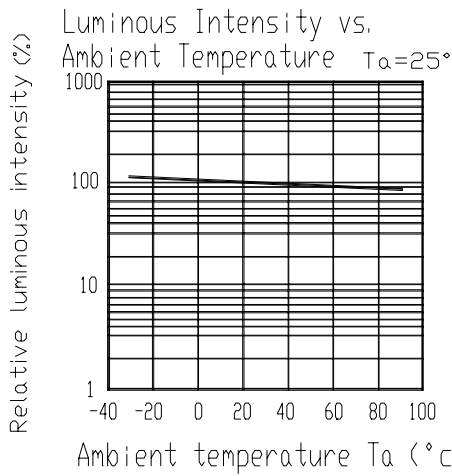
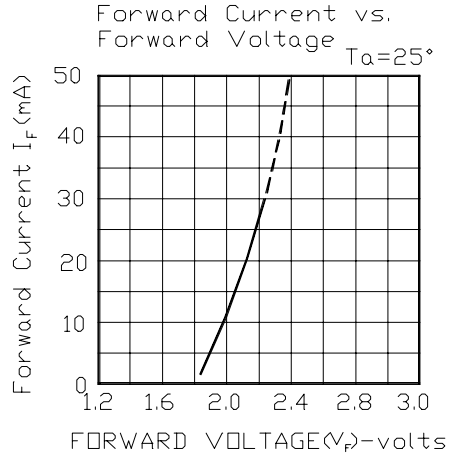
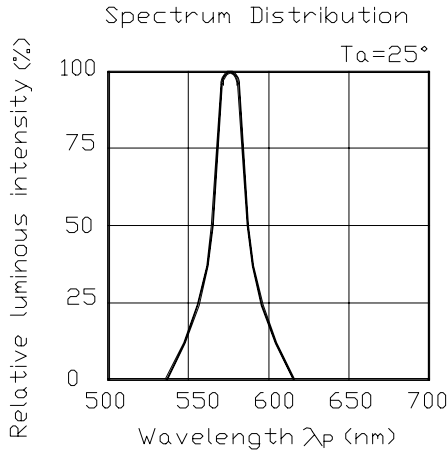
■ Electronic Optical Characteristics :

Parameter	Symbol	MIN.	TYP.	MAX.	Unit	Condition
Luminous Intensity	Iv	1.0	5.5	----	mcd	IF = 20 mA
Viewing Angle	2θ 1/2	----	150	----	deg	
Peak Wavelength	λp	----	570	----	nm	
Dominant Wavelength	λd	----	571	----	nm	
Spectrum Radiation Bandwidth	Δλ	----	30	----	nm	
Forward Voltage	VF	1.7	2.1	2.4	V	IF = 20 mA
Reverse Current	IR	----	----	10	μA	VR=5V

1.3 mm Height Subminiature , Axial Flat Top LEDs

 PART NO. : 28-21VGC/TR8

■ Typical Electro-Optical Characteristic Curves





EVERLIGHT ELECTRONICS CO.,LTD.

DEVICE NUMBER : DLE-282-028REV : 1.2

ECN : _____

PAGE : 5/5

1.3 mm Height Subminiature , Axial Flat Top LEDs

PART NO. : 28-21VGC/TR8

■ Reliability Test Items And Conditions

NO.	Item	Test Conditions	Test Hours/ Cycle	Sample Size	Ac/Re
1	Solder Heat	TEMP. : 260°C ± 5 °C	5 SEC.	76 PCS	0/1
2	Temperature Cycle	H : +85°C 30 min. § 5 min. L : -55°C 30 min.	50 CYCLES	76 PCS	0/1
3	Thermal Shock	H : +100°C 5 min. § 10 sec. L : -10°C 30 min.	50 CYCLES	76 PCS	0/1
4	High Temperature Storage	TEMP. : +100°C	1000 HRS	76 PCS	0/1
5	Low Temperature Storage	TEMP. : -55°C	1000 HRS	76 PCS	0/1
6	DC Operating Life	IF = 20 mA	1000 HRS	76 PCS	0/1
7	High Temperature / High Humidity	85°C / 85% R H	1000 HRS	76 PCS	0/1

X-ON Electronics

Largest Supplier of Electrical and Electronic Components

Click to view similar products for [Standard LEDs - SMD category](#):

Click to view products by [Everlight manufacturer](#):

Other Similar products are found below :

[LTST-C190KYKT](#) [LTST-C19GD2WT](#) [LTST-N683GBEW](#) [LTW-170ZDC](#) [LTW-M140SZS40](#) [598-8110-100F](#) [598-8170-100F](#) [598-8610-202F](#) [AAAF5060QBFSEEZGS](#) [HLMA-QG00-S0021](#) [ALMD-LB36-SV002](#) [APT1608QGW](#) [EAST2012YA0](#) [EASV1803BA0](#) [LG M67K-H1J2-24-0-2-R18-Z](#) [SML-512VWT86A](#) [SML-LX0606SISUGC/A](#) [SML-LXL1307SRC-TR](#) [SML-LXR851SIUPGUBC](#) [LT1ED53A](#) [AM27ZGC03](#) [APB3025SGNC](#) [APFA3010SURKCGKQBDC](#) [APHK1608VGCA](#) [APT2012QGW](#) [CLX6D-FKB-CN1R1H1BB7D3D3](#) [LTST-008BGEW](#) [LTST-C250KGKT](#) [LTW-010DCG](#) [LTW-020ZDCG](#) [LTW-21TS5](#) [LTW-220DS5](#) [598-8330-117F](#) [SML-LX0402IC-TR](#) [CMDA20AYAA7D1S](#) [CMDA16AYDR7A1X](#) [91-21SYGD/S530-E2/TR7](#) [HSMQ-C177](#) [598-8040-100F](#) [598-8070-100F](#) [598-8140-100F](#) [598-8610-200F](#) [EAST2012GA0](#) [EAPL3527GA5](#) [SML-LXL1209SYC/ATR](#) [EAST2012RA0](#) [EAST1608RGBAO](#) [CMD91-21VRC/TR7](#) [SML-LXR851SGSIC-TR](#) [SML-512PWT86A](#)