

SMD ■ Side View LEDs 3004UM2C/L7277I5L6U27-T



Features

- Side view white LED
- White SMT package
- Lead frame package with individual 2 pins
- Wide viewing angle
- Soldering methods: IR reflow soldering
- Pb-free
- The product itself will remain within RoHS compliant version.

Descriptions

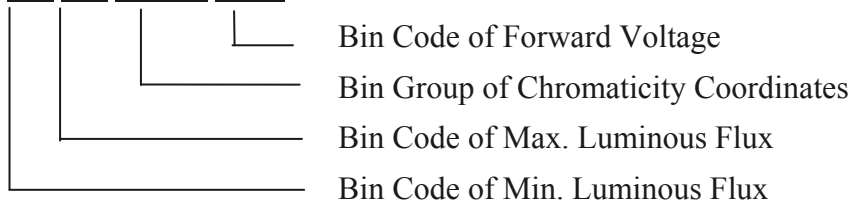
- Due to the package design, 3004 has wide viewing angle, low power consumption and white LEDs are devices that are materialized by combing blue chips and special phosphor. This feature makes the LED ideal for light guide application.

Applications

- Mobile Phones
- Indicators
- Compliance with EU REACH.

Coding:

3004UM2C/LXX XX XXXX XXX-T



Device Selection Guide

Chip	Emitted Color	Resin Color
InGaN	Pure White	Water Clear

Absolute Maximum Ratings (Ta=25°C)

Parameter	Symbol	Rating	Unit
Reverse Voltage	V_R	5	V
Forward Current	I_F	30	mA
Peak Forward Current (Duty 1/10 @10ms)	I_{FP}	60	mA
Power Dissipation	P_d	110	mW
Operating Temperature	T_{opr}	-40 ~ +85	°C
Storage Temperature	T_{stg}	-40 ~ +90	°C
Soldering Temperature	T_{sol}	Reflow Soldering : 260 °C for 10 sec. Hand Soldering : 350 °C for 3 sec.	

Notes: *1The products are sensitive to static electricity and must be carefully taken when handling products.

Electro-Optical Characteristics (Ta=25°C)

Parameter	Symbol	Min.	Typ.	Max.	Unit	Condition
Luminous Flux	Φ	7.25	-----	8.00	lm	IF=20mA
Viewing Angle	2 θ 1/2	-----	115	-----	deg	
Forward Voltage	V _F	2.70	-----	3.30	V	
Reverse Current	IR	-----	-----	50	μ A	V _R =5V

Notes:

1. Tolerance of Luminous Flux: $\pm 7\%$
2. Tolerance of Forward Voltage: $\pm 0.05V$

EVERLIGHT

Bin Range of Luminous Flux

Bin Code	Im(Min.)	Im(Max.)	Unit	Condition	mcd(Min.)	mcd(Max.)
L72	7.25	7.50	lm	If=20mA	2595	2685
L75	7.50	7.75			2685	2775
L77	7.75	8.00			2775	2865

Note: Tolerance of Luminous Intensity、Luminous Flux: $\pm 7\%$

EVERLIGHT

Bin Range of Forward Voltage

Bin Code	Min.	Max.	Unit	Condition
U2	2.70	2.80	V	I _F =20mA
U3	2.80	2.90		
U4	2.90	3.00		
U5	3.00	3.10		
U6	3.10	3.20		
U7	3.20	3.30		

Note: Tolerance of Forward Voltage: $\pm 0.05V$

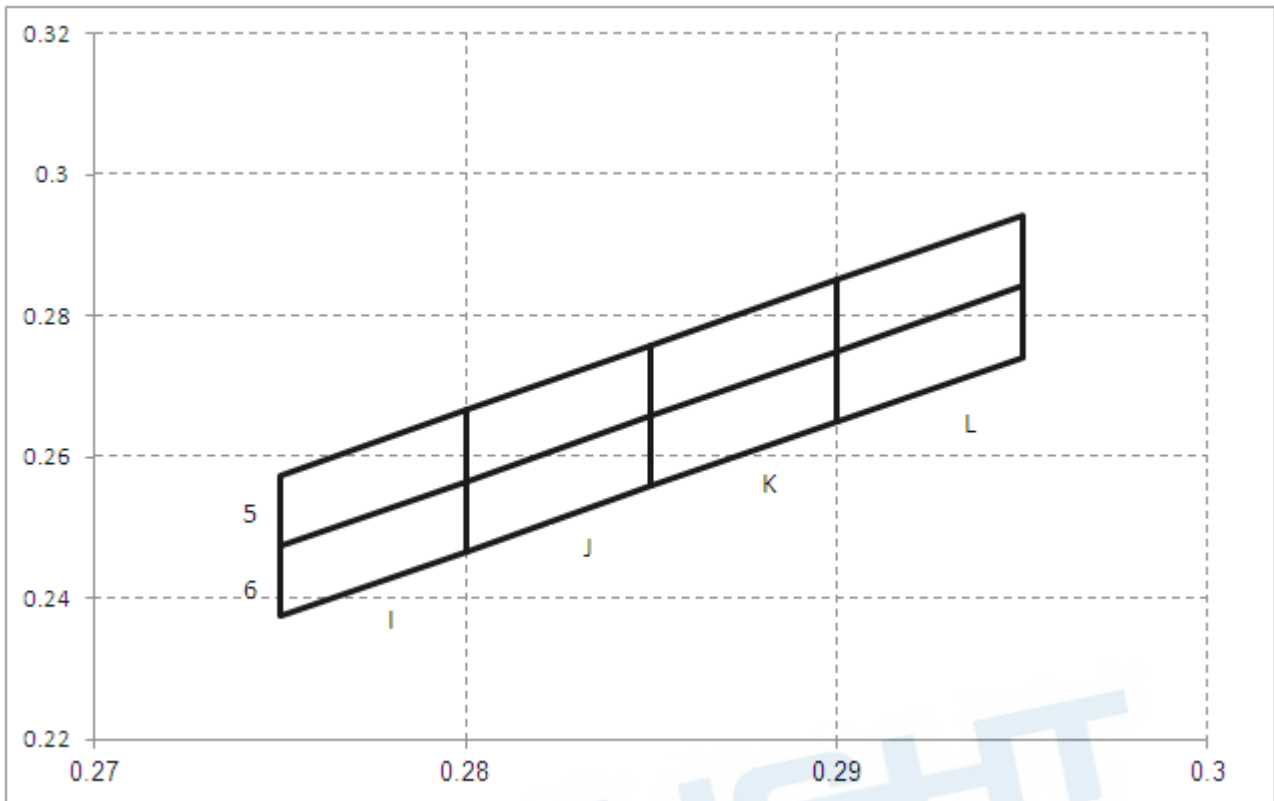
EVERLIGHT

Chromaticity Coordinates of Bin Code

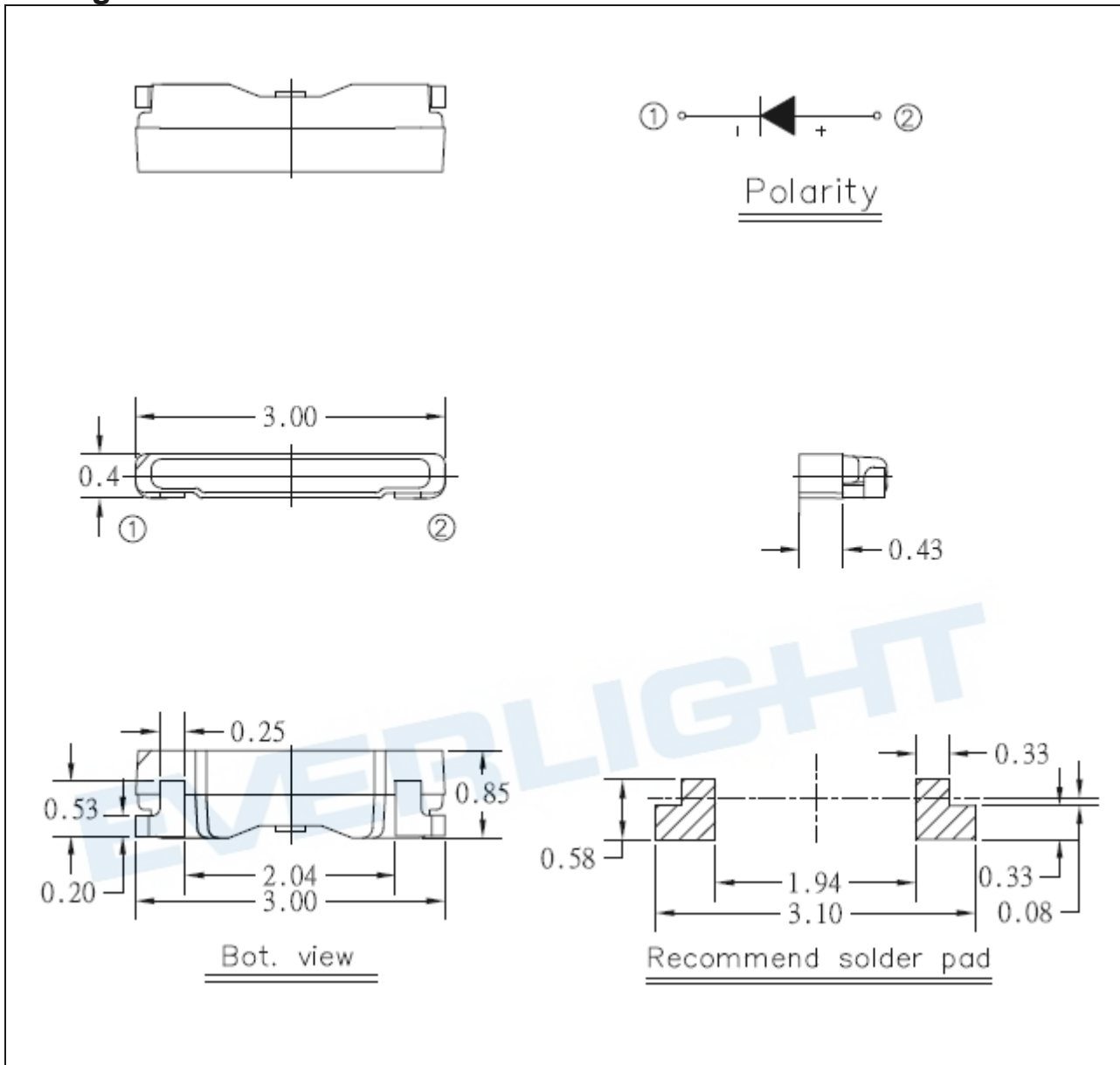
Bin Code	CIE_x	CIE_y	Bin Code	CIE_x	CIE_y
I5	0.2750	0.2474	I6	0.2750	0.2374
	0.2750	0.2574		0.2750	0.2474
	0.2800	0.2666		0.2800	0.2566
	0.2800	0.2566		0.2800	0.2466
J5	0.2800	0.2566	J6	0.2800	0.2466
	0.2800	0.2666		0.2800	0.2566
	0.2850	0.2758		0.2850	0.2658
	0.2850	0.2658		0.2850	0.2558
K5	0.2850	0.2658	K6	0.2850	0.2558
	0.2850	0.2758		0.2850	0.2658
	0.2900	0.2850		0.2900	0.2750
	0.2900	0.2750		0.2900	0.2650
L5	0.2900	0.2750	L6	0.2900	0.2650
	0.2900	0.2850		0.2900	0.2750
	0.2950	0.2942		0.2950	0.2842
	0.2950	0.2842		0.2950	0.2742

Note: Tolerance of Chromaticity Coordinates: ± 0.01

Chromaticity Coordinates of Bin Code



Package Outline Dimensions

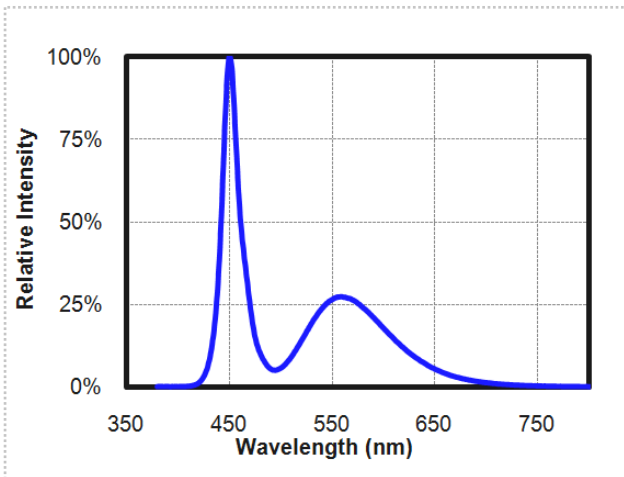


Note: The tolerances unless dimensions are $\pm 0.1\text{mm}$.

Typical Electro-Optical-Thermal Characteristics Curves

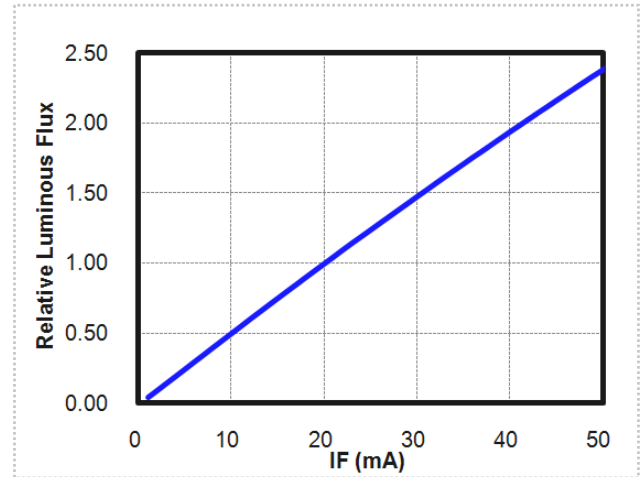
1. Spectrum Distribution

($T_A=25^\circ\text{C}$, $I_F=20\text{mA}$)



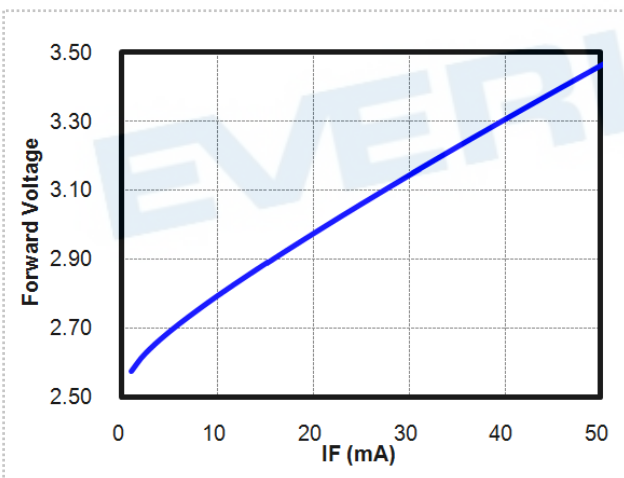
2. Relative Luminous Flux vs. Forward Current

($T_A=25^\circ\text{C}$)



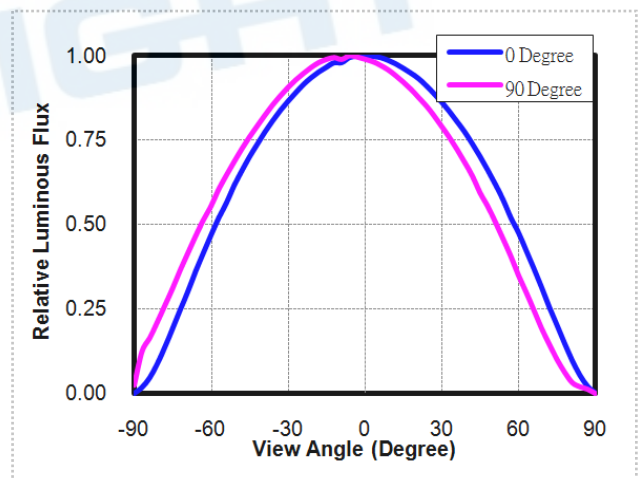
3. Relative Forward Voltage vs. Forward Current

($T_A=25^\circ\text{C}$)



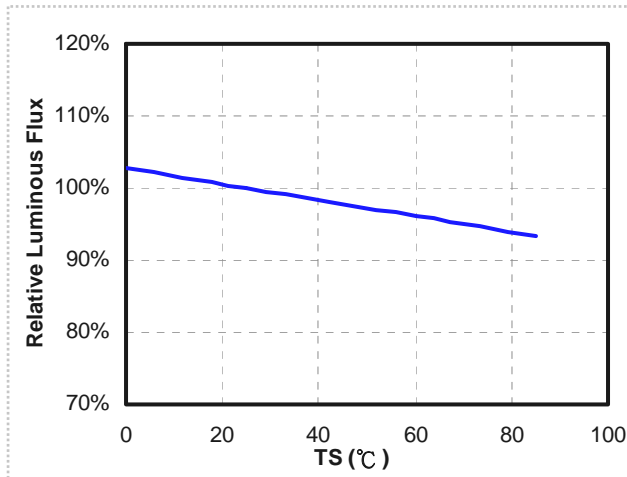
4. Radiation Diagram

($T_A=25^\circ\text{C}$, $I_F=20\text{mA}$)

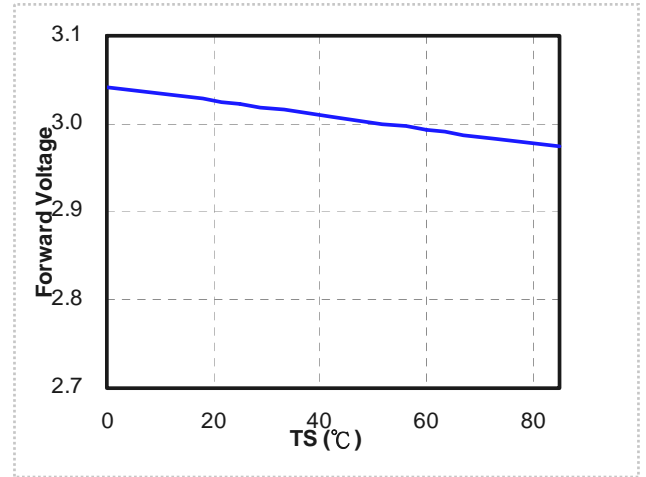


Typical Electro-Optical-Thermal Characteristics Curves

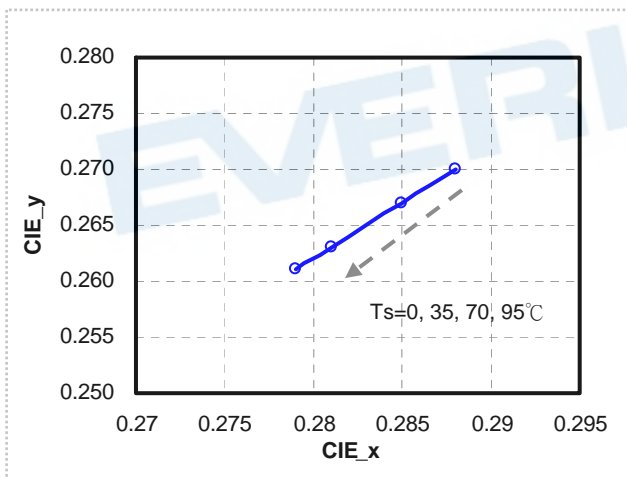
5. Relative Luminous Flux vs. Ambient Temperature
 ($I_F=20\text{mA}$)



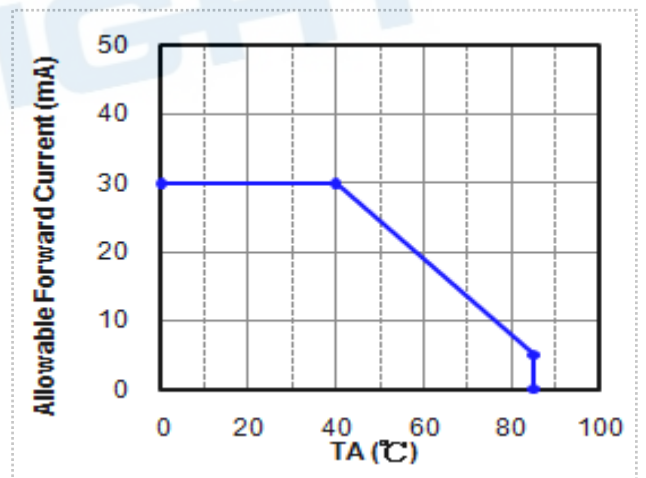
6. Forward Voltage vs. Ambient Temperature
 ($I_F=20\text{mA}$)



7. Chromaticity Coordinates vs. Ambient Temperature
 ($I_F=20\text{mA}$)



8. Forward Current De-rating Curve

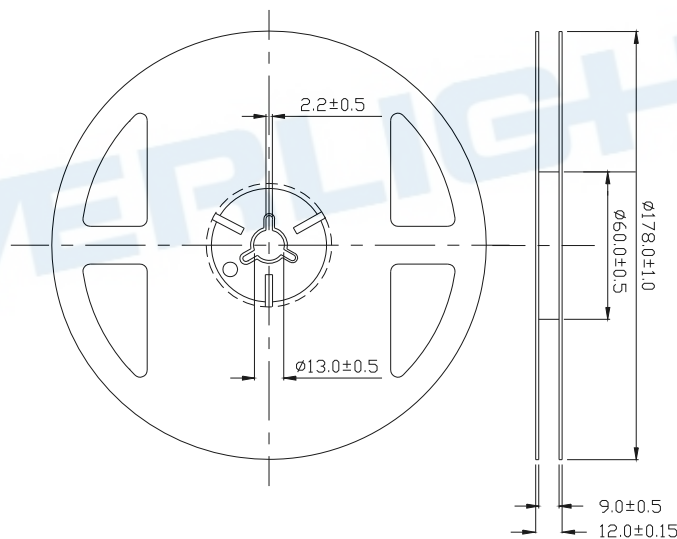


Label Explanation

CAT: Luminous Flux Rank
HUE: Chromaticity Coordinates
REF: Forward Voltage Rank



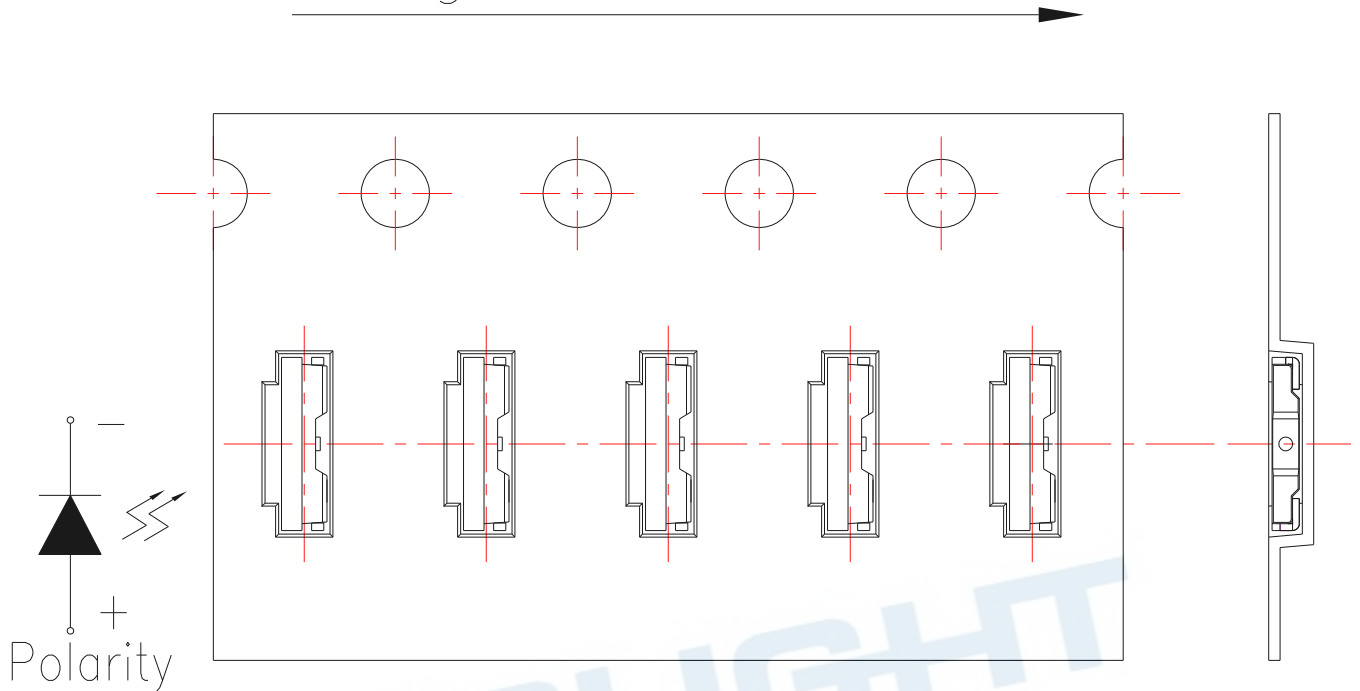
Reel Dimensions



Note: The tolerances unless dimension are ± 0.1mm.

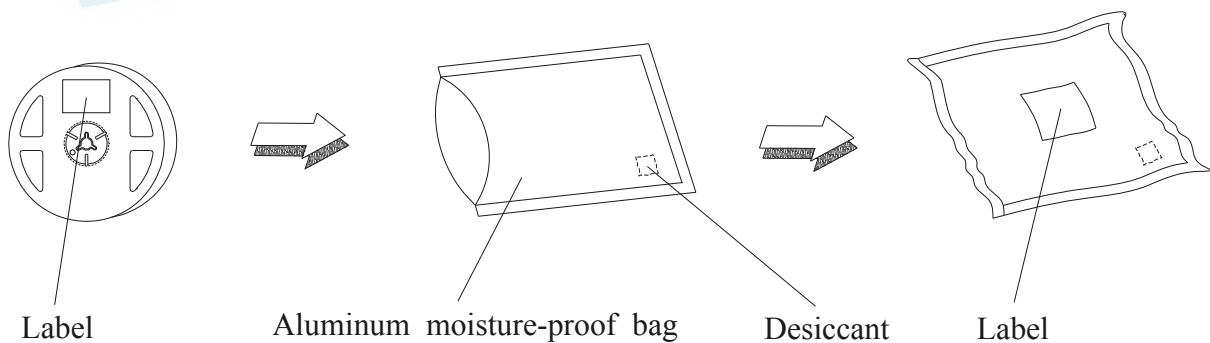
**Carrier Tape Dimensions: Loaded Quantity 250 up/500/1000/2000 pcs.
Per Reel**

Progressive direction



Note: The tolerances unless mentioned is ± 0.1 mm, Unit = mm.

Moisture Resistant Packaging



Note: Actual photo of standard packing bag

Reliability Test Items and Conditions

The reliability of products shall be satisfied with items listed below.

Confidence level : 90%

LTPD : 10%

NO	Item	Test Condition		Test Hours / Times	Criteria	
		Temp./ Humidity	IF (mA)		I _v @20 mA	V _F @ 20mA
1	Reflow Soldering	Temp. : 260°C/10sec..		2 time	<±10%	<±10%
2	Temperature cycle	-40°C 30min.	~ (5min.)	100°C 30min.	200 cycles	I _v > 70%, V _F < 110%,
3	Thermal Shock	-10°C 20min.	~ (<15sec.)	100°C 20min.	200 cycles	
4	Low Temp. Storage	Ta= -40°C	--	1000 hrs		
5	High Temp. Storage	Ta= 100°C	--	1000 hrs		
6	Temp. Humidity Storage	Ta= 60°C/ 90%RH	--	1000 hrs		
7	Steady State Operating Life of Low Temp.	Ta= -40°C	20	1000 hrs		
8	Steady State Operating Life Condition 1	Ta= 25°C/ Room Humidity	20	1000 hrs		
9	Steady State Operating Life Condition 2	Ta= 60°C	20	1000 hrs		
10	Steady State Operating Life of High Temp.	Ta= 85°C	5	1000 hrs		
11	Steady State Operating Life of High Humidity Heat	Ta= 60°C/ 90%RH	20	1000 hrs		

Notes:

1. Sampling for each test item: 22 (pcs.)
2. Test board: PCB board thickness=1.0mm, copper layer thickness=0.07mm, R_{th j-a}≒380°C/W.
3. Measurements are performed after allowing the LEDs to return to room temperature.

Precautions for Use

1. Over-current-proof

Customer must apply resistors for protection, otherwise slight voltage shift will cause big current change (Burn out will happen).

2. Storage

2.1 Do not open moisture proof bag before the products are ready to use.

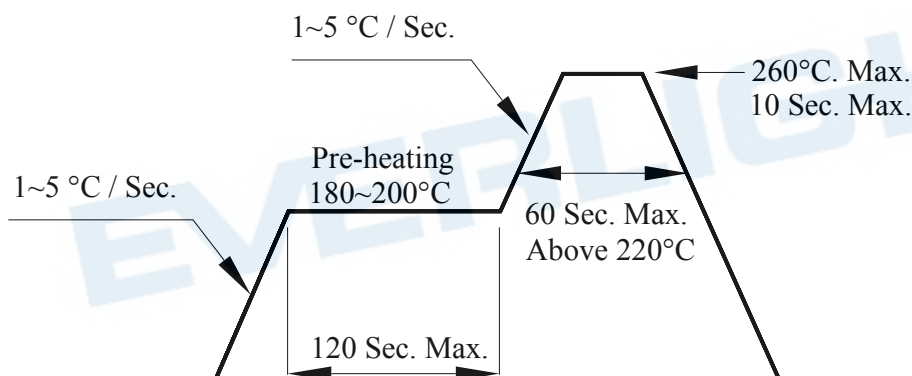
2.2 Before opening the package: The LEDs should be used within one year and kept at 30°C or less and 70%RH or less.

2.3 After opening the package: We recommend that the LED should be soldered quickly (within 3 days). The soldering condition is 30°C or less and 60%RH or less. If unused LEDs remain, it should be stored in moisture proof packages.

2.4 If the moisture absorbent material (silica gel) has faded away or the LEDs have exceeded the storage time, baking treatment should be performed using the following conditions. Baking treatment: 60±5°C for 24 hours. (One time only)

3. Soldering Condition

3.1 Pb-free solder temperature profile



3.2 Reflow soldering should not be done more than two times.

3.3 When soldering, do not put stress on the LEDs during heating.

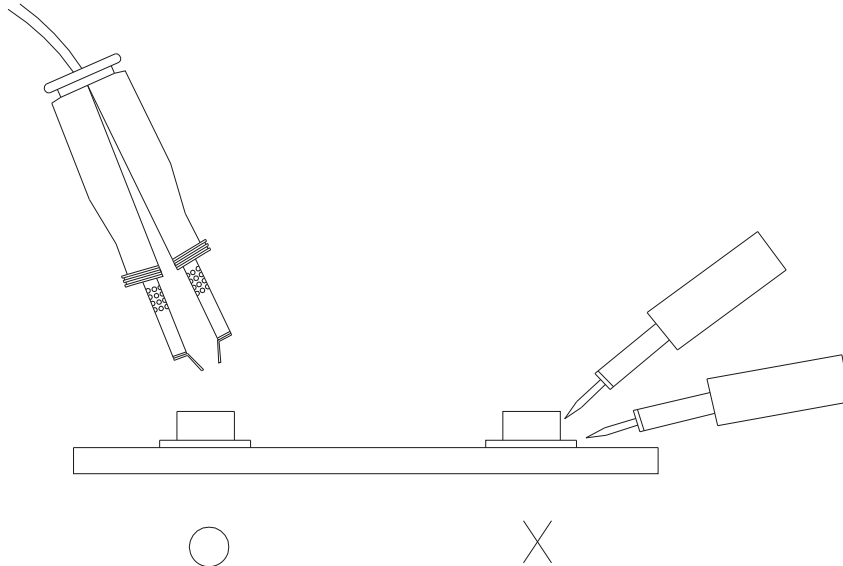
3.4 After soldering, do not warp the circuit board.

4. Soldering Iron

Each terminal is to go to the tip of soldering iron temperature less than 350°C for 3 seconds within once in less than the soldering iron capacity 25W. Leave two seconds and more intervals, and do soldering of each terminal. Be careful because the damage of the product is often started at the time of the hand solder.

5. Repairing

Repair should not be done after the LEDs have been soldered. When repairing is unavoidable, a double-head soldering iron should be used (as below figure). It should be confirmed beforehand whether the characteristics of the LEDs will or will not be damaged by repairing.



6. Handling Indications

During processing, mechanical stress on the surface should be minimized as much as possible. Sharp objects of all types should not be used to pierce the sealing compound.

X-ON Electronics

Largest Supplier of Electrical and Electronic Components

Click to view similar products for [everlight](#) manufacturer:

Other Similar products are found below :

[11-21/R8C-AP1Q2B/2T](#) [HLMP4719](#) [ELSH-F71G1-0LPNM-CG2G3](#) [MAN6760](#) [EL3063S1\(TA\)](#) [EL452\(TA\)-VG](#) [EL-17-21SURC/S530-A2/TR8](#) [4N35S\(TA\)](#) [A694B/2SUR/S530-A3](#) [22-23C/R6GHBHW-C01/2C](#) [MV64521](#) [11-21SURC-S530-A3-TR8](#) [12-22SDRSYGC/S530-A3/E3/TR8](#) [IR383C](#) [MV53123](#) [HLMP2785](#) [ELSH-Q61F1-0LPNM-JF3F8](#) [MAN6940](#) [ELSW-J11C1-0CPGS-C5700](#) [MV5464MP4B](#) [204-10SUGC/S400-A4-L](#) [12-21/BHC-AP1Q2M/2C](#) [ELSH-F81M1-0CPGS-C3000](#) [PD15-21C/TR8](#) [45-21SCUM2C/L1720NE6/TR8-T](#) [EADCT056RA1](#) [61-238/LK2C-B50638F6GB2/ET](#) [HLMP-2550](#) [IR67-21C/L261/S65/TR8](#) [4N25M](#) [19-213SYGC/S530-E2/TR8](#) [IR333C-F-A](#) [264-7ID](#) [45-11-BFSB-49373902E-2T8-AM](#) [MSQC4411C](#) [PD95-21B/TR10](#) [IRM-H920J5/TR2](#) [EL814](#) [1254-10SURT/S530-A3](#) [ITR9702-F](#) [67-21/T2C-ZV1W2E/2T](#) [EL827](#) [MV8411](#) [67-31EP6-UYD8395DAFAZ5-ET0D-AM](#) [EL3083](#) [45-21UYC/S530-A3/TR8](#) [IR908-7C\(E4\)](#) [ITR9707](#) [ELSH-F41R1-0LPNM-AR5R6](#) [99-616LM2C/L7580S76/TR8-T/ES](#)