

Power Top View LEDs with Lens 67-31EP6-UYD8395DAFAZ5-ET0D-AM



Features

Lead (Pb) Free Product - RoHS Compliant

- P-LCC-3 package.
- Colored diffused resin.
- Wide viewing angle 60°.
- Inner reflector and white package.
- Qualification according to AEC-Q101 rev C.
- Soldering methods: IR reflow soldering.
- Compliance with EU REACH

Applications

- Backlight: LCD, switches, symbol, mobile phone and illuminated advertising.
- Ideal for coupling into light guides.
- Substitution of traditional light.
- General applications.
- Optical indicator.
- Automotive

Device Selection Guide

Chip Materials	Emitted Color	Resin Color
AlGaInP	Brilliant Yellow	Water Clear

Absolute Maximum Ratings (Ta=25°C)

Parameter	Symbol	Rating	Unit
Forward Current	I_F	70	mA
Peak Forward Current (Duty 1/10 @1KHz)	I_{FP}	100	mA
Power Dissipation	P_d	190	mW
Junction Temperature	T_j	125	°C
Operating Temperature	T_{opr}	-40 ~ +100	°C
Storage Temperature	T_{stg}	-40 ~ +110	°C
Thermal resistance	$R_{th\ J-A}$	500	K/W
	$R_{th\ J-S}$	300	K/W
ESD (Classification acc. AEC Q101)	ESD_{HBM}	2000	V
	ESD_{MM}	200	V
Soldering Temperature	T_{sol}	Reflow Soldering : 260 °C for 30 sec. Hand Soldering : 350 °C for 3 sec.	

Electro-Optical Characteristics (Ta=25°C)

Parameter	Symbol	Min.	Typ.	Max.	Unit	Condition
Luminous Intensity	I_v	4500	---	14400	mcd	$I_F = 50mA$
Viewing Angle	$2\theta_{1/2}$	---	60	---	deg	
Dominant Wavelength	λ_d	583	---	595	nm	
Forward Voltage	V_F	1.8	---	2.6	V	$V_R = 12V$
Reverse Current	I_R	---	---	10	μA	

Note:

1. Tolerance of Luminous Intensity: $\pm 11\%$
2. Tolerance of Dominant Wavelength: $\pm 1nm$
3. Tolerance of Forward Voltage: $\pm 0.1V$

Bin Range of Luminous Intensity

Bin Code	Min.	Max.	Unit	Condition
DA	4500	5600	mcd	I _F = 50mA
DB	5600	7100		
EA	7100	9000		
EB	9000	11200		
FA	11200	14400		

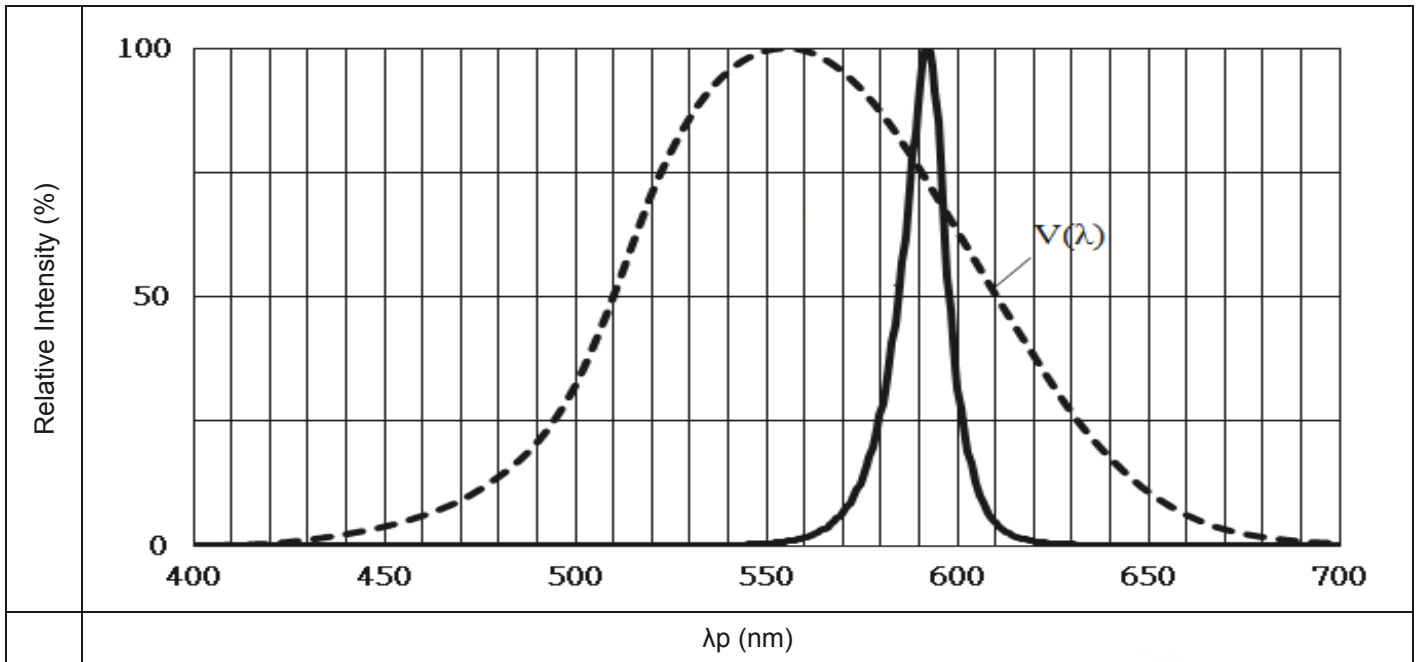
Bin Range of Dominant Wavelength

Group	Bin Code	Min.	Max.	Unit	Condition
V3	A5	583	586	nm	I _F = 50mA
	A6	586	589		
	A7	589	592		
	A8	592	595		

Bin Range of Forward Voltage

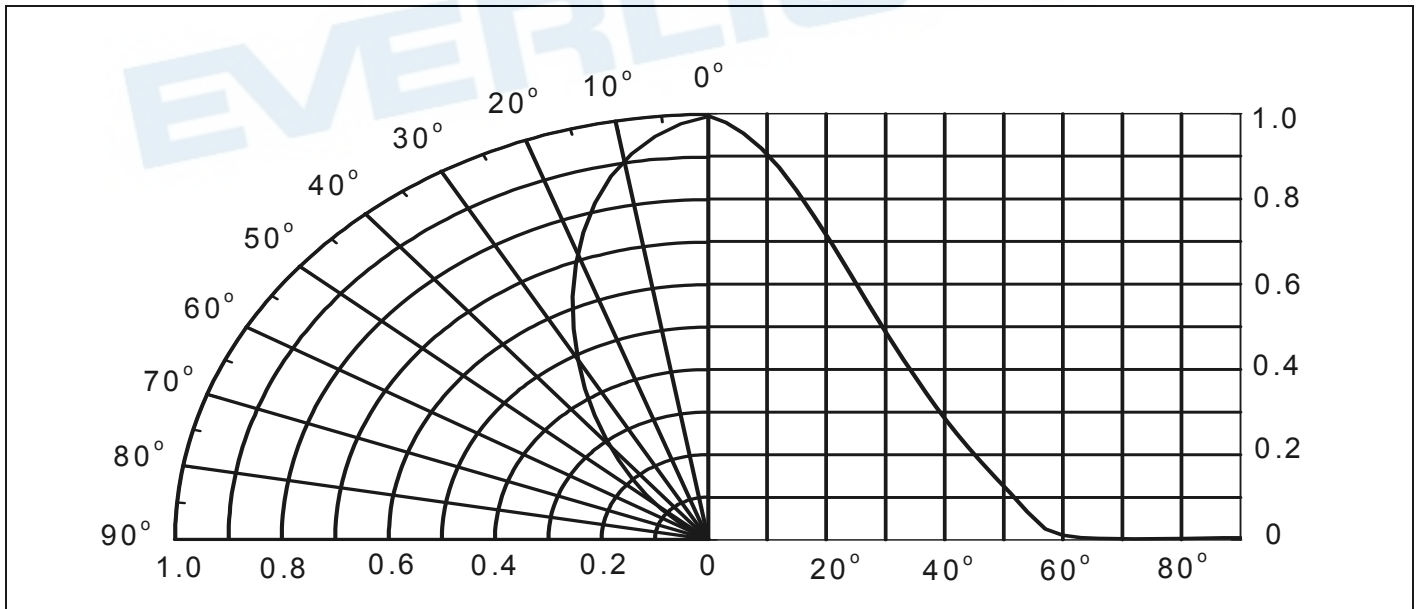
Bin Code	Min.	Max.	Unit	Condition
G3-1	1.80	2.00	V	I _F =50mA
G3-2	2.00	2.20		
G3-3	2.20	2.40		
G3-4	2.40	2.60		

Typical Electro-Optical Characteristics Curves
Typical Curve of Spectral Distribution

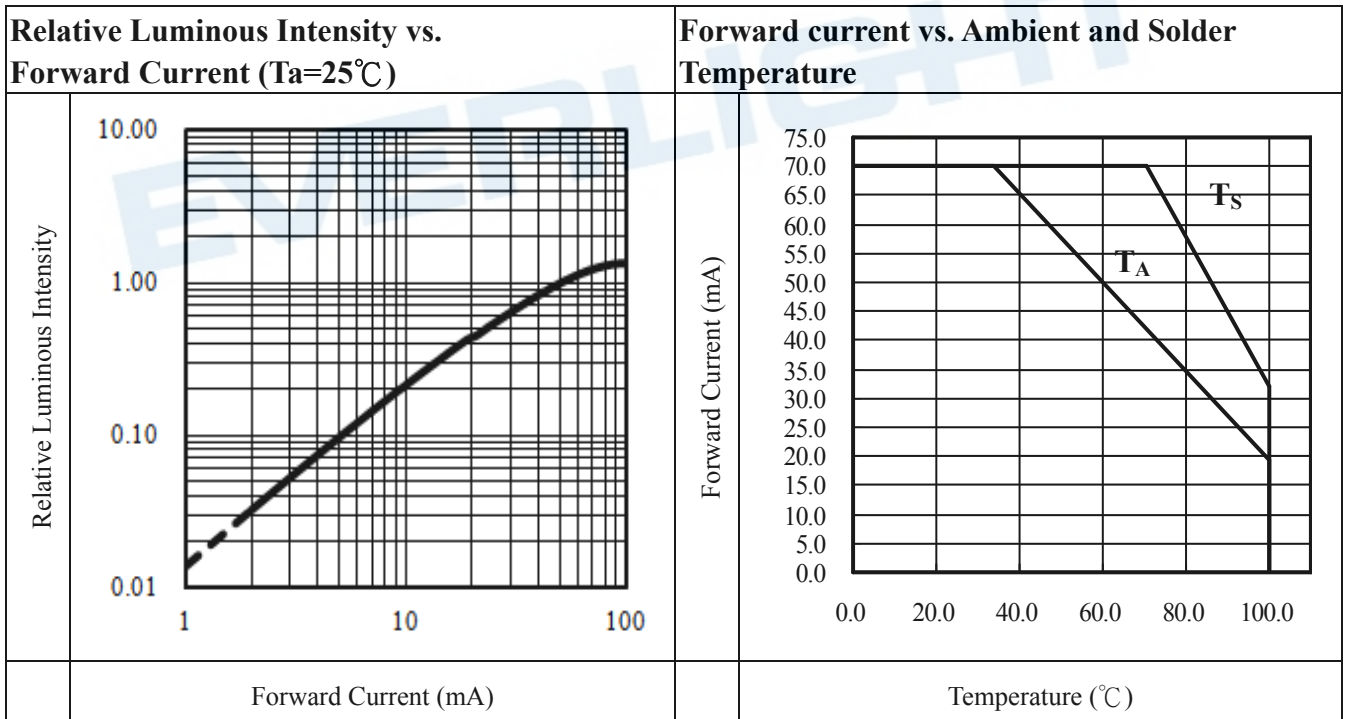
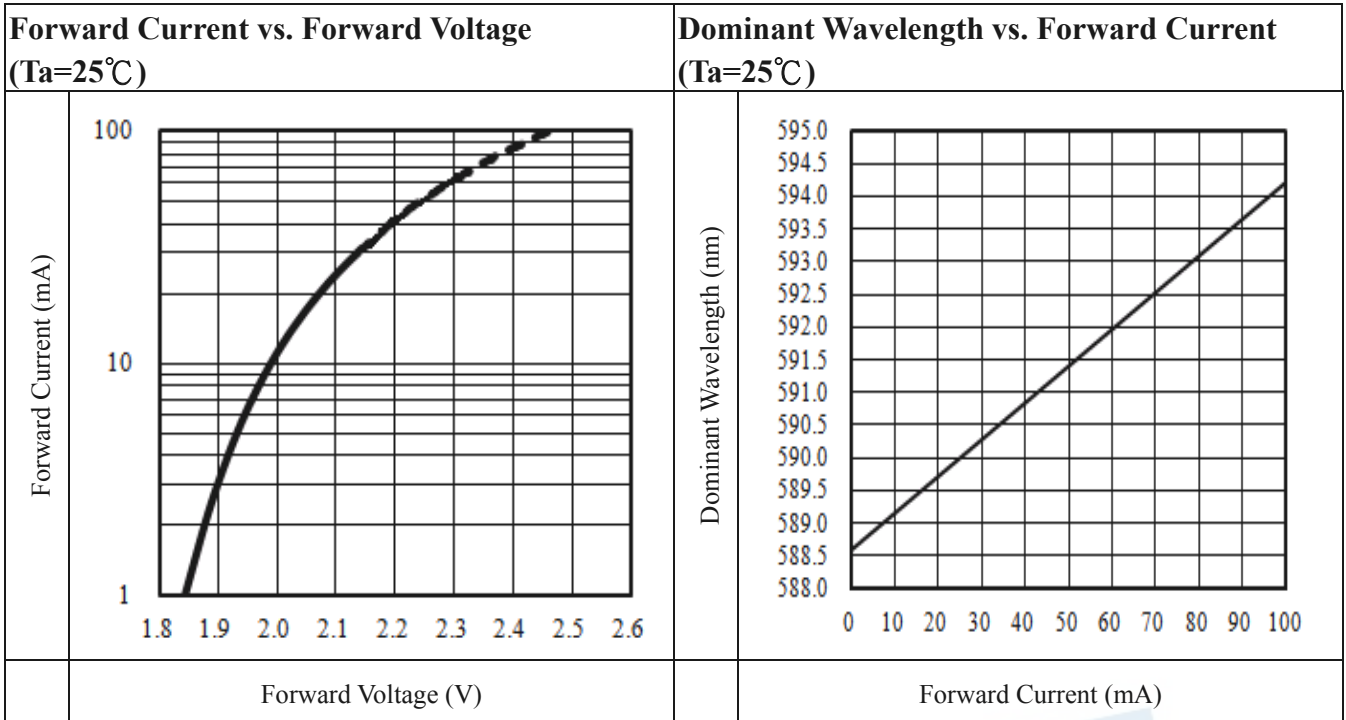


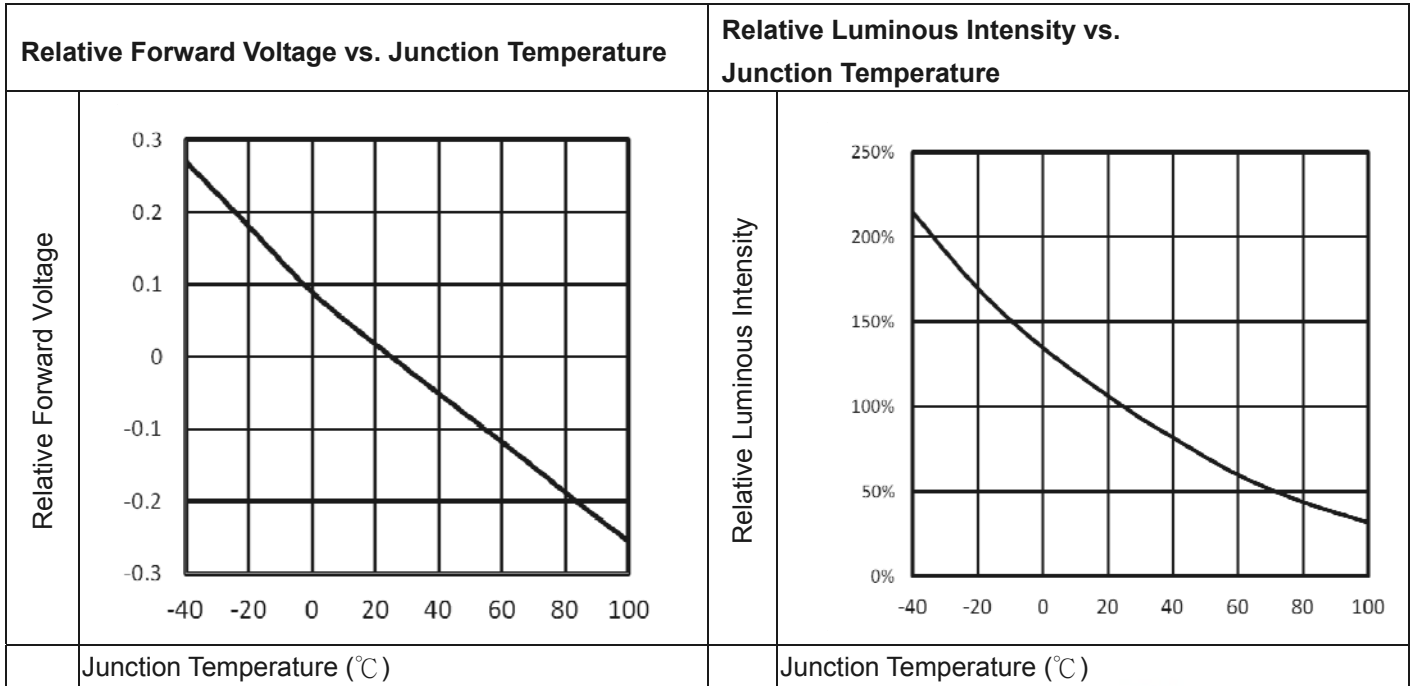
Note: V(λ)=Standard eye response curve;

Diagram Characteristics of Radiation



Typical Electro-Optical Characteristics Curves



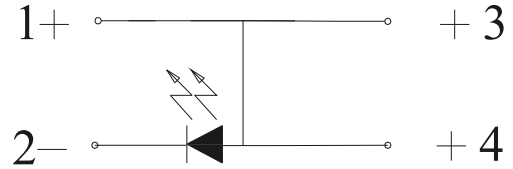
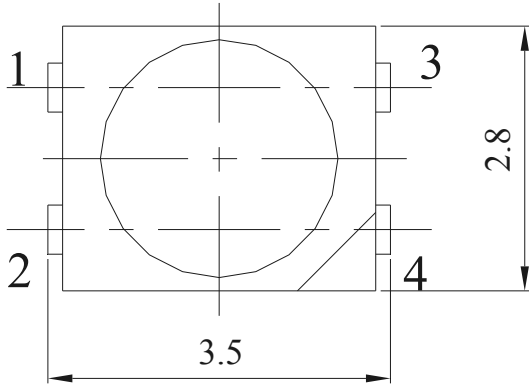


Note: $\Delta V_F = V_F - V_F(25^\circ\text{C}) = f(T_j)$; $I_F = 50\text{mA}$

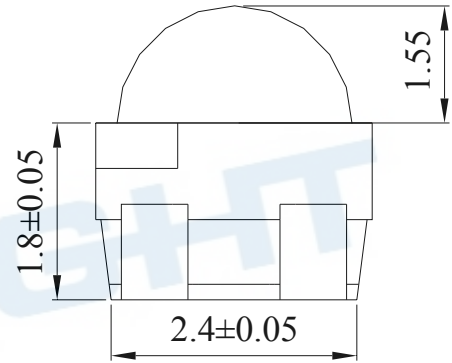
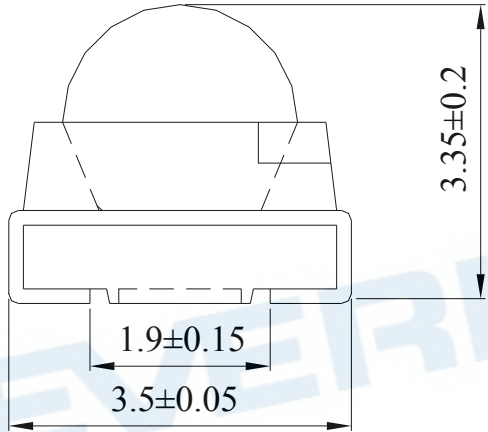
Note: $f(T_j) = I_v / I_v(25^\circ\text{C})$; $I_F = 50\text{mA}$



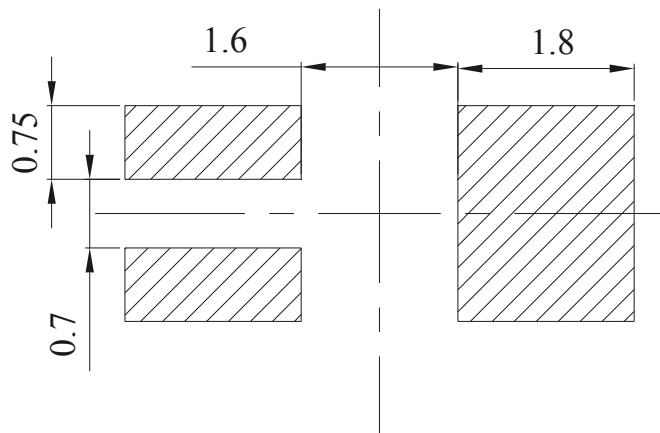
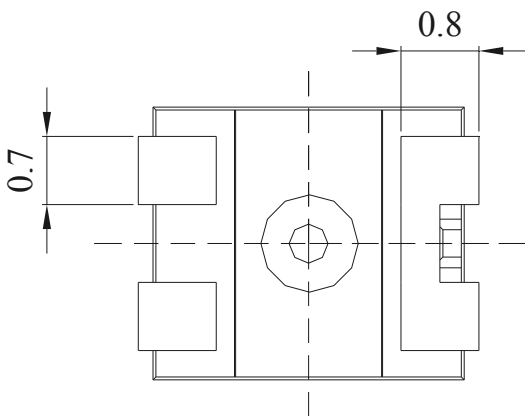
Package Dimension



Polarity



for reflow
 soldering (propose)

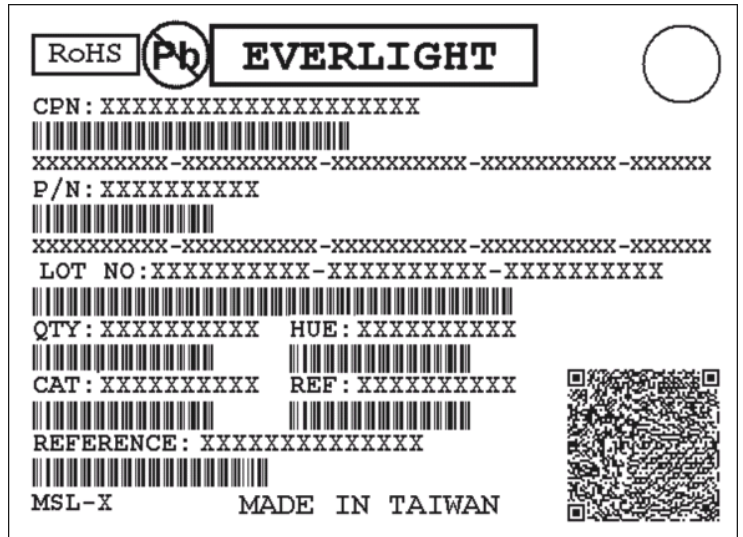


Note: Tolerances unless mentioned ±0.1mm. Unit = mm

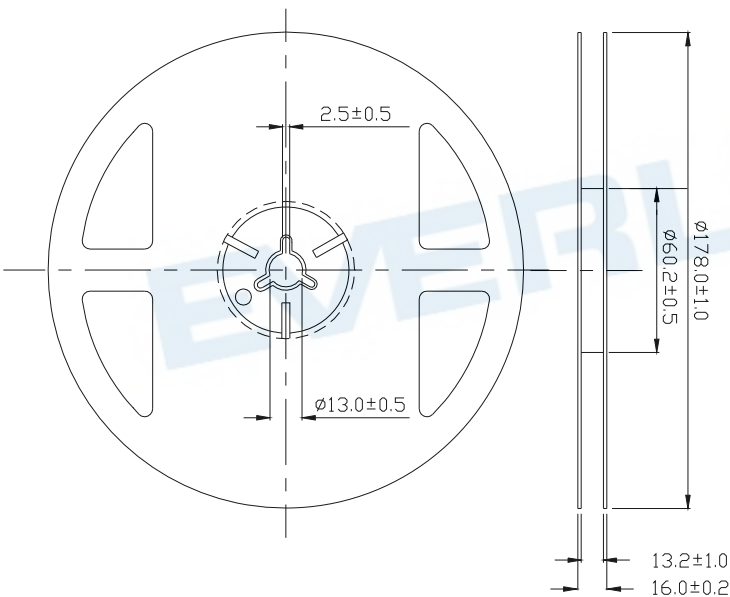
Moisture Resistant Packing Materials

Label Explanation

- CPN: Customer's Product Number
- P/N: Product Number
- QTY: Packing Quantity
- CAT: Luminous Intensity Rank
- HUE: Dom. Wavelength Rank
- REF: Forward Voltage Rank
- LOT No: Lot Number

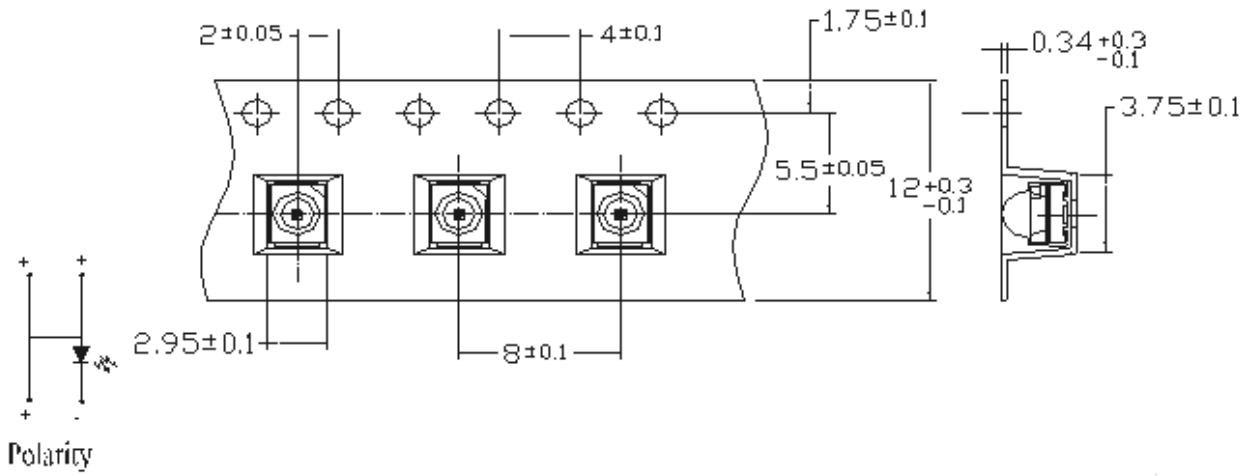


Reel Dimensions



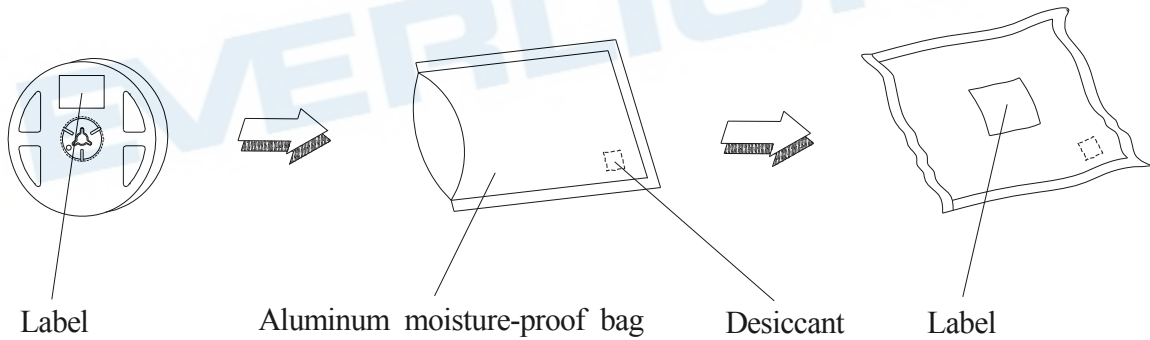
Note: Unit = mm

Carrier Tape Dimensions: Loaded Quantity 500 pcs Per Reel



Note:
 The tolerances unless mentioned is : ± 0.1 mm, Unit = mm

Moisture Resistant Packing Process



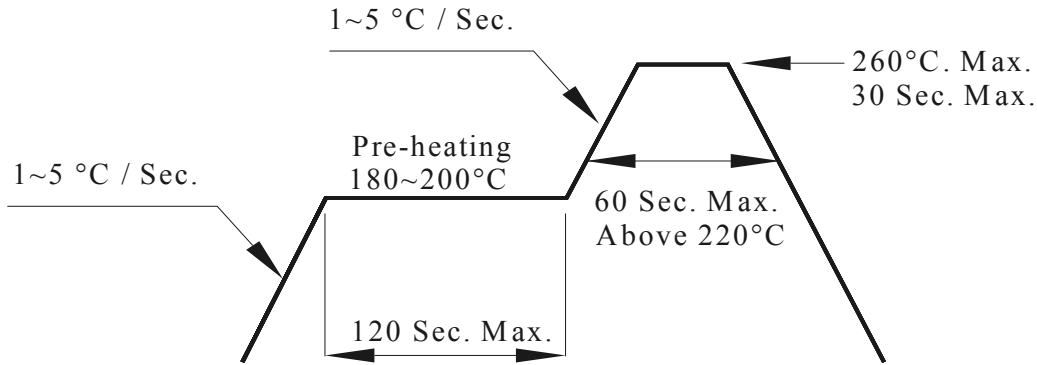
Note:
 Tolerances unless mentioned ± 0.1 mm. Unit = mm

Precautions For Use

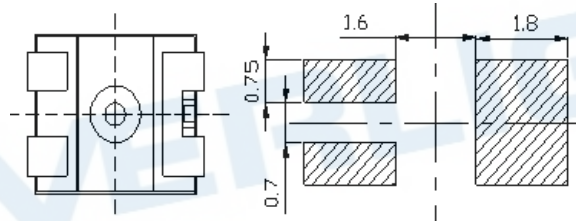
Precautions for Use

1. Soldering Condition (Reference: IPC/JEDEC J-STD-020D)

a. IR reflow



(B) Recommend soldering pad



Note: Tolerances unless mentioned ± 0.1 mm. Unit = mm

2. Current limiting

A resistor should be used to limit current spikes that can be caused by voltage fluctuations. Otherwise damage could occur.

3. Storage

- 3.1 Moisture proof bag should only be opened immediately prior to usage.
- 3.2 Environment should be less than 30°C and 60% RH when moisture proof bag is opened.
- 3.3 After opening the package MSL Conditions stated on page 1 of this spec should not be exceeded.
- 3.4 If the moisture sensitivity card indicates higher than acceptable moisture, the component should be baked at min. 60deg +/-5deg for 24 hours.

4. Iron Soldering

Hand soldering is not recommended for regular production. These guidelines are for rework only. Soldering iron tip should contact each terminal no more than 3 sec at 350°C, using soldering iron with nominal power less than 25W. Allow min. 2 sec. between soldering intervals.

5. Usage

Do not exceed the values given in this specification.

Application Restrictions

High reliability applications such as military/aerospace, automotive safety/security systems, and medical equipment may require different product. If you have any concerns, please contact Everlight before using this product in your application. This specification guarantees the quality and performance of the product as an individual component. Do not use this product beyond the specification described in this document.

EVERLIGHT

X-ON Electronics

Largest Supplier of Electrical and Electronic Components

Click to view similar products for [everlight manufacturer](#):

Other Similar products are found below :

[11-21/R8C-AP1Q2B/2T](#) [HLMP4719](#) [ELSH-F71G1-0LPNM-CG2G3](#) [MAN6760](#) [EL3063S1\(TA\)](#) [EL452\(TA\)-VG](#) [EL-17-21SURC/S530-A2/TR8](#) [4N35S\(TA\)](#) [A694B/2SUR/S530-A3](#) [22-23C/R6GHBHW-C01/2C](#) [MV64521](#) [11-21SURC-S530-A3-TR8](#) [12-22SDRSYGC/S530-A3/E3/TR8](#) [IR383C](#) [MV53123](#) [HLMP2785](#) [ELSH-Q61F1-0LPNM-JF3F8](#) [MAN6940](#) [ELSW-J11C1-0CPGS-C5700](#) [MV5464MP4B](#) [204-10SUGC/S400-A4-L](#) [12-21/BHC-AP1Q2M/2C](#) [ELSH-F81M1-0CPGS-C3000](#) [PD15-21C/TR8](#) [45-21SCUM2C/L1720NE6/TR8-T](#) [EADCT056RA1](#) [61-238/LK2C-B50638F6GB2/ET](#) [HLMP-2550](#) [IR67-21C/L261/S65/TR8](#) [4N25M](#) [IR333C-F-A](#) [264-7ID](#) [45-11-BFSB-49373902E-2T8-AM](#) [MSQC4411C](#) [PD95-21B/TR10](#) [IRM-H920J5/TR2](#) [EL814](#) [1254-10SURT/S530-A3](#) [67-21/T2C-ZV1W2E/2T](#) [EL827](#) [MV8411](#) [67-31EP6-UYD8395DAFAZ5-ET0D-AM](#) [EL3083](#) [19-213SYGC/S530-E2/TR8](#) [45-21UYC/S530-A3/TR8](#) [IR908-7C\(E4\)](#) [ITR9707](#) [ELSH-F41R1-0LPNM-AR5R6](#) [99-616LM2C/L7580S76/TR8-T/ES](#) [EL4N35](#)