

Advanced Power Top View LEDs A09KU-URD0921DAEB1828Z15-1T0C-AM



Features

- P-LCC-6 package
- Small package with high efficiency
- Colorless clear resin
- Wide viewing angle 120°
- Moisture Sensitivity Level: 3 (according to JEDEC J-STD 020D)
- Qualification according to AEC-Q101 rev. C
- IR reflow or wave soldering

Applications

- Automotive Lighting Interior and Exterior.
- Signal and Symbol Luminary.
- Commercial and Industrial Illumination.
- Backlight: LCD, Switches, Push buttons.

Absolute Maximum Ratings (Ta=25 °C)

Parameter	Symbol	Rating	Unit
Forward Current	I_F	150	mA
Power Dissipation	P_d	420	mW
Junction Temperature	T_j	150	
Operating Temperature	T_{opr}	-40 ~ +100	
Storage Temperature	T_{stg}	-40 ~ +110	
Thermal Resistance (AlGaInP)	$R_{th\ J-A}$	90	K/W
	$R_{th\ J-S}$	40	K/W
ESD (Classification acc. AEC Q101)	ESD_{HBM}	2000	V
	ESD_{MM}	200	V
Soldering Temperature	T_{sol}	Reflow Soldering : 260 Hand Soldering : 350	for 30 sec. for 3 sec.

EVERLIGHT

Electro-Optical Characteristics (Ta=25 °C)

Parameter	Symbol	Min.	Typ.	Max.	Unit	Condition
Luminous Intensity	Iv	4500	---	11200	mcd	I _F =150mA
Viewing Angle	2θ _{1/2}	---	120	---	deg	I _F =150mA
Forward Voltage	V _F	1.8	---	2.8	V	I _F =150mA

Note:

1. Tolerance of Luminous Intensity: ±11%
2. Tolerance of Dominant Wavelength: ±1nm
3. Tolerance of Forward Voltage: ±0.1V

EVERLIGHT

Bin Range of Peak Wavelength

Bin Code	Min.	Max.	Unit	Condition
EE3	609	612	nm	I _F = 150mA
EE4	612	615		
EE5	615	618		
EE6	618	621		

Bin Code of Luminous Intensity

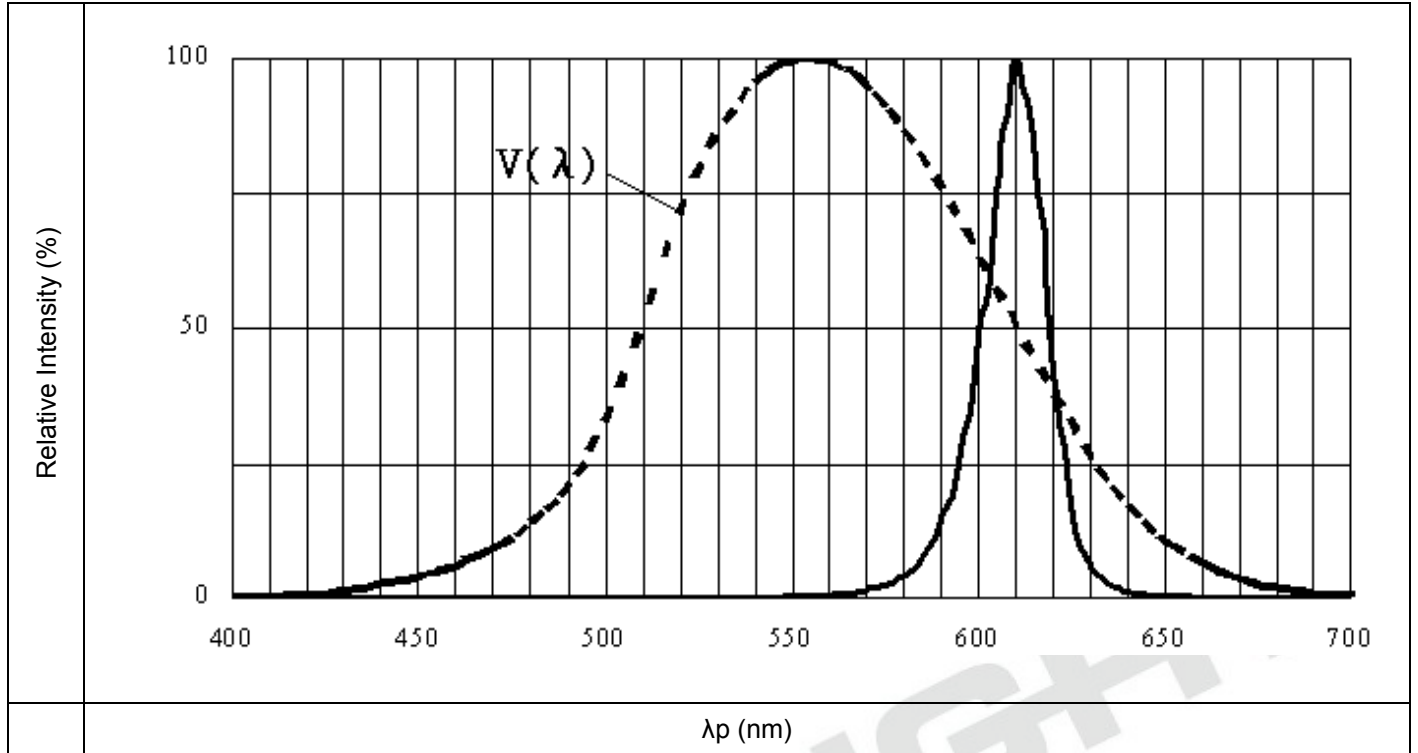
Bin Code	Min.	Max.	Unit	Condition
DA	4500	5600	mcd	I _F = 150mA
DB	5600	7100		
EA	7100	9000		
EB	9000	11200		

Bin Range of Forward Voltage

Bin Code	Min.	Max.	Unit	Condition
G3-1	1.80	2.00	V	I _F = 150mA
G3-2	2.00	2.20		
G3-3	2.20	2.40		
G3-4	2.40	2.60		
G3-5	2.60	2.80		

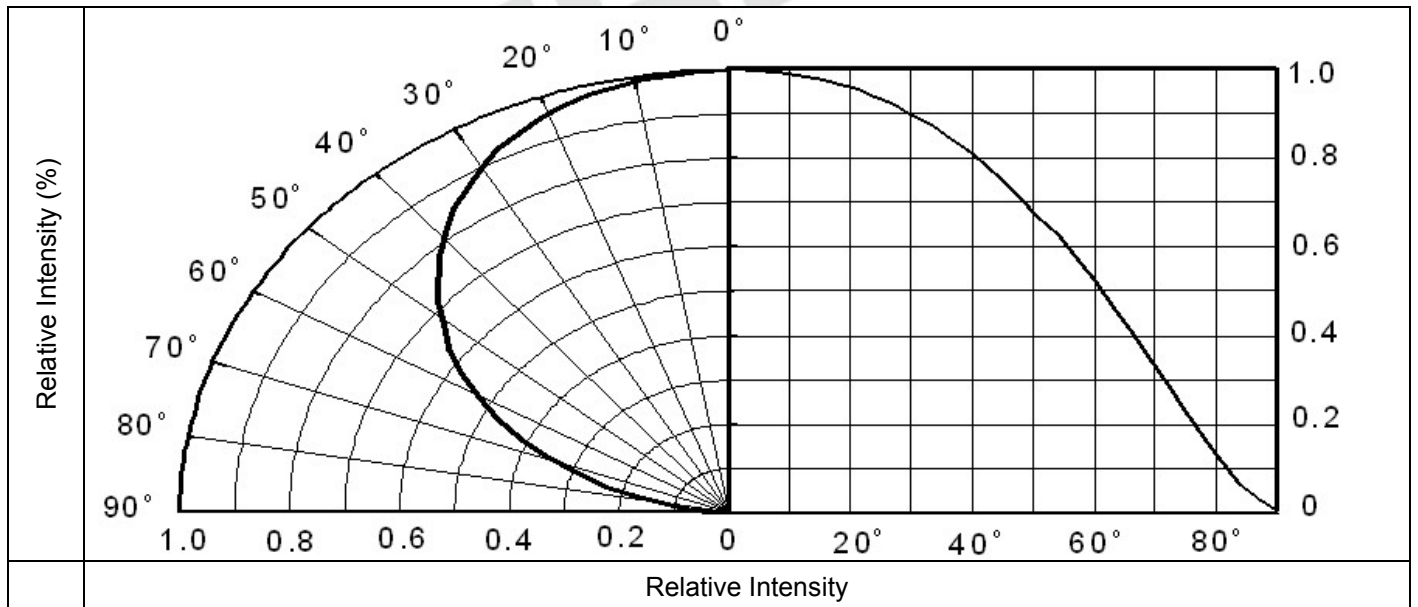
Typical Electro-Optical Characteristics Curves

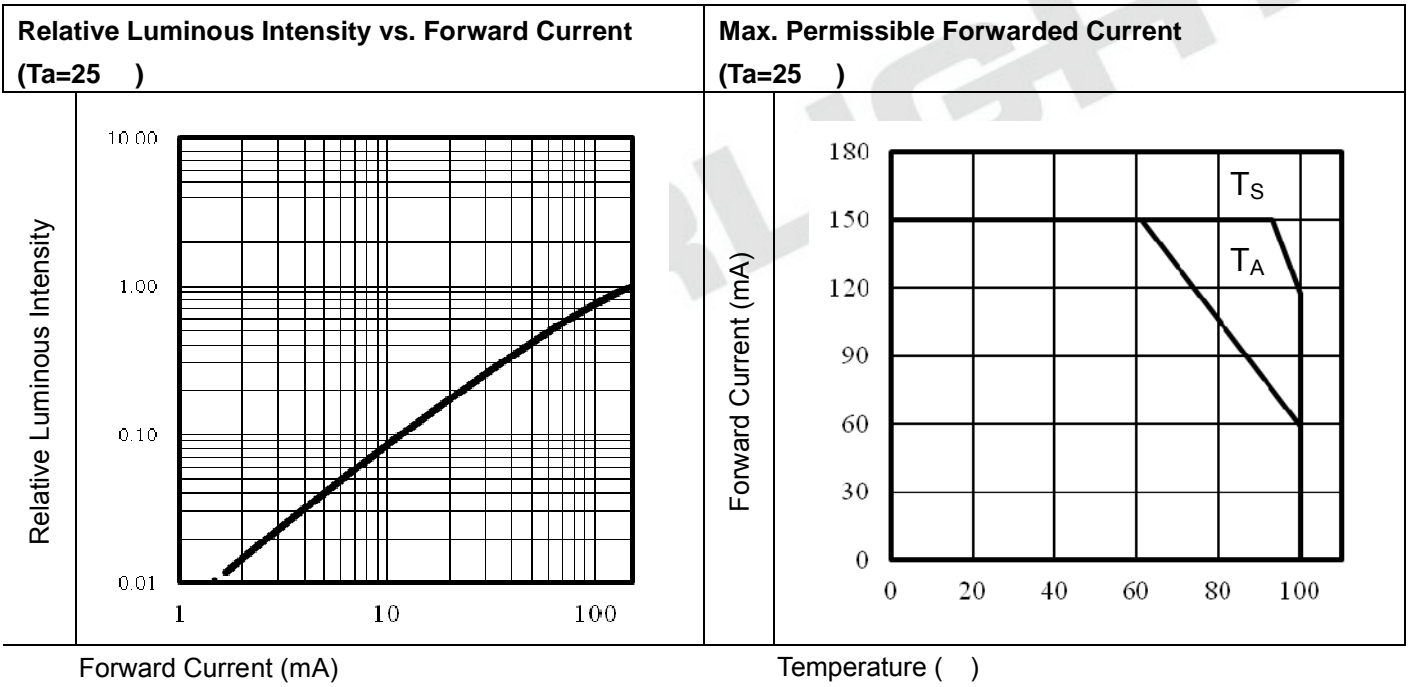
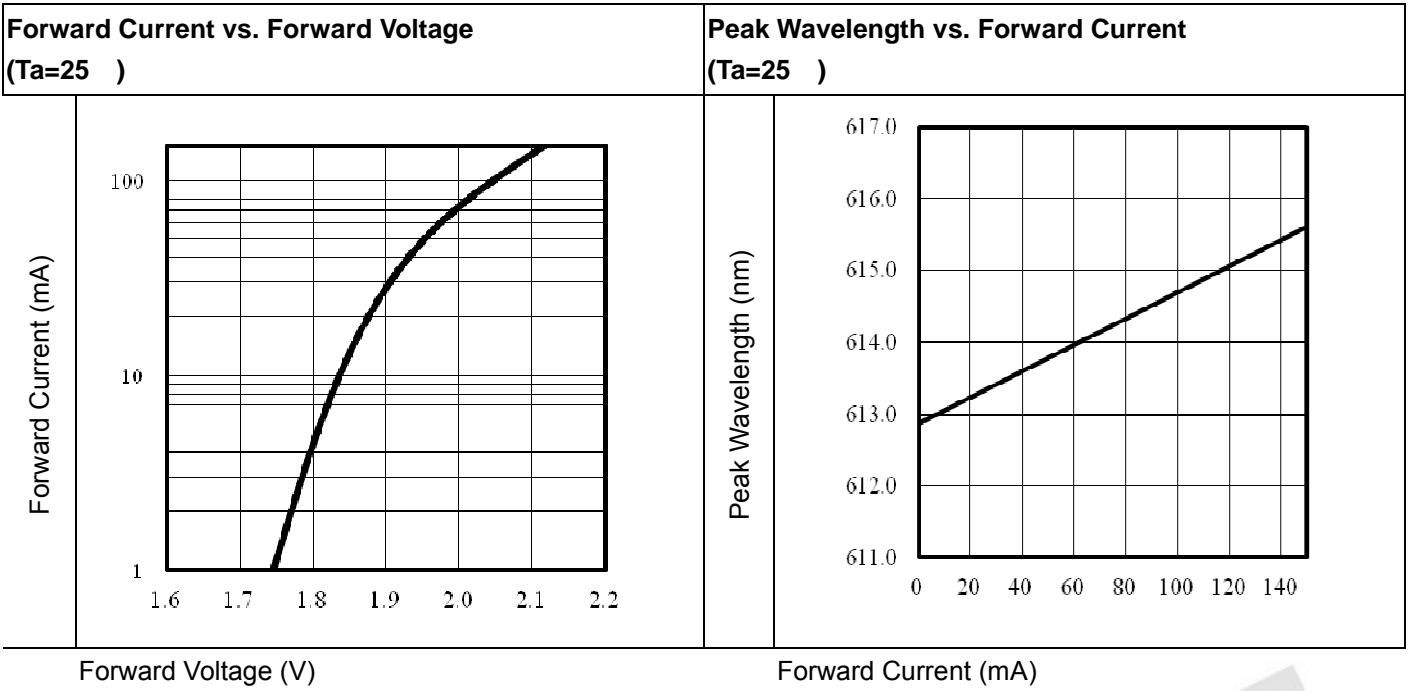
Typical Curve of Spectral Distribution



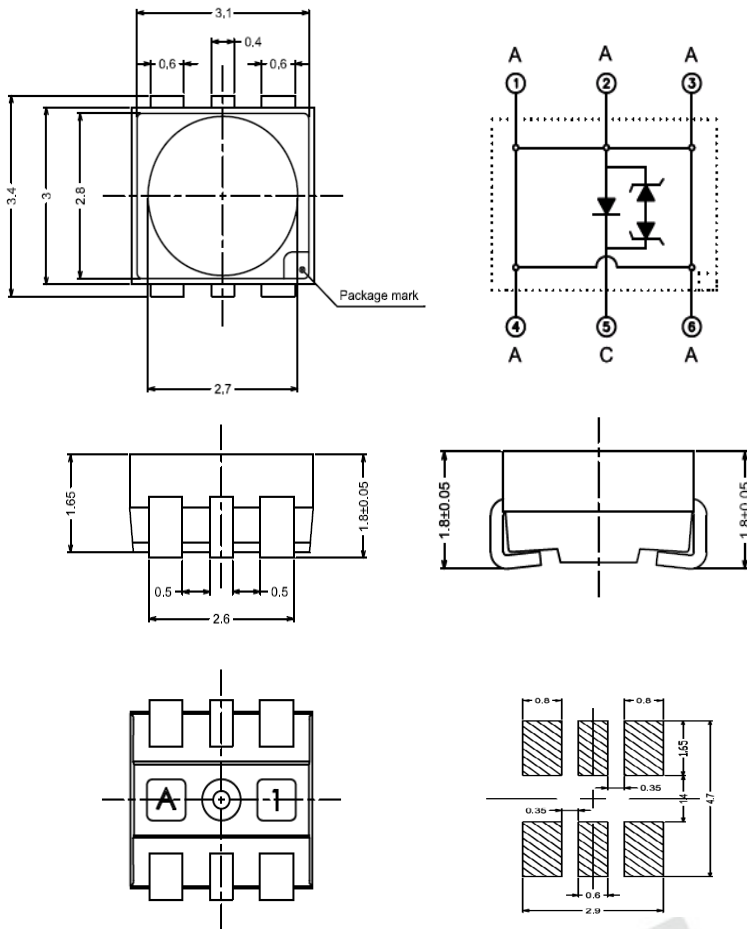
Note: $V(\lambda)$ =Standard eye response curve; $I_f = 150\text{mA}$

Diagram Characteristics of Radiation

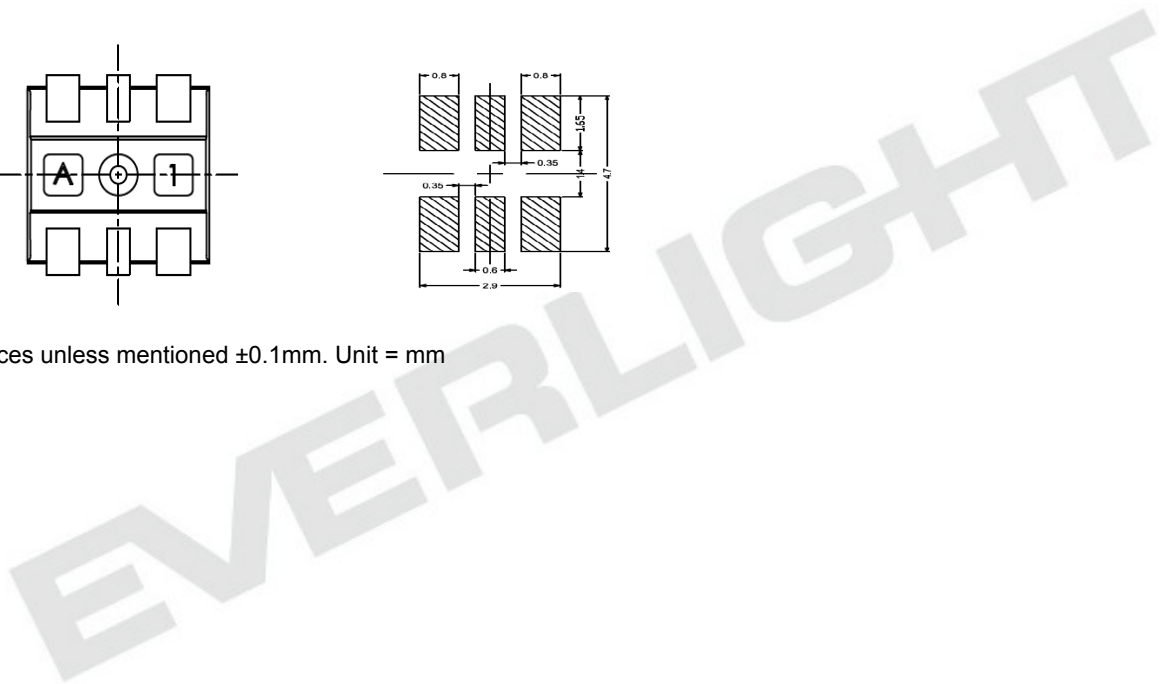




Package Dimension



Note: Tolerances unless mentioned $\pm 0.1\text{mm}$. Unit = mm



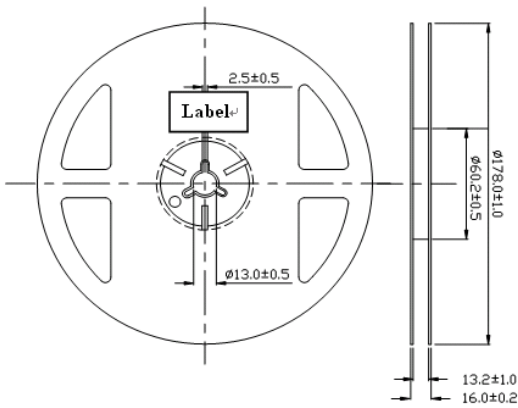
Moisture Resistant Packing Materials

Label Explanation

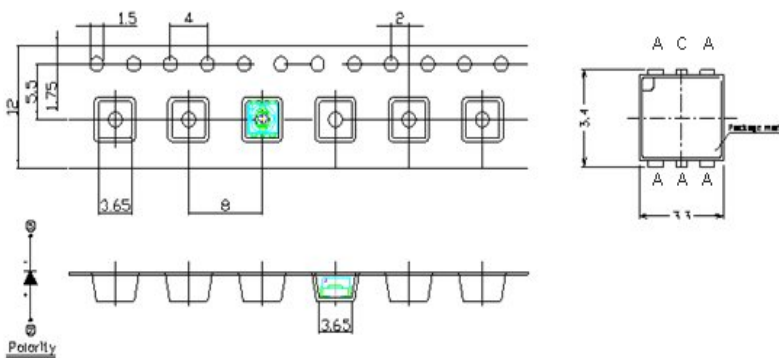


- CPN: Customer's Product Number
- P/N: Product Number
- QTY: Packing Quantity
- CAT: Luminous Intensity Rank
- HUE: Dom. Wavelength Rank
- REF: Forward Voltage Rank
- LOT No: Lot Number

Reel Dimensions

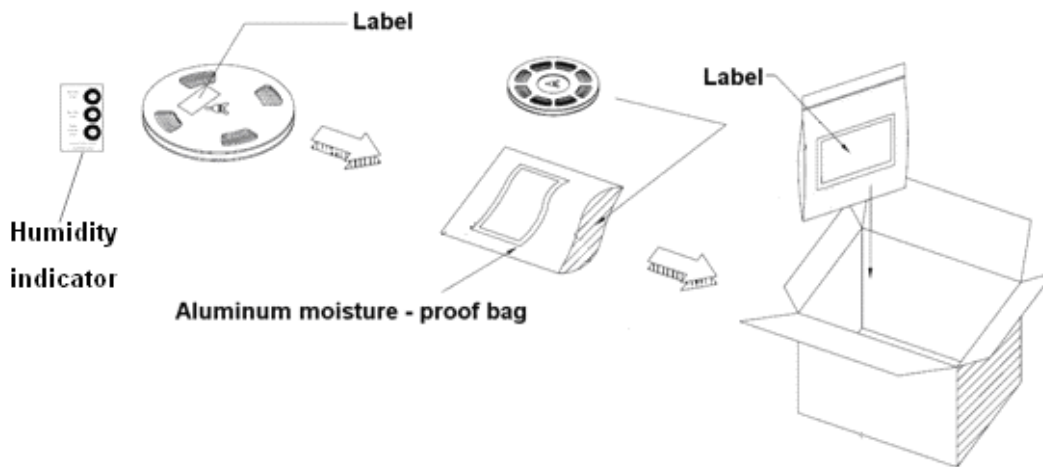


Carrier Tape Dimensions: Loaded Quantity 1000 pcs Per Reel



Note: Tolerances unless mentioned ± 0.1 mm. Unit = mm

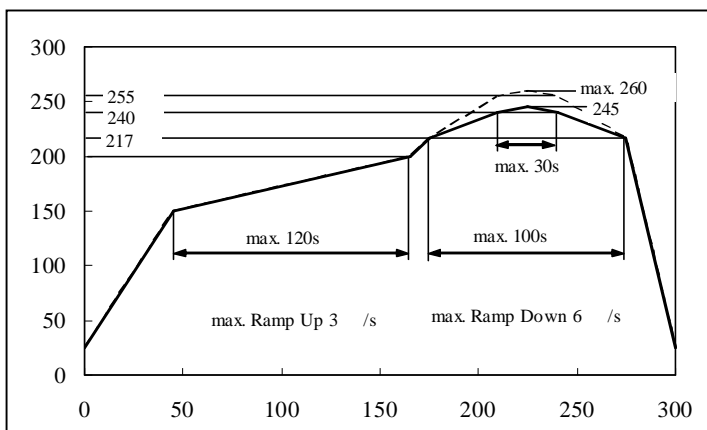
Moisture Resistant Packing Process



Note: Tolerances unless mentioned $\pm 0.1\text{mm}$. Unit = mm

Precautions for Use

1. Soldering Condition (Reference: IPC/JEDEC J-STD-020D) IR Reflow



2. Current Limiting

Though A09K has conducted ESD protection mechanism, customers must not use the device in reverse and should apply resistors for extra protection. Otherwise, slight voltage difference may cause enormous current shift and burn out failure would happen.

3. Storage

- 3.1 Moisture proof bag should only be opened immediately prior to usage.
- 3.2 Environment should be less than 30 and 60 % RH when moisture proof bag is opened.
- 3.3 If the moisture sensitivity card indicates higher than acceptable moisture, the component should be baked at min. 60 deg +/-5 deg for 24 hours.

4. Thermal Management

4.1 For maintaining the high flux output and achieving reliability, A09K series LEDs should be mounted on a metal core printed circuit board (MCPCB) or other kinds of heat sink with proper thermal connection to dissipate approximate 0.5

W of thermal energy at 150 mA operation.

4.2 Sufficient thermal management must be implemented. Otherwise, the junction temperature of dies might be over the limit at high current driving condition and LEDs' lifetime might be decreases dramatically.

5. Iron Soldering

Hand soldering is not recommended for regular production. These guidelines are for rework only. Soldering iron tip should contact each terminal no more than 3 sec at 350 , using soldering iron with nominal power less than 25 W. Allow min. 2 sec. between soldering intervals.

6. Usage

Do not exceed the values given in this specification.

Application Restrictions

High reliability applications such as military/aerospace, automotive safety/security systems, and medical equipment may require different product. If you have any concerns, please contact Everlight before using this product in your application. This specification guarantees the quality and performance of the product as an individual component. Do not use this product beyond the specification described in this document.

EVERLIGHT

X-ON Electronics

Largest Supplier of Electrical and Electronic Components

Click to view similar products for [Standard LEDs - SMD category](#):

Click to view products by [Everlight manufacturer](#):

Other Similar products are found below :

[LTST-C190KYKT](#) [LTST-C19GD2WT](#) [LTW-170ZDC](#) [LTW-M140SZS40](#) [LTW-M140ZVS](#) [598-8110-100F](#) [598-8610-202F](#) [91-21SUBCS400-A6TR7](#) [AAAF5060QBFSEEZGS](#) [APT1608QGW](#) [99-213/R6C-AR2T1B/2C](#) [SML-LX0606SISUGC/A](#) [SML-LXR851SIUPGUBC](#) [LT1ED53A](#) [APFA3010SURKCGKQBDC](#) [APHK1608VGCA](#) [APT2012QGW](#) [LTST-008BGEW](#) [LTW-010DCG](#) [LTW-020ZDCG](#) [LTW-21TS5](#) [LTW-220DS5](#) [598-8330-117F](#) [65-21SYGC/S530-E3/TR8](#) [CMDA20AYAA7D1S](#) [95-21SURCS530-A3TR10](#) [598-8040-100F](#) [598-8070-100F](#) [598-8140-100F](#) [598-8610-200F](#) [SML-LXR851SGSIC-TR](#) [SML-512PWT86A](#) [EASV3015RGYA0](#) [95-21UYC-S530-A5-TR7](#) [LTST-C190KFKT-5A](#) [LTST-C194TBKT-5A](#) [CLX6E-FKC-CH1M1D1BB7C3D3](#) [SML-LXL0805USBC-TR](#) [SML-LX2835SYSUGCTR](#) [LTW-M670ZVS-M5](#) [APA2106ZGC/G](#) [CLMXB-FKA-CbcfghjnpACBB79463](#) [KPTD-2012LVVBC-D](#) [VFA1101W-5AY3B2-TR](#) [LCB P473-P2R2-3J7L-1-Z](#) [91-21VGC/S556/S68/TR10/S370](#) [LW A67C-S2U1-FK0KM0](#) [LW A673-P1S1-FK0PM0](#) [BL-HE1G033B-TRB](#) [5988B90107F](#)