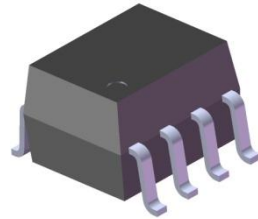


Features:

- High speed 10Mbit/s
- 10kV/ μ s minimum common mode transient immunity at $V_{CM}= 1KV$ (EL0611)
- Guaranteed performance from -40 to 85°C
- Wide operating temperature range of -40°C to 100°C
- Logic gate output
- High isolation voltage between input and output ($V_{iso}=3750 V rms$)
- Pb free and RoHS and Halogen free compliant.
- cUL approved (No. E214129)
- VDE approved (No. 40028116)
- SEMKO approved
- NEMKO approved
- DEMKO approved
- FIMKO approved



Description

The EL0600, EL0601 and EL0611 devices each consists of an infrared emitting diode optically coupled to a high speed integrated photo detector logic gate with a strobable output.

The devices are packaged in an 8-pin small outline package which conforms to the standard SO8 footprint.

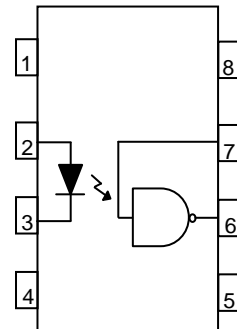
Applications

- Ground loop elimination
- LSTTL to TTL, LSTTL or 5 volt CMOS
- Line receiver, data transmission
- Data multiplexing
- Switching power supplies
- Pulse transformer replacement
- Computer peripheral interface

Truth Table (Positive Logic)

Input	Enable	Output
H	H	L
L	H	H
H	L	H
L	L	H
H	NC	L
L	NC	H

Schematic



A 0.1 μ F bypass capacitor must be connected between pins 8 and 5^{*3}

Pin Configuration

- 1, No Connection
- 2, Anode
- 3, Cathode
- 4, No Connection
- 5, Gnd
- 6, Vout
- 7, V_E
- 8, V_{CC}

Absolute Maximum Ratings ($T_a=25^{\circ}\text{C}$)

Parameter		Symbol	Rating	Unit
Input	Forward current	I_F	20	mA
	Enable input voltage Not exceed V_{CC} by more than 500mV	V_E	5.5	V
	Reverse voltage	V_R	5	V
	Power dissipation	P_D	40	mW
Output	Power dissipation	P_C	85	mW
	Enable input current	I_E	5	mA
	Output current	I_O	50	mA
	Output voltage	V_O	7.0	V
	Supply voltage	V_{CC}	7.0	V
Output Power Dissipation		P_O	100	mW
Isolation voltage ^{*1}		V_{ISO}	3750	V rms
Operating temperature		T_{OPR}	-40 ~ +100	$^{\circ}\text{C}$
Storage temperature		T_{STG}	-55 ~ +125	$^{\circ}\text{C}$
Soldering temperature ^{*2}		T_{SOL}	260	$^{\circ}\text{C}$

Notes

*1 AC for 1 minute, R.H.= 40 ~ 60% R.H. In this test, pins 1 , 2 , 3 & 4 are shorted together, and pins 5 , 6 , 7 & 8 are shorted together.

*2 For 10 seconds.

Electrical Characteristics ($T_a=-40$ to 85°C unless specified otherwise)

Input

Parameter	Symbol	Min.	Typ.*	Max.	Unit	Condition
Forward voltage	V_F	-	1.4	1.8	V	$I_F = 10\text{mA}$
Reverse voltage	V_R	5.0	-	-	V	$I_R = 10\mu\text{A}$
Temperature coefficient of forward voltage	$\Delta V_F/\Delta T_A$	-	-1.8	-	mV/ $^{\circ}\text{C}$	$I_F = 10\text{mA}$
Input capacitance	C_{IN}	-	60	-	pF	$V_F = 0, f = 1\text{MHz}$

Output

Parameter	Symbol	Min.	Typ.*	Max.	Unit	Condition
High level supply current	I_{CCH}	-	-	10	mA	$I_F = 10\text{mA}, V_E = 0.5\text{V}, V_{CC} = 5.5\text{V}$
Low level supply current	I_{CCL}	-	-	13	mA	$I_F = 0\text{mA}, V_E = 0.5\text{V}, V_{CC} = 5.5\text{V}$
High level enable current	I_{EH}	-	-	-1.6	mA	$V_E = 2.0\text{V}, V_{CC} = 5.5\text{V}$
Low level enable current	I_{EL}	-	-	-1.6	mA	$V_E = 0.5\text{V}, V_{CC} = 5.5\text{V}$
High level enable voltage	V_{EH}	2.0	-	-	V	$I_F = 10\text{mA}, V_{CC} = 5.5\text{V}$
Low level enable voltage ^{*4}	V_{EL}	-	-	0.8	V	$I_F = 10\text{mA}, V_{CC} = 5.5\text{V}$

Transfer Characteristics ($T_a=-40$ to 85°C unless specified otherwise)

Parameter	Symbol	Min.	Typ.*	Max.	Unit	Condition
HIGH Level Output Current	I_{OH}	-	-	100	μA	$V_{CC} = 5.5\text{V}, V_O = 5.5\text{V}, I_F = 250\mu\text{A}, V_E = 2.0\text{V}$
LOW Level Output Current	V_{OL}	-	-	0.6	V	$V_{CC} = 5.5\text{V}, I_F = 5\text{mA}, V_E = 2.0\text{V}, I_{CL} = 13\text{mA}$
Input Threshold Current	I_{FT}	-	-	5	mA	$V_{CC} = 5.5\text{V}, V_O = 0.6\text{V}, V_E = 2.0\text{V}, I_{OL} = 13\text{mA}$

Switching Characteristics (T_a=-40 to 85°C, V_{CC}=5V, I_F=7.5mA unless specified otherwise)

Parameter	Symbol	Min.	Typ.*	Max.	Unit	Condition
Propagation delay time to output High level ^{*5} (Fig.12)	T _{PHL}	-	35	75	ns	C _L = 15pF, R _L =350Ω, TA=25°C
Propagation delay time to output Low level ^{*6} (Fig.12)	T _{PLH}	-	45	75	ns	C _L = 15pF, R _L =350Ω, TA=25°C
Pulse width distortion	T _{phl} – T _{plh}	-	10	35	ns	C _L = 15pF, R _L =350Ω
Output rise time (Fig.12) ^{*7}	tr	-	30	40	ns	C _L = 15pF, R _L =350Ω
Output fall time (Fig.12) ^{*8}	tf	-	10	20	ns	C _L = 15pF, R _L =350Ω
Enable Propagation Delay Time to Output High Level (Fig.13) ^{*9}	t _{ELH}	-	30	40	ns	I _F = 7.5mA, V _{EH} =3.5V, C _L = 15pF, R _L =350Ω
Enable Propagation Delay Time to Output Low Level (Fig.13) ^{*10}	t _{EHL}	-	20	30	ns	I _F = 7.5mA, V _{EH} =3.5V, C _L = 15pF, R _L =350Ω
Common Mode Transient Immunity at Logic High ^{*11}	EL0600	-	-	-	V/μS	I _F = 7.5mA, V _{OH} =2.0V, R _L =350Ω, TA=25°C V _{CM} =10Vp-p (Fig.14)
	EL0601	5,000	-	-		I _F = 7.5mA, V _{OH} =2.0V, R _L =350Ω, TA=25°C V _{CM} =50Vp-p (Fig.14)
	EL0611	10,000	-	-		I _F = 7.5mA, V _{OH} =2.0V, R _L =350Ω, TA=25°C V _{CM} =400Vp-p (Fig.14)
	EL0611	15,000	-	-		I _F = 7.5mA, V _{OH} =2.0V, R _L =350Ω, TA=25°C V _{CM} =400Vp-p (Fig.15)
Common Mode Transient Immunity at Logic Low ^{*12}	EL0600	-	-	-	V/μS	I _F = 0mA, V _{OL} =0.8V, R _L =350Ω, TA=25°C V _{CM} =10Vp-p (Fig.14)
	EL0601	5,000	-	-		I _F = 0mA, V _{OL} =0.8V, R _L =350Ω, TA=25°C V _{CM} =50Vp-p (Fig.14)
	EL0611	10,000	-	-		I _F = 0mA, V _{OL} =0.8V, R _L =350Ω, TA=25°C V _{CM} =400Vp-p (Fig.14)
	EL0611	15,000	-	-		I _F = 7.5mA, V _{OL} =0.8V, R _L =350Ω, TA=25°C V _{CM} =400Vp-p (Fig.15)

Typical Performance Curves

Figure 1. Forward Current vs Forward Voltage

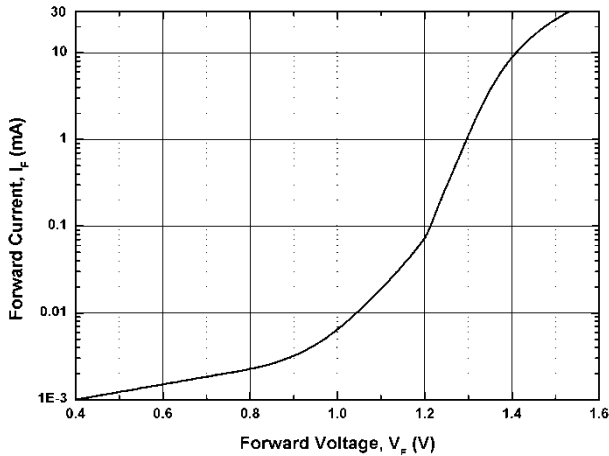


Figure 2. Low Level Output Voltage vs Ambient Temperature

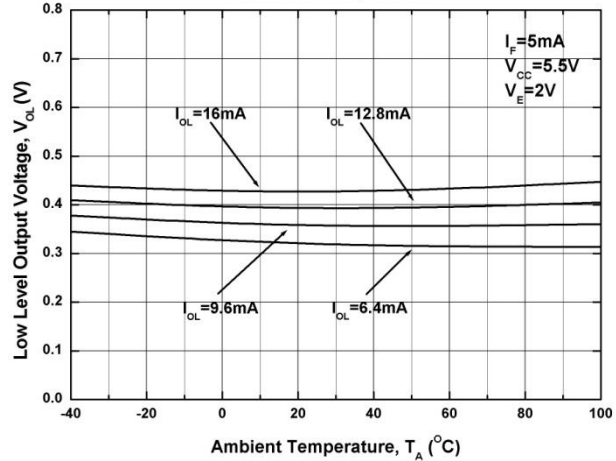


Figure 3. Low Level Output Current vs Ambient Temperature

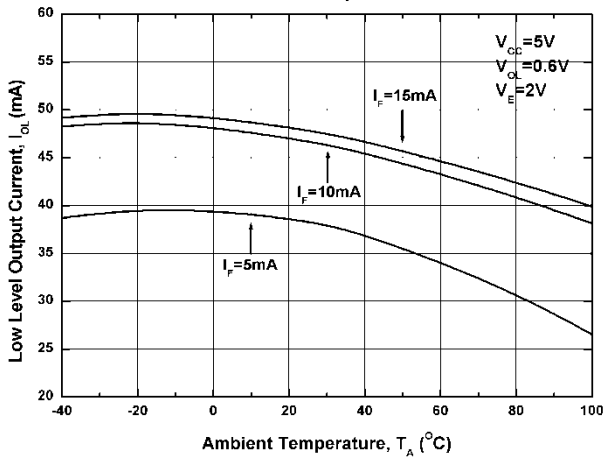


Figure 4. Input Threshold Current vs Ambient Temperature

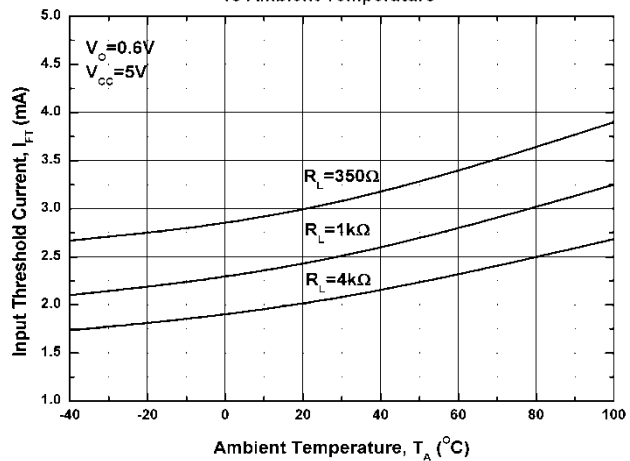


Figure 5. Input Current vs Output Voltage

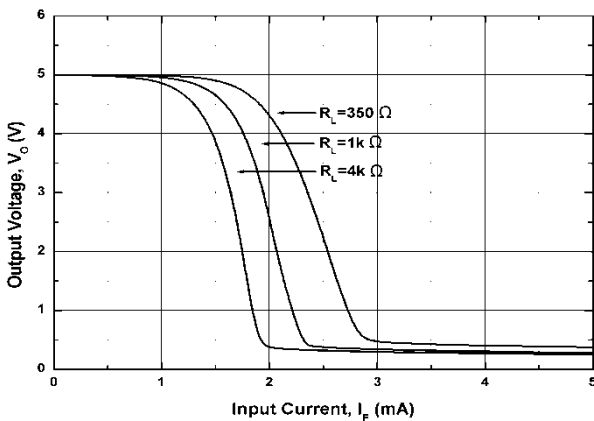


Figure 6. High Level Output Current vs Ambient Temperature

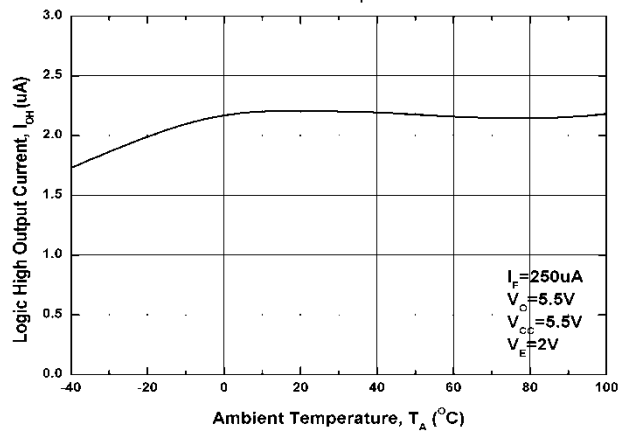


Figure 7. Propagation Delay vs. Forward Current

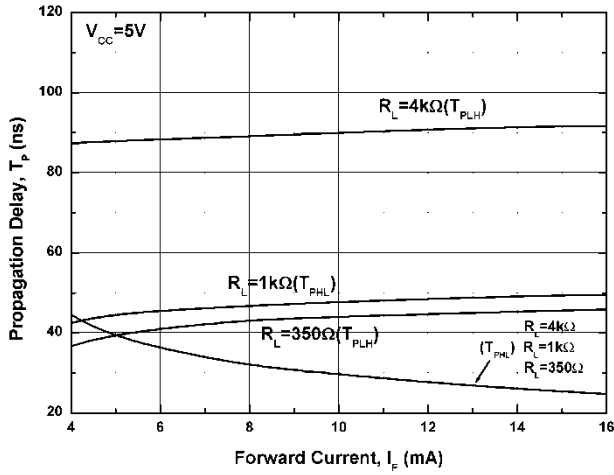


Figure 8. Propagation Delay vs. Temperature

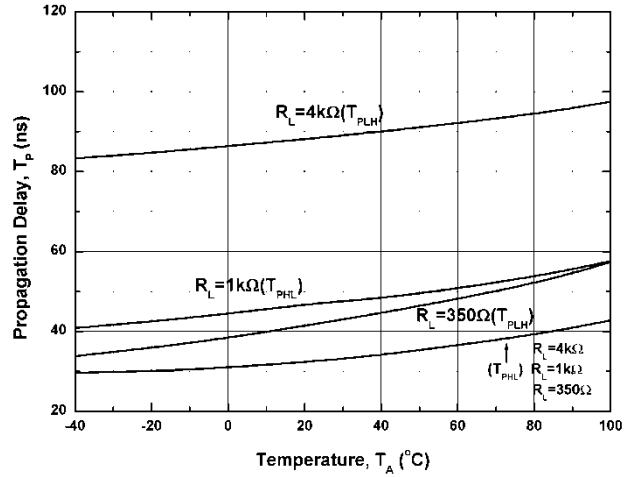


Figure 9. Pulse Width Distortion vs. Temperature

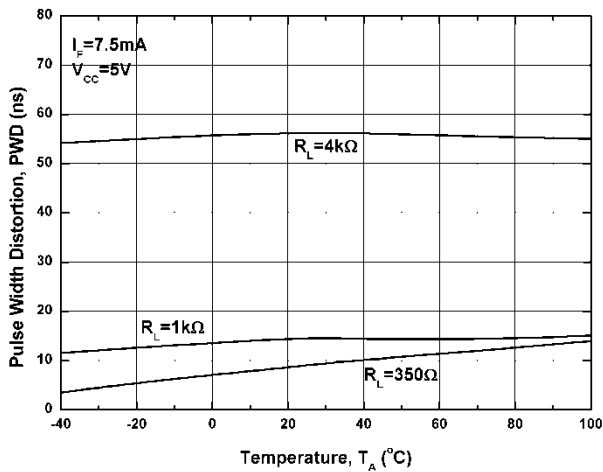


Figure 10. Rise and Fall Time vs. Temperature

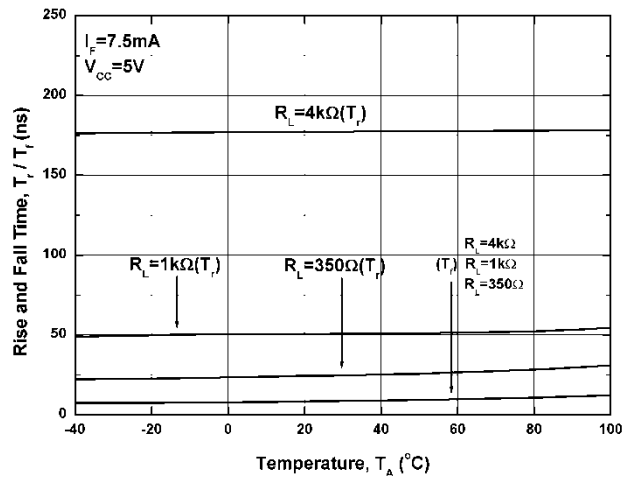
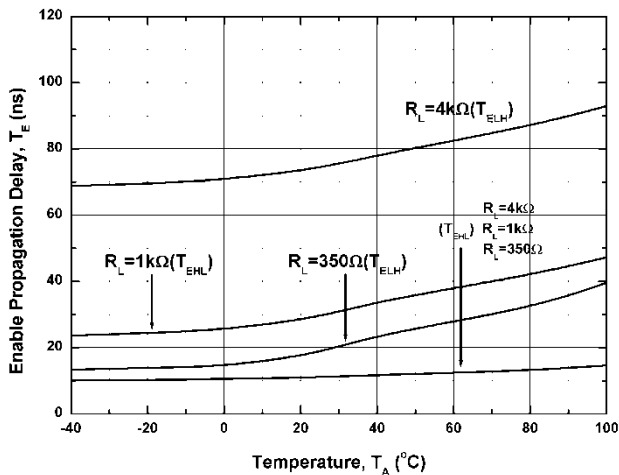


Figure 11. Enable Propagation Delay vs. Temperature



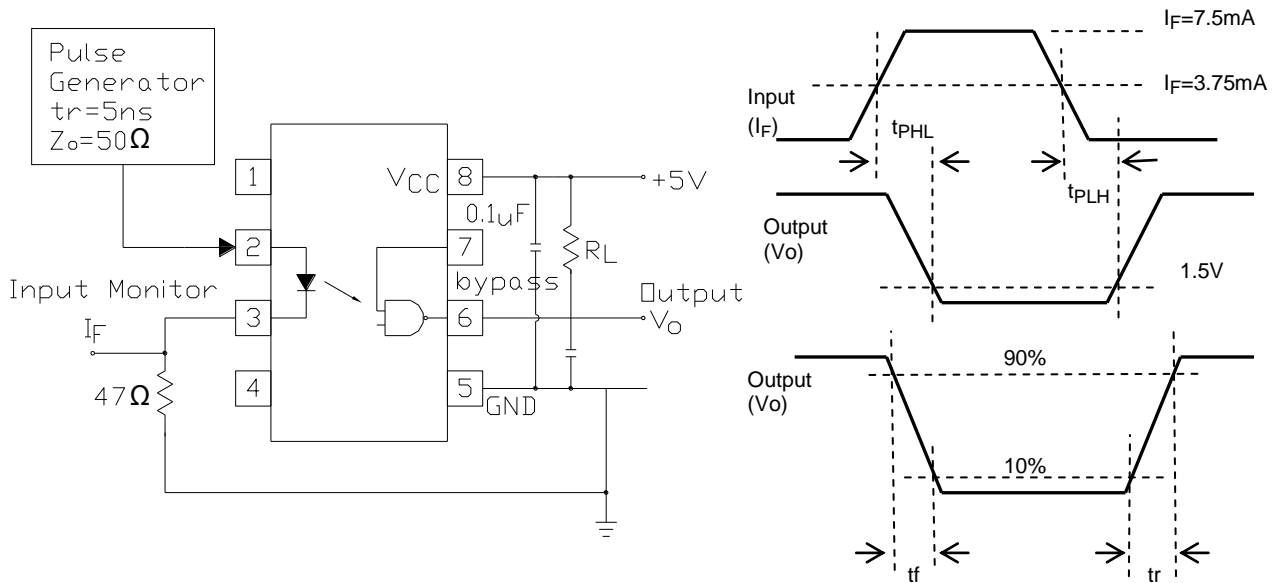


Fig. 12 Test circuit and waveforms for t_{PHL} , t_{PLH} , t_r , and t_f

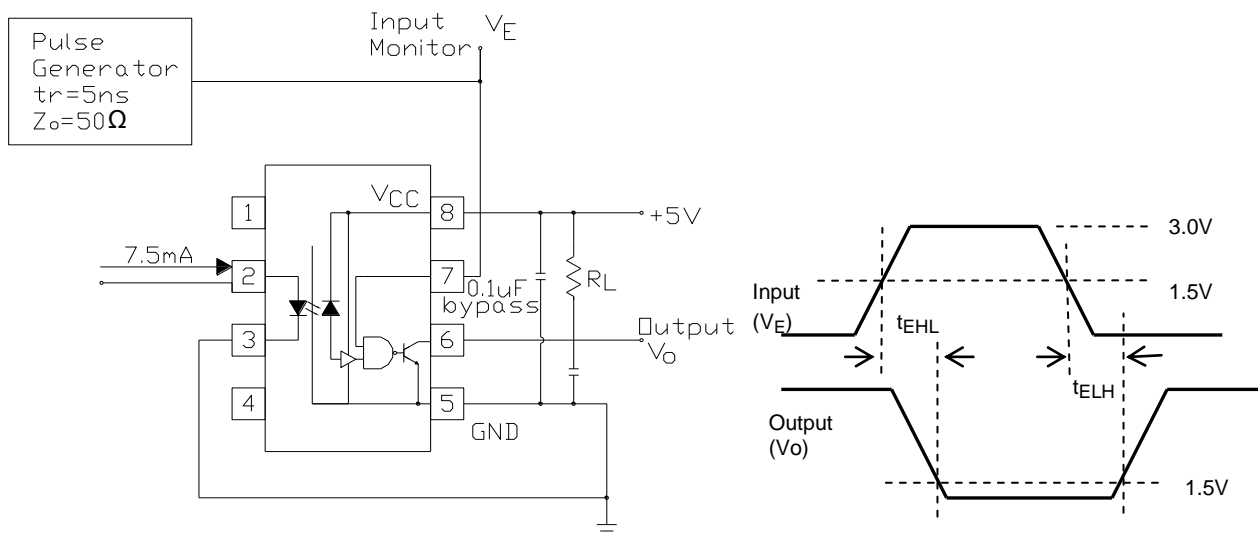


Fig. 13 Test circuit and waveform for t_{EHL} and t_{ELH}

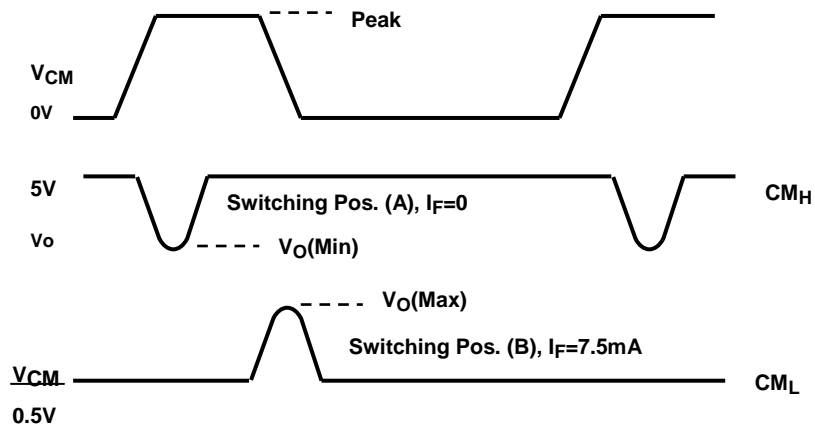
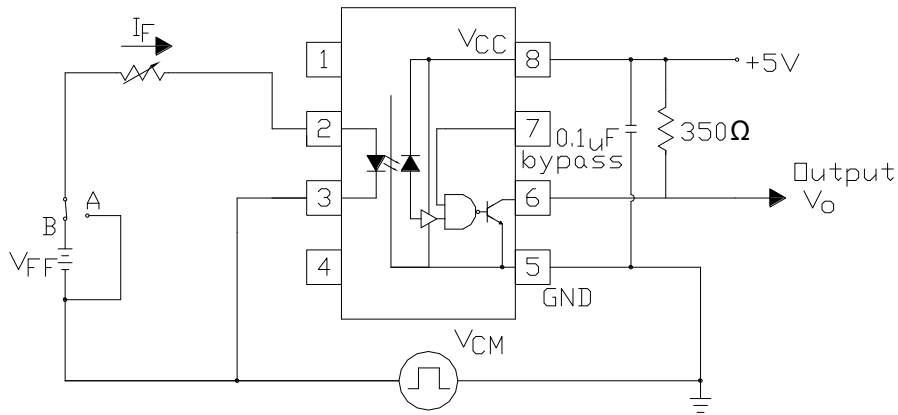


Fig. 14 Test circuit Common mode Transient Immunity

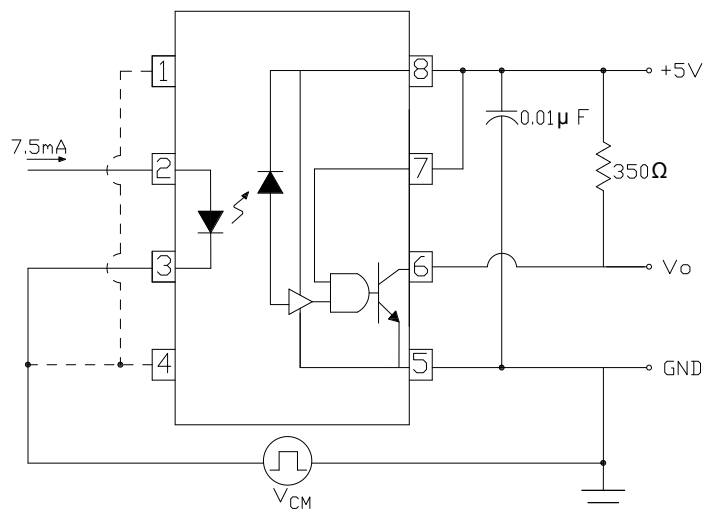


Fig. 15 Recommended drive circuit for EL0611 families for high-CMR

Notes:

- *3 The VCC supply must be bypassed by a 0.1 μ F capacitor or larger. This can be either a ceramic or solid tantalum capacitor with good high frequency characteristic and should be connected as close as possible to the package VCC and GND pins
- *4. Enable Input – No pull up resistor required as the device has an internal pull up resistor.
- *5. tPLH – Propagation delay is measured from the 3.75mA level on the HIGH to LOW transition of the input current pulse to the 1.5 V level on the LOW to HIGH transition of the output voltage pulse.
- *6. tPHL – Propagation delay is measured from the 3.75mA level on the LOW to HIGH transition of the input current pulse to the 1.5 V level on the HIGH to LOW transition of the output voltage pulse.
- *7. tr – Rise time is measured from the 90% to the 10% levels on the LOW to HIGH transition of the output pulse.
- *8. tf – Fall time is measured from the 10% to the 90% levels on the HIGH to LOW transition of the output pulse.
- *9. tELH – Enable input propagation delay is measured from the 1.5V level on the HIGH to LOW transition of the input voltage pulse to the 1.5V level on the LOW to HIGH transition of the output voltage pulse.
- *10. tEHL – Enable input propagation delay is measured from the 1.5V level on the LOW to HIGH transition of the input voltage pulse to the 1.5V level on the HIGH to LOW transition of the output voltage pulse.
- *11 CMH– The maximum tolerable rate of rise of the common mode voltage to ensure the output will remain in the HIGH state (i.e., VOUT > 2.0V).
- *12 CML– The maximum tolerable rate of rise of the common mode voltage to ensure the output will remain in the LOW output state (i.e., VOUT < 0.8V).

Order Information

Part Number

EL06XX(Z)-V

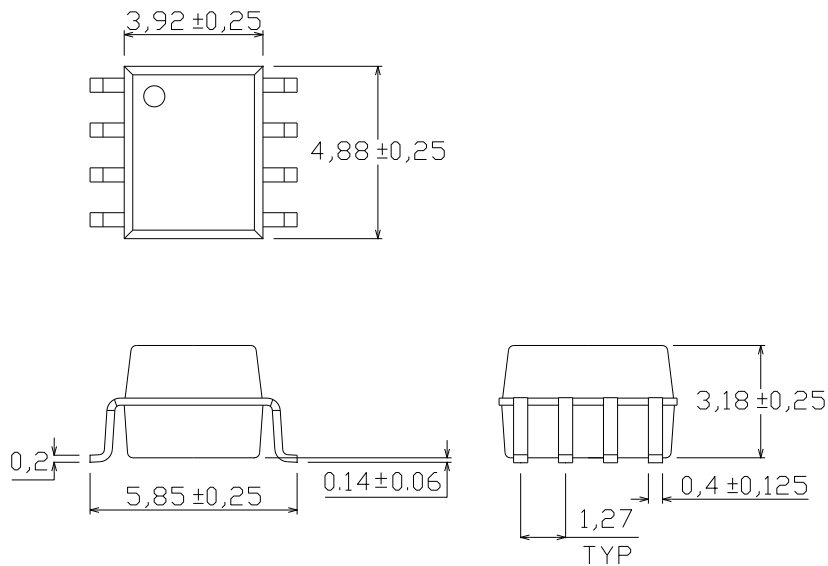
Note

- X = Part no. (X = 00, 01 or 11)
- Z = Tape and reel option (TA, TB or none).
- V = VDE (optional)

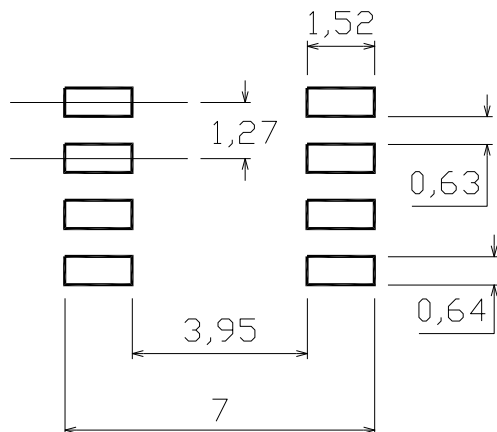
Option	Description	Packing quantity
None	Standard	100 units per tube
-V	Standard + VDE	100 units per tube
(TA)	TA tape & reel option	2000 units per reel
(TB)	TB tape & reel option	2000 units per reel
(TA)-V	TA tape & reel option + VDE	2000 units per reel
(TB)-V	TB tape & reel option + VDE	2000 units per reel

Package Drawing

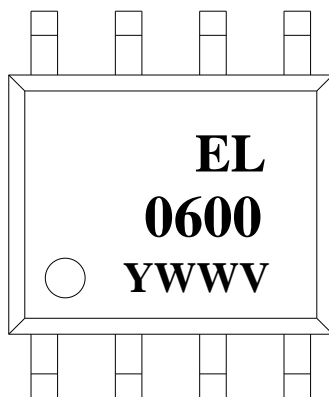
(Dimensions in mm)



Recommended pad layout for surface mount leadform



Device Marking

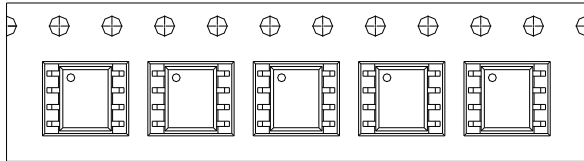


Notes

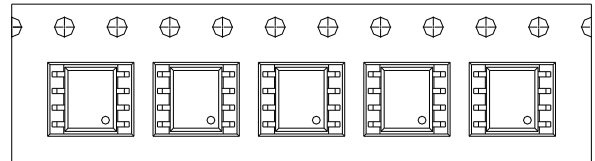
0600	denotes Device Number
Y	denotes 1 digit Year code
WW	denotes 2 digit Week code
V	denotes VDE (optional)

Tape & Reel Packing Specifications

Option TA



Option TB

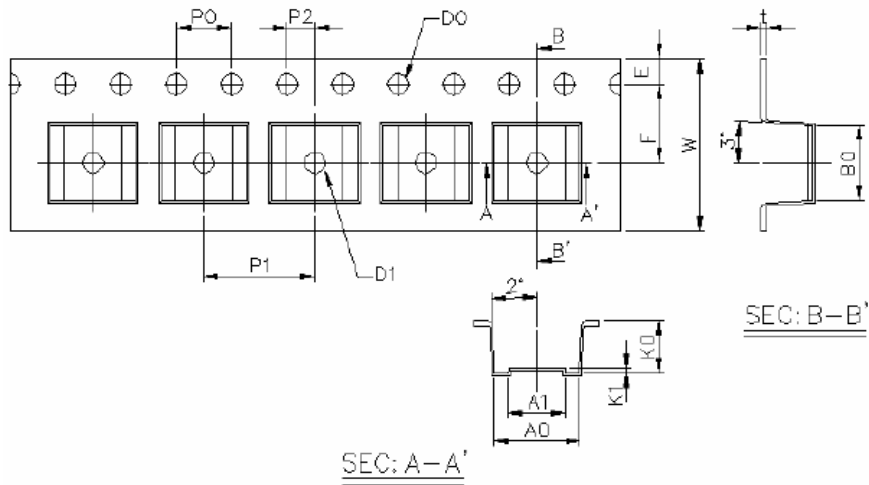


Direction of feed from reel



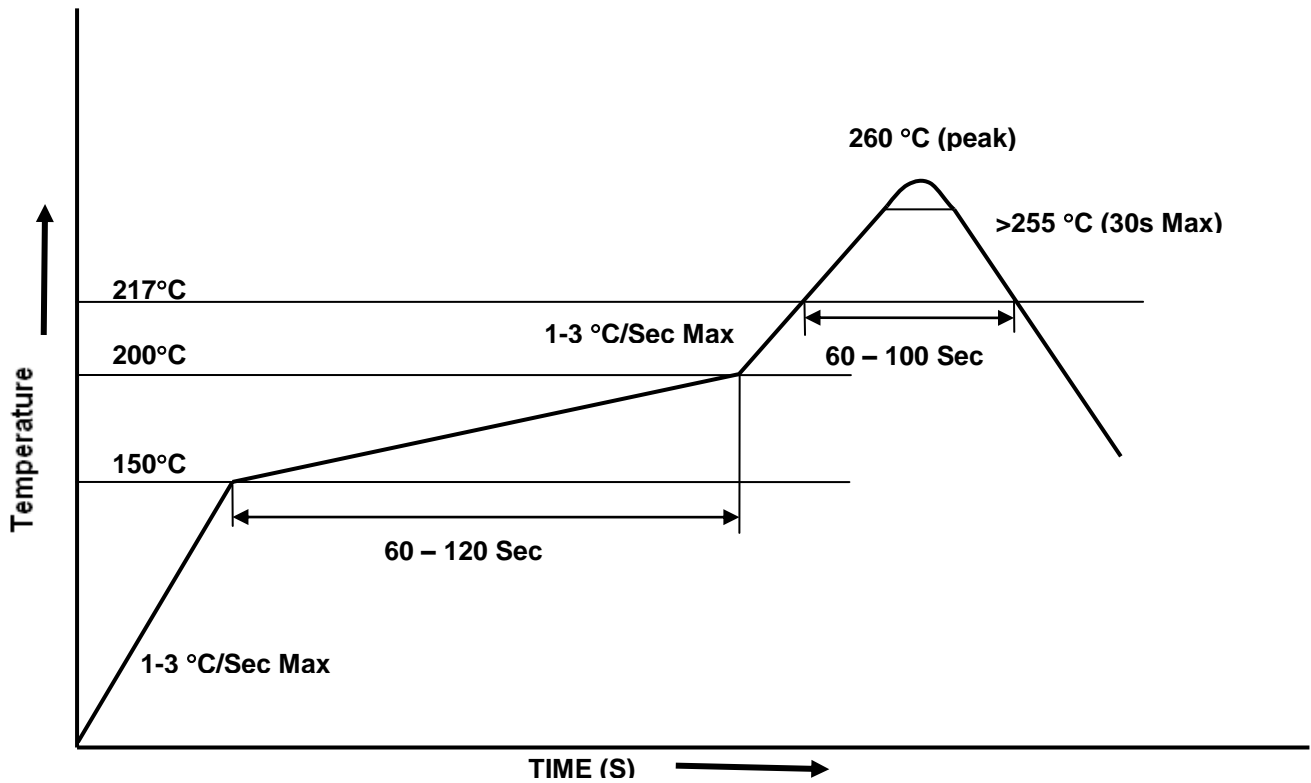
Direction of feed from reel

Tape dimensions



Dimension No.	A0	A1	B0	D0	D1	E	F
Dimension(mm)	6.2±0.1	4.1±0.1	5.28±0.1	1.5±0.1	1.5±0.3	1.75±0.1	5.5±0.1
Dimension No.	Po	P1	P2	t	W	K0	K1
Dimension(mm)	4.0±0.1	8.0±0.1	2.0±0.1	0.4±0.1	12.0+0.3/ -0.1	3.7±0.1	0.3±0.1

Solder Reflow Temperature Profile



DISCLAIMER

1. Above specification may be changed without notice. EVERLIGHT will reserve authority on material change for above specification.
2. When using this product, please observe the absolute maximum ratings and the instructions for using outlined in these specification sheets. EVERLIGHT assumes no responsibility for any damage resulting from use of the product which does not comply with the absolute maximum ratings and the instructions included in these specification sheets.
3. These specification sheets include materials protected under copyright of EVERLIGHT corporation. Please don't reproduce or cause anyone to reproduce them without EVERLIGHT's consent.

X-ON Electronics

Largest Supplier of Electrical and Electronic Components

Click to view similar products for [High Speed Optocouplers](#) category:

Click to view products by [Everlight](#) manufacturer:

Other Similar products are found below :

[JAN4N24](#) [TLP2962F\(F\)](#) [TLP2531\(TP1,F\)](#) [TLP2108\(F\)](#) [TLP2362\(TPRE](#) [PS9817A-1-F3-AX](#) [TLP5771H\(TP,E](#) [TLP2304\(E\(O](#) [TLP2719\(E\(O](#)
[TLP2768A\(E\(T](#) [FOD8163TR2V](#) [EL0601\(TA\)](#) [6N136S1\(TA\)](#) [TLP2704\(TP,E\(O](#) [HCPL2631SD](#) [HCPL-4661-500E](#) [TLP109\(E\(T](#)
[TLP116A\(E\(T](#) [TLP118\(TPL,E\)](#) [TLP2309\(E\(T](#) [TLP2361\(E\(T](#) [TLP2366\(E\(T](#) [TLP2366\(TPL,E](#) [TLP2368\(TPL,E\(T](#) [TLP521-2XGB](#) [TLP621-](#)
[2XGB](#) [JANTXV4N24U](#) [5962-8767902XA](#) [5962-8876801XA](#) [5962-8876901PA](#) [5962-8876901XA](#) [5962-8957101PA](#) [SFH6318T](#) [TIL198](#)
[TLP2309\(TPL,E\)](#) [TLP2355\(TPL,E](#) [TLP2358\(E\)](#) [TLP2391\(E\(T](#) [TLP521-4GR](#) [TLP521-4XGB](#) [TLP621XSM](#) [5962-8876801PA](#) [IS281-4GB](#)
[IS2805-4](#) [IS181GR](#) [ICPL2631](#) [ICPL2630](#) [ICPL2531](#) [ICPL2601](#) [ICPL2530](#)