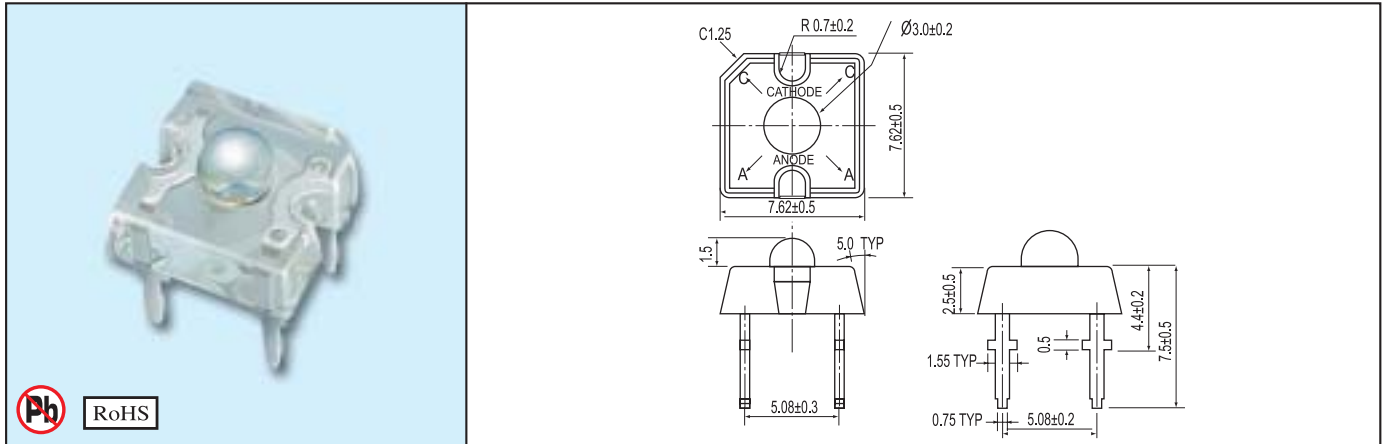


Part Number EL-xxxx	Chip			Lens Color	I _F (mA)	V _F (V)		Flux (mlm)		Viewing Angle 2θ 1/2
	Material	Emitted Color	λ _D (nm)			Typ.	Max.	Min.	Typ.	

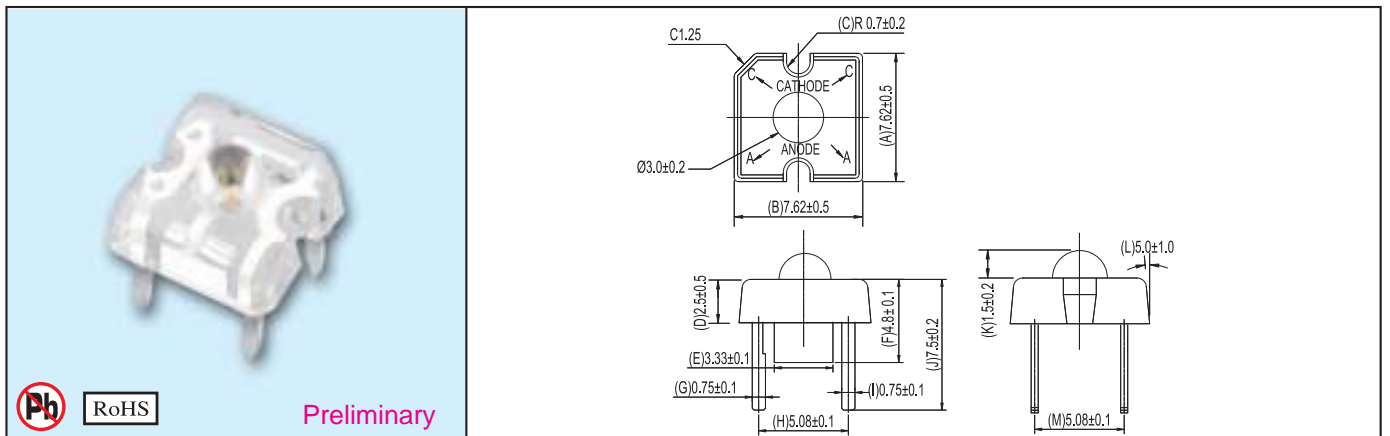
3mm Power LED

UNIT: mm



30-01SUBC/MB	InGaN	SuperBlue	470	Water Clear	3.5	4.0	20	400	630	50
30-01SUBC/S463	InGaN	SuperBlue	470		3.5	4.0	20	400	630	
30-01UBGC/MB	InGaN	Bluish Green	505		3.5	4.0	20	630	1000	
30-01UBGC/S463	InGaN	Bluish Green	505		3.5	4.0	20	630	1000	
30-01SUGC/MB	InGaN	SuperGreen	525		3.5	4.0	20	1000	1600	
30-01SUGC/S463	InGaN	SuperGreen	525		3.5	4.0	20	1000	1600	
30-01UYC	AlGaInP	Super Yellow	589		2.4	3.0	70	990	1440	70
30-01UYC/S1029	AlGaInP	Super Yellow	589		2.6	3.2	70	2500	3500	90
30-01/Y2C-AQSC	AlGaInP	Super Yellow	589		2.6	3.2	70	4000	5600	70
30-01USOC	AlGaInP	Super Sunset Orange	615		2.4	3.0	70	990	1440	
30-01/A2C-AQSC	AlGaInP	Super Sunset Orange	615		2.6	3.2	70	4000	5600	
30-01SURC	AlGaInP	Hyper Red	624		2.4	3.2	70	990	1440	
30-01/R2C-AQSC	AlGaInP	Hyper Red	624		2.6	3.2	70	3500	5000	90
30-01SURC/S1029	AlGaInP	Hyper Red	631		2.6	3.2	70	3000	4000	
30-01UWC/MB	InGaN	White	-		3.5	4.0	20	500	800	
30-01UWC/S463	InGaN	White	-		3.3	4.0	20	630	1000	

3mm Power LED (150mA Driving Current)



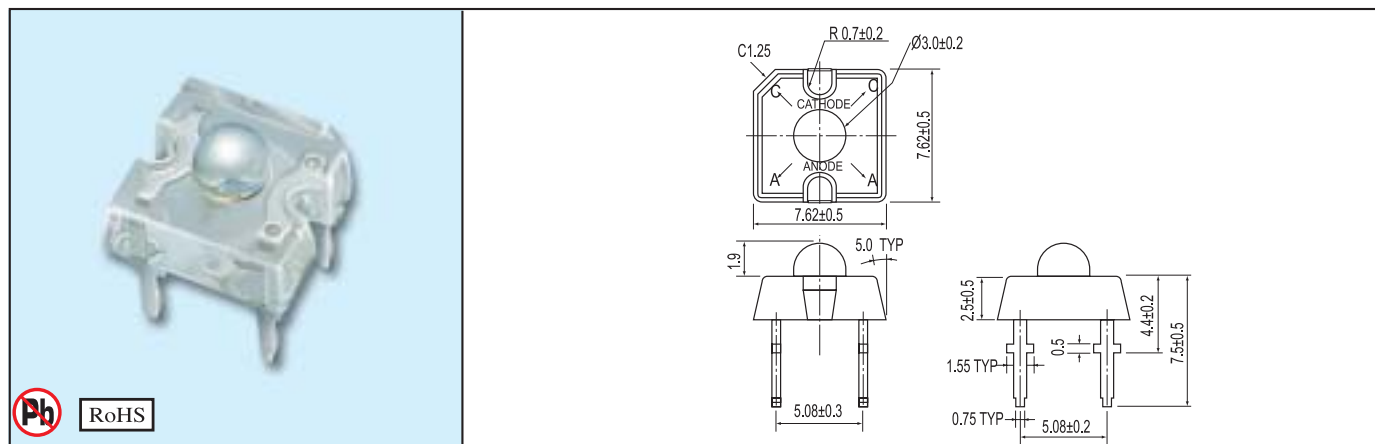
Preliminary

30-02UYC/S599	AlGaInP	Super Yellow	589	Water Clear	150	2.4	2.75	9000	10000	50
30-02UYC/S598	AlGaInP	Super Yellow	589		150	3	3.2	3000	4000	60

Part Number EL-xxxx	Chip			Lens Color	I _F (mA)	V _F (V)		Flux (lm)		Viewing Angle 2θ 1/2
	Material	Emitted Color	λ _D (nm)			Typ.	Max.	Min.	Typ.	

3mm Power LED

UNIT: mm

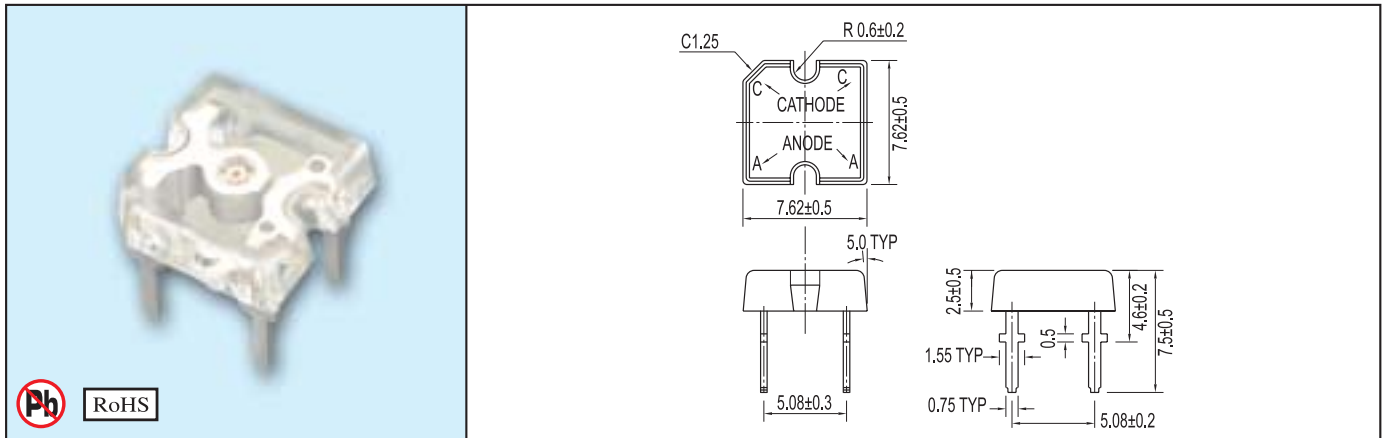


31-01SUBC/MB	InGaN	SuperBlue	470	Water Clear	20	3.5	4.3	400	630	40
31-01SUBC/S463	InGaN	SuperBlue	470		20	3.5	4.0	400	630	
31-01UBGC/MB	InGaN	Bluish Green	505		20	3.5	4.0	630	1000	
31-01UBGC/S463	InGaN	Bluish Green	505		20	3.5	4.0	630	1000	
31-01SUGC/MB	InGaN	SuperGreen	525		20	3.5	4.0	1000	1600	
31-01SUGC/S463	InGaN	SuperGreen	525		20	3.5	4.0	1000	1600	
31-01UYC	AlGaInP	Super Yellow	589		70	2.4	3.0	990	1440	50
31-01UYC/S1029	AlGaInP	Super Yellow	589		70	2.6	3.2	2500	3500	60
31-01/Y2C-AQSC	AlGaInP	Super Yellow	589		70	2.6	3.2	4000	5600	50
31-01USOC	AlGaInP	Super Sunset Orange	615		70	2.4	3.0	990	1440	
31-01/A2C-AQSC	AlGaInP	Super Sunset Orange	615		70	2.6	3.2	4000	5600	
31-01SURC	AlGaInP	Hyper Red	624		70	2.4	3.0	990	1440	
31-01/R2C-AQSC	AlGaInP	Hyper Red	624		70	2.6	3.2	3500	5000	60
31-01SURC/S1029	AlGaInP	Hyper Red	631		70	2.6	3.2	3000	4000	
31-01UWC/MB	InGaN	White	-		20	3.5	4.3	500	800	
31-01UWC/S463	InGaN	White	-		20	3.5	4.0	630	1000	

Part Number EL-xxxx	Chip			Lens Color	If (mA)	VF (V)		Flux (lm)		Viewing Angle 2θ 1/2
	Material	Emitted Color	λD (nm)			Typ.	Max.	Min.	Typ.	

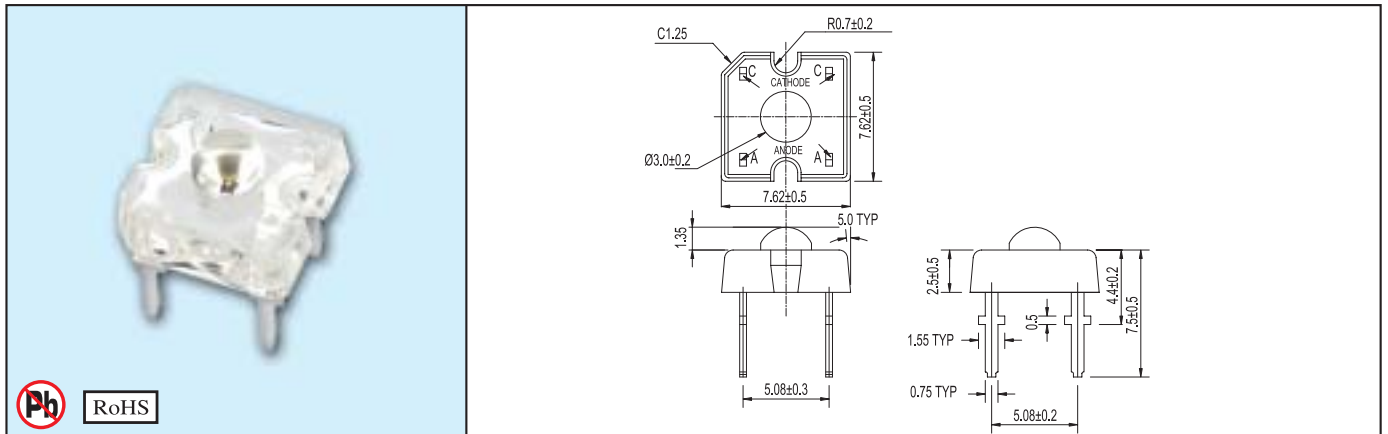
Flat Power LED

UNIT: mm/inch



32-01SUBC/MB	InGaN	SuperBlue	470	Water Clear	20	3.5	4.3	240	360	120
32-01SUBC/S463	InGaN	SuperBlue	470		20	3.5	4.0	240	360	130
32-01UBGC/MB	InGaN	Bluish Green	505		20	3.5	4.3	360	600	120
32-01UBGC/S463	InGaN	Bluish Green	505		20	3.5	4.0	360	600	130
32-01SUGC/MB	InGaN	SuperGreen	525		20	3.5	4.3	600	960	120
32-01SUGC/S463	InGaN	SuperGreen	525		20	3.5	4.0	600	960	130
32-01UYC	AlGaInP	Super Yellow	589		70	2.4	3.0	600	860	120
32-01UYC/S1029	AlGaInP	Super Yellow	589		70	2.6	3.2	1500	2100	140
32-01/Y2C-AQSC	AlGaInP	Super Yellow	589		70	2.6	3.2	2400	3360	130
32-01USOC	AlGaInP	Super Sunset Orange	615		70	2.4	3.0	600	860	120
32-01/A2C-AQSC	AlGaInP	Super Sunset Orange	615		70	2.6	3.2	2400	3360	130
32-01SURC	AlGaInP	Hyper Red	624		70	2.4	3.0	600	860	120
32-01/R2C-AQSC	AlGaInP	Hyper Red	624		70	2.6	3.2	2100	3000	130
32-01SURC/S1029	AlGaInP	Hyper Red	631		70	2.6	3.2	1800	2400	140
32-01UWC/MB	InGaN	White	-		20	3.5	4.3	300	480	130
32-01UWC/S463	InGaN	White	-		20	3.5	4.0	360	600	130



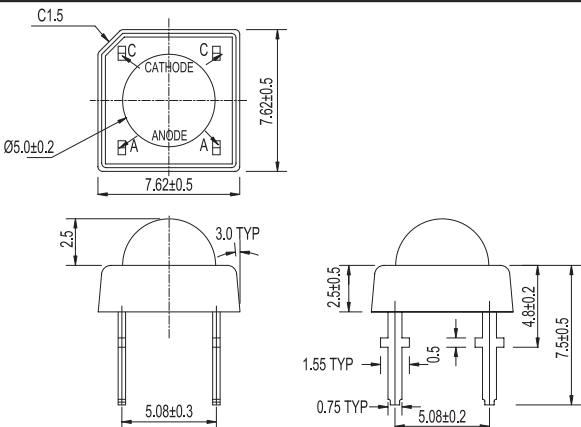
3mm Power LED





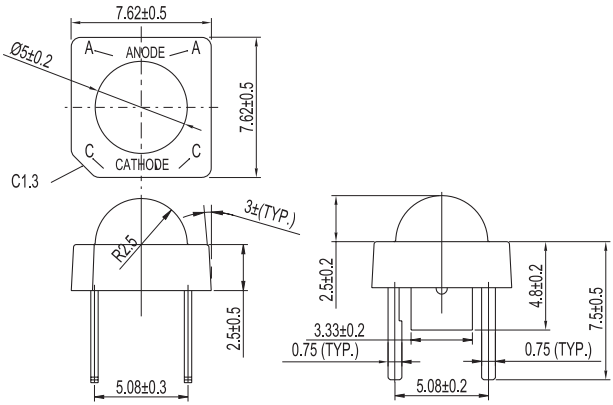
33-01UYOC	AlGaInP	Super Yellow Orange	605	Water Clear	70	2.4	2.6	3000	3800	90
-----------	---------	---------------------	-----	-------------	----	-----	-----	------	------	----

Part Number EL-xxxx	Chip			Lens Color	I _F (mA)	V _F (V)		Flux (lm)		Viewing Angle 2θ 1/2
	Material	Emitted Color	λ _D (nm)			Typ.	Max.	Min.	Typ.	



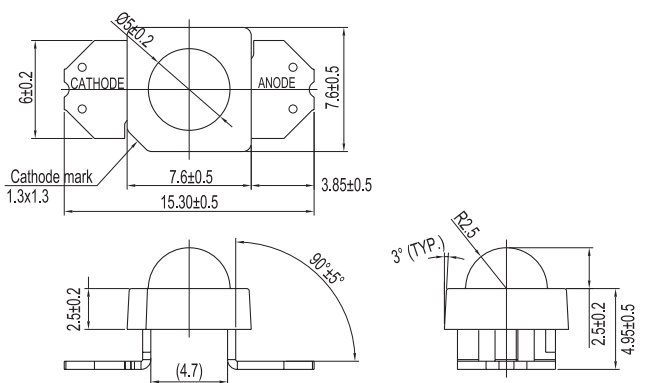
5mm Power LED

  RoHS										
	34-01UYC/S400-A7	AlGaInP	Super Yellow	589	Water Clear	70	2.03	3.2	1000	1850
34-01/Y2C-AQSC	AlGaInP	Super Yellow	589	70		2.03	2.75	2500	4000	75

5mm Power LED (150mA Driving Current)


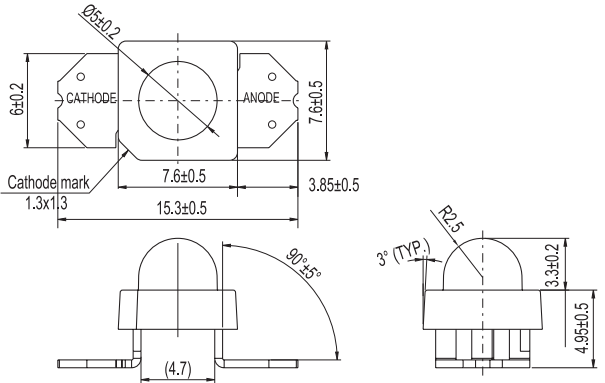
  RoHS										
	34-02UYC/S598	AlGaInP	Super Yellow	589	Water Clear	150	3	3.2	3000	4000
34-02UYC/S599	AlGaInP	Super Yellow	589	150		2.4	2.75	9000	10000	70

Solderless 5mm Power LED


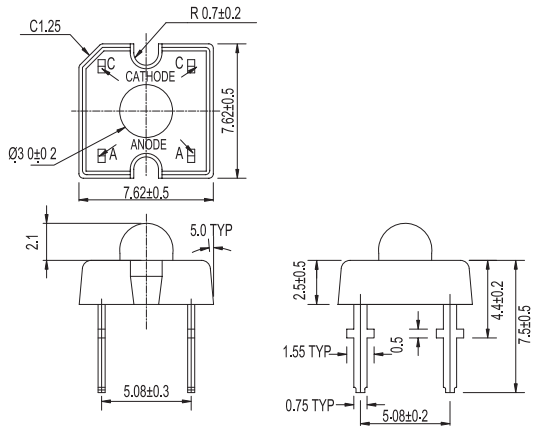
  RoHS										
	34-03UYC/S598	AlGaInP	Super Yellow	589	Water Clear	150	3	3.2	2000	2700
34-03UYC/S599	AlGaInP	Super Yellow	589	150		2.45	2.75	9000	10000	85
34-03USOC/S598	AlGaInP	Super Sunset Orange	615	150		3	3.2	6000	7000	
34-03SURC/S599	AlGaInP	Hyper Red	624	150		2.45	2.75	7000	8000	85

Part Number EL-xxxx	Chip			Lens Color	I _F (mA)	V _F (V)		Flux (lm)		Viewing Angle 2θ 1/2
	Material	Emitted Color	λ _D (nm)			Typ.	Max.	Min.	Typ.	

Solderless 5mm Power LED

 <p>Pb RoHS Preliminary</p>											
	35-03UYC/S599	AlGaInP	Super Yellow	589	Water Clear	150	2.45	2.75	9000	10000	30
	35-03UYC/S598	AlGaInP	Super Yellow	589		150	3	3.2	3000	4000	
	35-03USOC/S598	AlGaInP	Super Sunset Orange	615		150	3	3.2	6000	7000	
	35-03SURC/S599	AlGaInP	Hyper Red	624		150	2.45	2.75	7000	8000	

3mm Power LED

 <p>Pb RoHS</p>											
	36-01/Y2C-AQSC	AlGaInP	Super Yellow	589	Water Clear	70	2.6	3.2	4000	5600	20
	36-01/R2C-AQSC	AlGaInP	Hyper Red	624		70	2.6	3.2	3000	4000	20

X-ON Electronics

Largest Supplier of Electrical and Electronic Components

Click to view similar products for [Standard LEDs - Through Hole category:](#)

Click to view products by [Everlight manufacturer:](#)

Other Similar products are found below :

[LTL-10254W](#) [LTL-1214A](#) [LTL-2231AT](#) [LTL-3251A](#) [LTL-4262N](#) [LTL-433P](#) [LTL-5234](#) [LTL87HTBK](#) [LTX-87HD4B](#) [HLMP-EL30-PS0DD](#) [1L0532V23G0TD001](#) [NSPW500CS](#) [LD CQDP-1U3U-W5-1-K](#) [LP379PPG1C0G0300001](#) [SLR-342MC3F](#) [SLX-LX3044GD](#) [SLX-LX3044ID](#) [SLX-LX3044YD](#) [1.90690.3330000](#) [SSS-LX4673ID-410B](#) [1L0532Y24I0TD001](#) [264-7SYGD/S530-E2](#) [HLMP-1301-G00FG](#) [HLMP1385](#) [LTL-10224W](#) [LTL-1224A](#) [LTL-1234A](#) [LTL-2251AT](#) [LTL-403HR](#) [LTL-4222](#) [LU7-E-B](#) [4380H1](#) [HLMP-3962-F0002](#) [HLMP-GG15-R0000](#) [323-2SURD/S530-A3](#) [L53SRC/E-Z](#) [L-7679C1ZGC](#) [4302T1-5V](#) [4306D23](#) [4363D1/5](#) [WP1503SRC/J4](#) [WP153YDT](#) [WP1543SGC](#) [WP1543SURC](#) [WP53MGD](#) [WP7113HD](#) [WP7113MBD](#) [WP7113MGC](#) [WP7143SEC/H](#) [Z-221A](#)