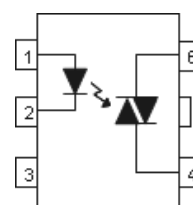


### 5 PIN DIP RANDOM-PHASE TRIAC DRIVER PHOTOCOUPLER EL301X(P5), EL302X(P5), EL305X(P5) Series



Schematic



#### Features:

- Peak breakdown voltage
  - 250V: EL301X(P5)
  - 400V: EL302X(P5)
  - 600V: EL305X(P5)
- High isolation voltage between input and output (Viso=5000 V rms )
- Compact dual-in-line package
- Compliance with EU REACH
- The product itself will remain within RoHS compliant version
- UL and cUL approved(No. E214129)
- VDE approved (No.132249)
- SEMKO approved
- NEMKO approved
- DEMKO approved
- FIMKO approved
- CQC approved

#### Pin Configuration

1. Anode
2. Cathode
3. No Connection
4. Terminal
5. Pin Cut
6. Terminal

#### Description

The EL301X(P5), EL302X(P5) and EL305X(P5) series of devices each consist of a GaAs infrared emitting diode optically coupled to a monolithic silicon random phase photo Triac.

They are designed for interfacing between electronic controls and power triacs to control resistive and inductive loads for 115 to 240 VAC operations

#### Applications

- Solenoid/valve controls
- Lamp ballasts, Incandescent lamp dimmers
- Static AC power switch
- Interfacing microprocessors to 115 to 240Vac peripherals
- Temperature controls
- Motor controls

**Absolute Maximum Ratings (Ta=25°C)**

Parameter		Symbol	Rating	Unit	
Input	Forward current	$I_F$	60	mA	
	Reverse voltage	$V_R$	6	V	
	Power Dissipation	$P_D$	100	mW	
	No derating required up to $T_a = 85^\circ\text{C}$		3.8	mW / $^\circ\text{C}$	
Output	EL301X	$V_{DRM}$	250	V	
	Off-state Output Terminal Voltage		EL302X		400
	EL305X		600		
	Peak Repetitive Surge Current	$I_{TSM}$	1	A	
	Power dissipation	$P_C$	300	mW	
	Derating factor (above $T_a = 85^\circ\text{C}$ )		7.4	mW/ $^\circ\text{C}$	
Total power dissipation		$P_{TOT}$	330	mW	
Isolation voltage <sup>*1</sup>		$V_{ISO}$	5000	Vrms	
Operating temperature		$T_{OPR}$	-55 to 100	$^\circ\text{C}$	
Storage temperature		$T_{STG}$	-55 to 125	$^\circ\text{C}$	
Soldering Temperature <sup>*2</sup>		$T_{SOL}$	260	$^\circ\text{C}$	

Notes:

\*1 AC for 1 minute, R.H.= 40 ~ 60% R.H. In this test, pins 1, 2 & 3 are shorted together, and pins 4, 6 are shorted together.

\*2 For 10 seconds

**Electro-Optical Characteristics (Ta=25°C unless specified otherwise)**

**Input**

Parameter	Symbol	Min.	Typ.*1	Max.	Unit	Condition
Forward Voltage	V <sub>F</sub>	-	1.18	1.5	V	I <sub>F</sub> = 10mA
Reverse Leakage current	I <sub>R</sub>	-	-	10	μA	V <sub>R</sub> = 6V

**Output**

Parameter	Symbol	Min.	Typ.*1	Max.	Unit	Condition
Peak Blocking Current	I <sub>DRM</sub>	-	-	100	nA	V <sub>DRM</sub> = Rated V <sub>DRM</sub> I <sub>F</sub> = 0mA*2
Peak On-state Voltage	V <sub>TM</sub>	-	-	2.5	V	I <sub>TM</sub> =100mA peak, I <sub>F</sub> =Rated I <sub>FT</sub>
Critical Rate of Rise off-state Voltage	EL301X EL302X EL305X dv/dt	- 1000	100 -	- -	V/μs	V <sub>PEAK</sub> =Rated V <sub>DRM</sub> , I <sub>F</sub> =0 (Fig. 8)*3 V <sub>PEAK</sub> =400V, I <sub>F</sub> =0 (Fig. 8)

\* Notes:

\*1. Typical values at T<sub>a</sub> = 25°C

\*2. Test voltage must be applied within dv/dt rating.

\*3. This is static dv/dt. See Figure 8 for test circuit. Commutating dv/dt is a function of the load-driving thyristor(s) only.

**Transfer Characteristics**

Parameter	Symbol	Min.	Typ.*1	Max.	Unit	Condition	
LED Trigger Current	EL3010 EL3021 EL3051	-	-	15	mA	Main terminal Voltage=3V*4	
	EL3011 EL3022 EL3052	-	-	10			
	EL3012 EL3023 EL3053	-	-	5			
Holding Current	$I_H$	-	250	-	$\mu A$		

Notes:

- \*4. All devices are guaranteed to trigger at an  $I_F$  value less than or equal to max  $I_{FT}$ . Therefore, recommended operating  $I_F$  lies between max  $I_{FT}$  (15 mA for EL3010/EL3021/EL3051, 10 mA for EL3011/EL3022/EL3052, 5 mA for EL3012/EL3023/EL3053) and absolute maximum  $I_F$  (60 mA).



Typical Electro-Optical Characteristics Curves

Figure 1. Forward Current vs Forward Voltage

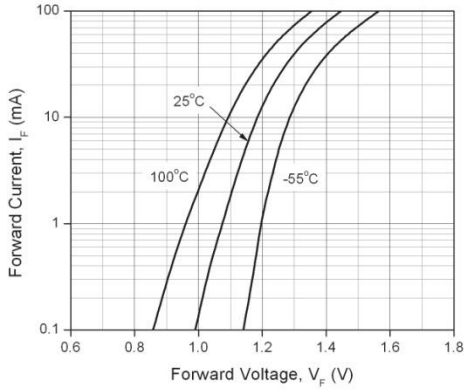


Figure 2. On-State Characteristics

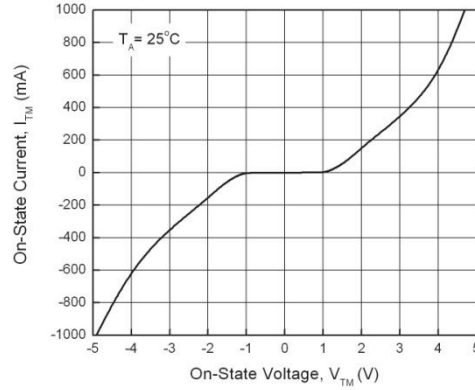


Figure 3. Holding Current vs. Ambient Temperature

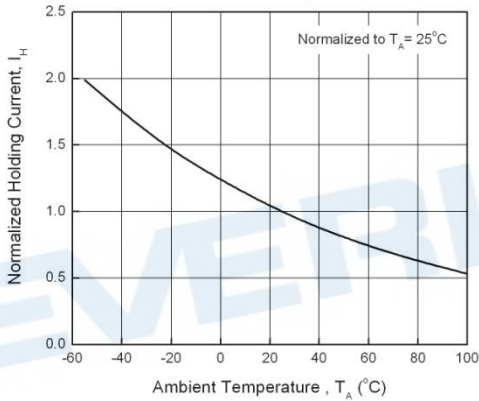


Figure 4. LED Current Required to Trigger vs. LED Pulse Width

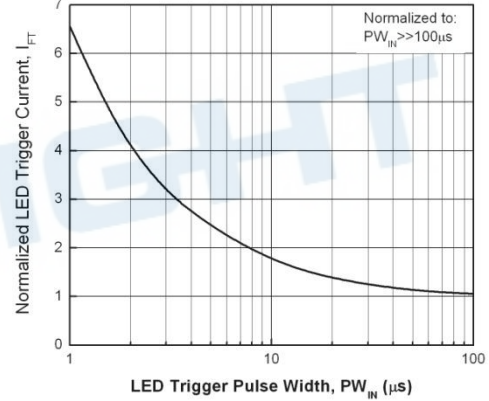


Figure 5. Leakage Current vs. Ambient Temperature

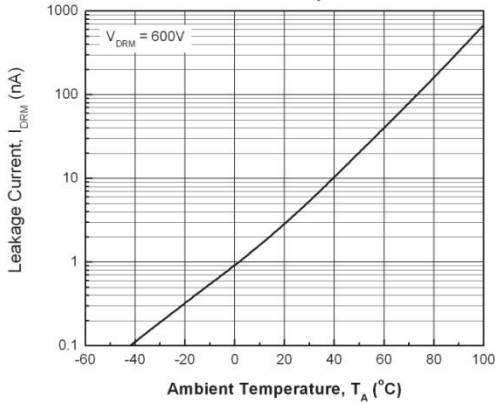


Figure 6. LED Trigger Current vs. Ambient Temperature

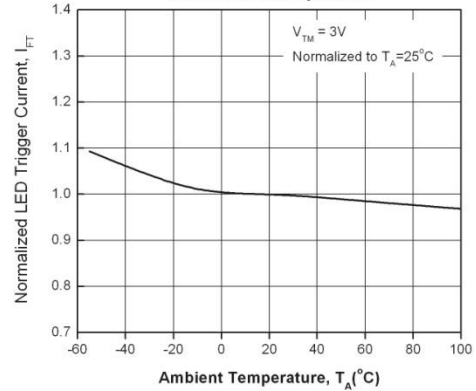
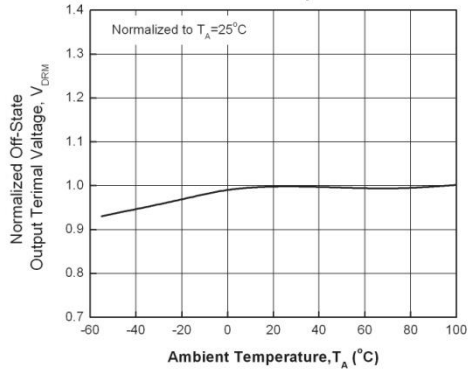
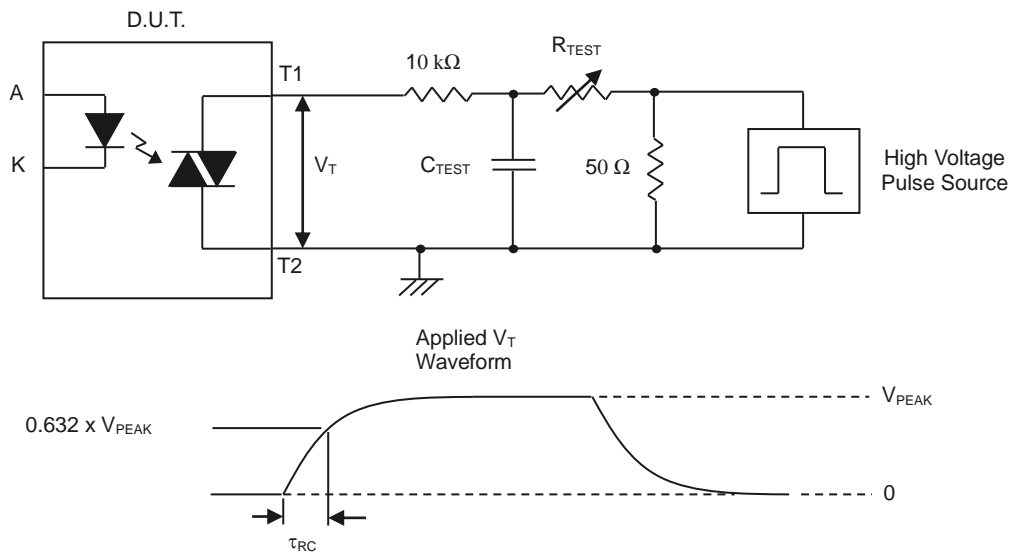


Figure 7. Off-State Output Terminal Voltage vs. Ambient Temperature



EVERLIGHT

Figure 8. Static dv/dt Test Circuit & Waveform



### Measurement Method

The high voltage pulse is set to the required  $V_{PEAK}$  value and applied to the D.U.T. output side through the RC circuit above. LED current is not applied. The waveform  $V_T$  is monitored using a x100 scope probe. By varying  $R_{TEST}$ , the dv/dt (slope) is increased, until the D.U.T. is observed to trigger (waveform collapses). The dv/dt is then decreased until the D.U.T. stops triggering. At this point,  $\tau_{RC}$  is recorded and the dv/dt calculated.

$$dv/dt = \frac{0.632 \times V_{PEAK}}{\tau_{RC}}$$

For example,  $V_{PEAK} = 400V$  for EL302X series. The dv/dt value is calculated as follows:

$$dv/dt = \frac{0.632 \times 400}{\tau_{RC}} = \frac{252.8}{\tau_{RC}}$$

## Order Information

### Part Number

**EL301XY(Z)(P5)-V**  
or **EL302XY(Z)(P5)-V**  
or **EL305XY(Z)(P5)-V**

### Notes

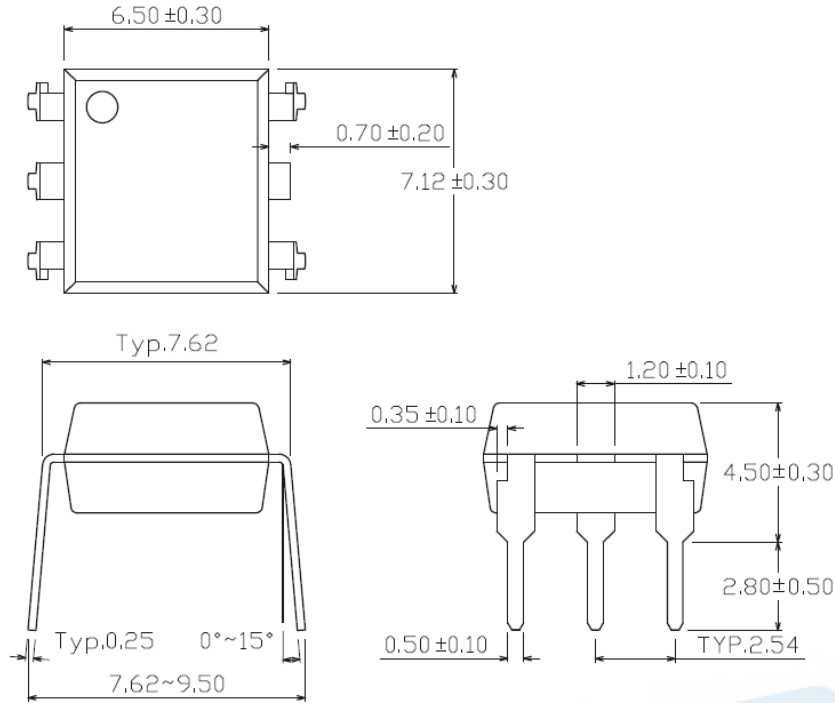
X = Part No. for EL301x (0, 1 or 2)  
X = Part No. for EL302x, EL305x (1, 2 or 3)  
Y = Lead form option (S, S1, M or none)  
Z = Tape and reel option (TA, TB or none)  
P5 = 5 pins type  
V = VDE safety approved (optional)

Option	Description	Packing quantity
None	Standard DIP-6	65 units per tube
M	Wide lead bend (0.4 inch spacing)	65 units per tube
S (TA)	Surface mount lead form + TA tape & reel option	1000 units per reel
S (TB)	Surface mount lead form + TB tape & reel option	1000 units per reel
S1 (TA)	Surface mount lead form (low profile) + TA tape & reel option	1000 units per reel
S1 (TB)	Surface mount lead form (low profile) + TB tape & reel option	1000 units per reel

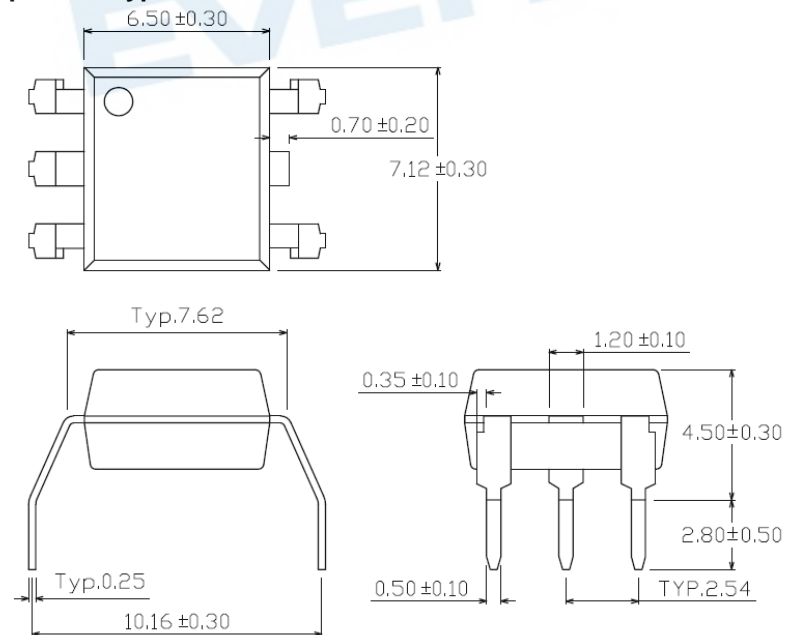


Package Dimension (Dimensions in mm)

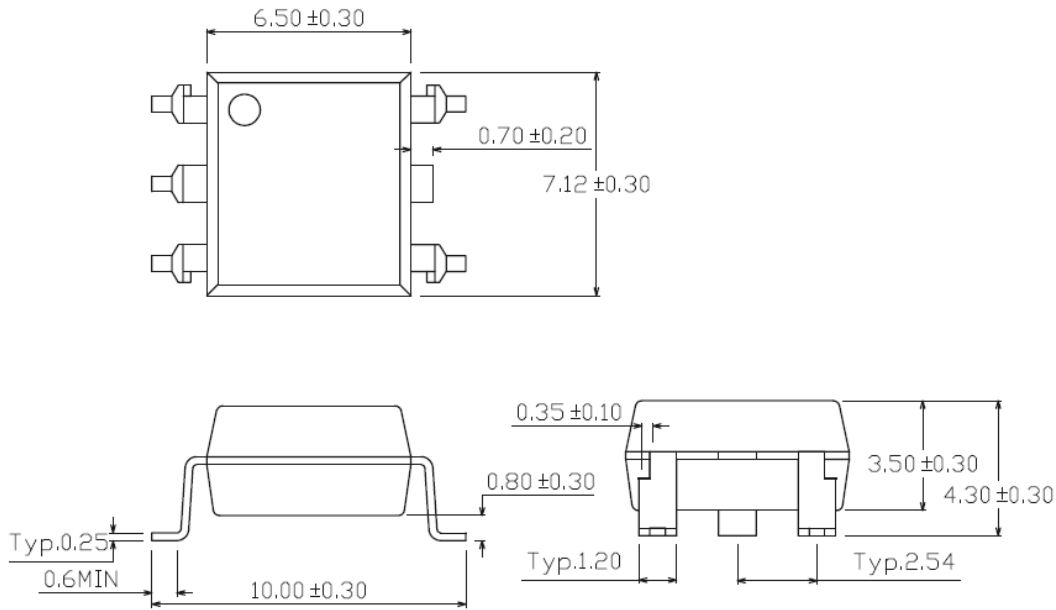
Standard DIP Type



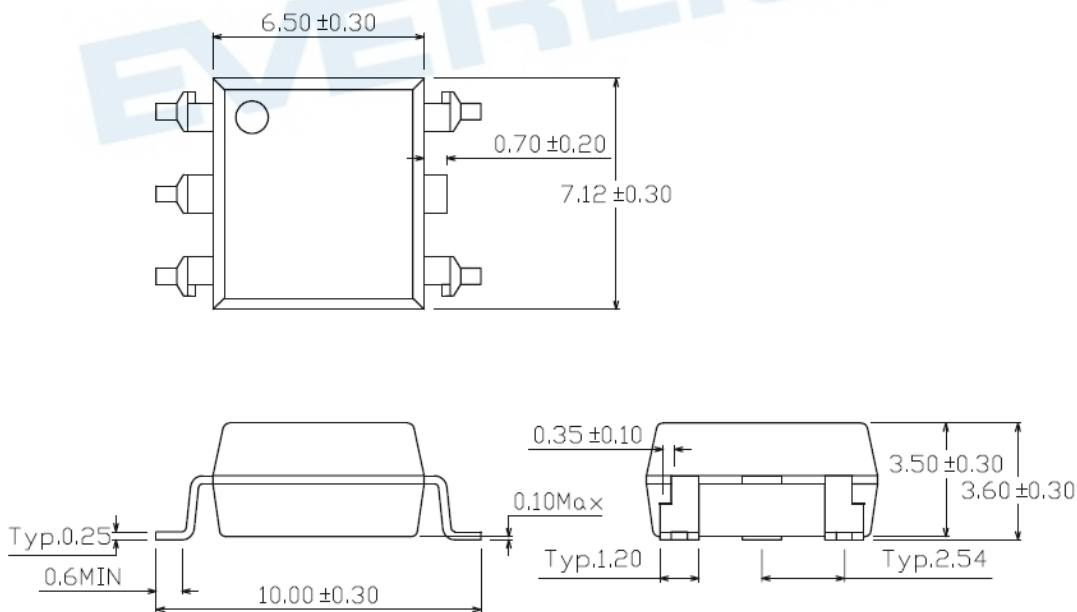
Option M Type



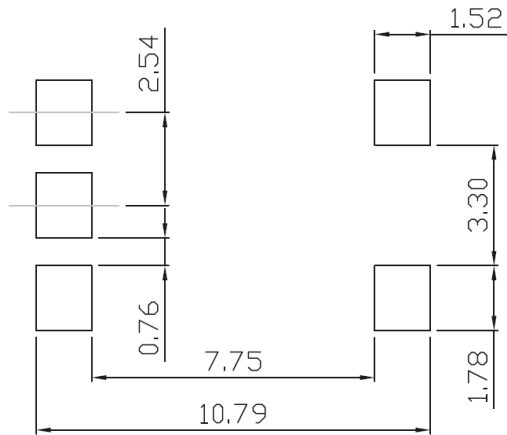
Option S Type



Option S1 Type



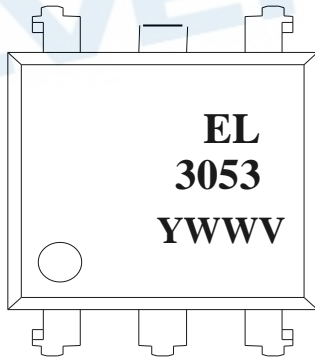
### Recommended pad layout for surface mount leadform



#### Notes

Suggested pad dimension is just for reference only.  
Please modify the pad dimension based on individual need.

### Device Marking

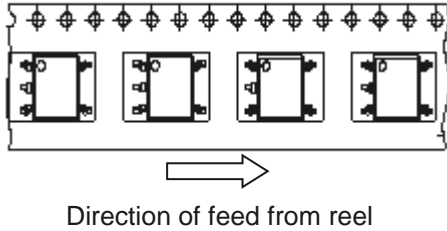


#### Notes

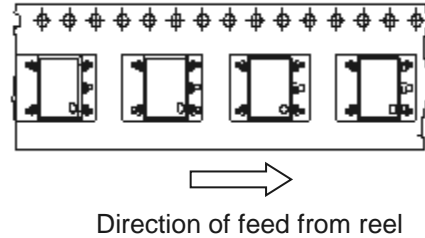
EL denotes EVERLIGHT  
3053 denotes Device Number  
Y denotes 1 digit Year code  
WW denotes 2 digit Week code  
V denotes VDE (optional)

**Tape & Reel Packing Specifications**

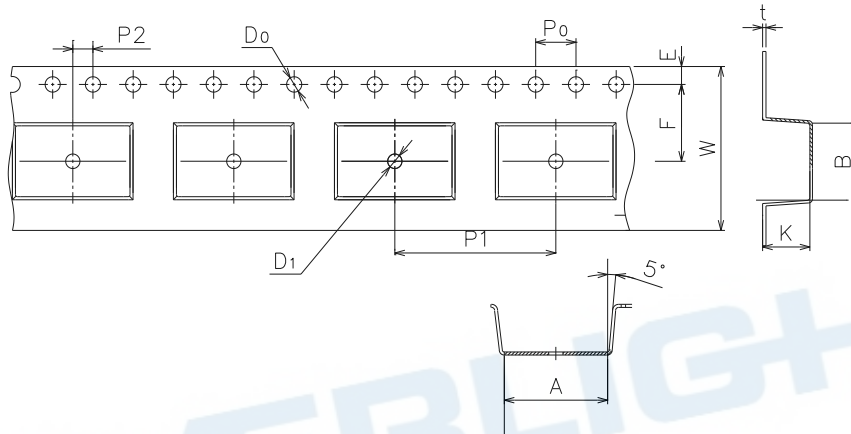
**Option TA**



**Option TB**



**Tape dimensions**



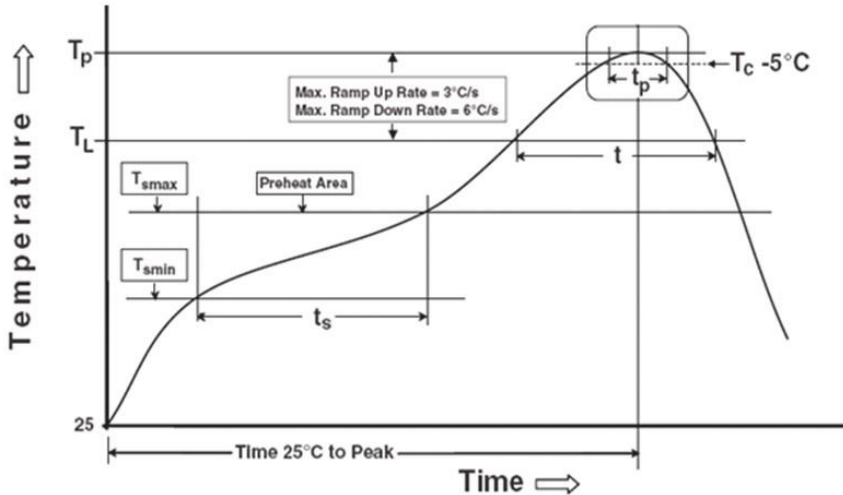
Dimension No.	A	B	Do	D1	E	F
Dimension (mm)	10.8±0.1	7.5±0.1	1.5±0.1	1.5±0.1	1.75±0.1	7.5±0.1

Dimension No.	Po	P1	P2	t	W	K
Dimension (mm)	4.0±0.15	12±0.1	2.0±0.1	0.35±0.03	16.0±0.2	4.5±0.1

## Precautions for Use

### 1. Soldering Condition

#### 1.1 (A) Maximum Body Case Temperature Profile for evaluation of Reflow Profile



Notes

Reference: IPC/JEDEC J-STD-020D

#### Preheat

Temperature min ( $T_{smin}$ )	150 °C
Temperature max ( $T_{smax}$ )	200°C
Time ( $T_{smin}$ to $T_{smax}$ ) ( $t_s$ )	60-120 seconds
Average ramp-up rate ( $T_{smax}$ to $T_p$ )	3 °C/second max

#### Other

Liquidus Temperature ( $T_L$ )	217 °C
Time above Liquidus Temperature ( $t_L$ )	60-100 sec
Peak Temperature ( $T_P$ )	260°C
Time within 5 °C of Actual Peak Temperature: $T_P - 5^\circ\text{C}$	30 s
Ramp- Down Rate from Peak Temperature	6°C /second max.
Time 25°C to peak temperature	8 minutes max.
Reflow times	3 times

## DISCLAIMER

1. Above specification may be changed without notice. EVERLIGHT will reserve authority on material change for above specification.
2. The graphs shown in this datasheet are representing typical data only and do not show guaranteed values.
3. When using this product, please observe the absolute maximum ratings and the instructions for use outlined in these specification sheets. EVERLIGHT assumes no responsibility for any damage resulting from use of the product which does not comply with the absolute maximum ratings and the instructions included in these specification sheets.
4. These specification sheets include materials protected under copyright of EVERLIGHT. Reproduction in any form is prohibited without the specific consent of EVERLIGHT.
5. This product is not intended to be used for military, aircraft, automotive, medical, life sustaining or life saving applications or any other application which can result in human injury or death. Please contact authorized Everlight sales agent for special application request.
6. Statements regarding the suitability of products for certain types of applications are based on Everlight's knowledge of typical requirements that are often placed on Everlight products in generic applications. Such statements are not binding statements about the suitability of products for a particular application. It is the customer's responsibility to validate that a particular product with the properties described in the product specification is suitable for use in a particular application. Parameters provided in datasheets and/or specifications may vary in different applications and performance may vary over time. All operating parameters, including typical parameters, must be validated for each customer application by the customer's technical experts. Product specifications do not expand or otherwise modify Everlight's terms and conditions of purchase, including but not limited to the warranty expressed therein.

## X-ON Electronics

Largest Supplier of Electrical and Electronic Components

*Click to view similar products for [Triac & SCR Output Optocouplers](#) category:*

*Click to view products by [Everlight](#) manufacturer:*

Other Similar products are found below :

[IL4218-X019](#) [MOC3063S-TA](#) [IL410-X019T](#) [ILD207-X001T](#) [ILD615-1X007T](#) [WPPCT-N1066A](#) [WPPCT-N1566A](#) [WPPCT-Z546D](#)  
[TLP3052](#) [VO2223A-X007T](#) [WPPCT-Z546A](#) [WPPCT-Z1046D](#) [WPPCT-Z1046A](#) [WPPCT-N566D](#) [WPPCT-N566A](#) [WPPCT-N1566D](#)  
[FODM3053V\\_NF098](#) [VO4258D](#) [VO4256D](#) [VO4158H-X017T](#) [IL4116-X009T](#) [MOC3071SM](#) [IL410-X017](#) [IL4116-X007](#) [VO0601-X001T](#)  
[MOC3073SR2M](#) [LTV-3053](#) [EL3021S1\(TA\)](#) [ELR2223](#) [ELM3053\(TA\)](#) [ELM3052\(TA\)](#) [EL3083S1\(TA\)-V](#) [EL3052S1\(TA\)\(P5\)-V](#)  
[LTV816STP-D3-TXCU](#) [TLP265J\(TPL,E\)](#) [TLP265J\(TPR,E\(T](#) [MOC3063SM](#) [MOC3061M](#) [MOC3043SM](#) [MOC3052STA1-V](#) [EL3061S\(TA\)](#)  
[MOC3023D](#) [MOC3022D](#) [MOC3061D](#) [MOC3021D](#) [MOC3051D](#) [MOC3083D](#) [MOC3042D](#) [MOC3082D](#) [MOC3020D](#)