



EVERLIGHT ELECTRONICS CO.,LTD.

MODEL NO: 67-21UYOC/S530-A2/TR8

Device Number : DSE-671-087 REV. 1.0

TOP LEDs

ECN : _____ Page: 1/7

Features :

- P-LCC-2package.
- White package.
- Optical indicator.
- Colorless clear window.
- Ideal for backlight and light pipe application.
- Inter reflector.
- Low (2mA) current operation.
- Wide viewing angle.
- Computable with automatic placement equipment.
- Suitable for vapor-phase reflow, Infrared reflow and wave solder processes.
- Available on tape and reel (8mm Tape).

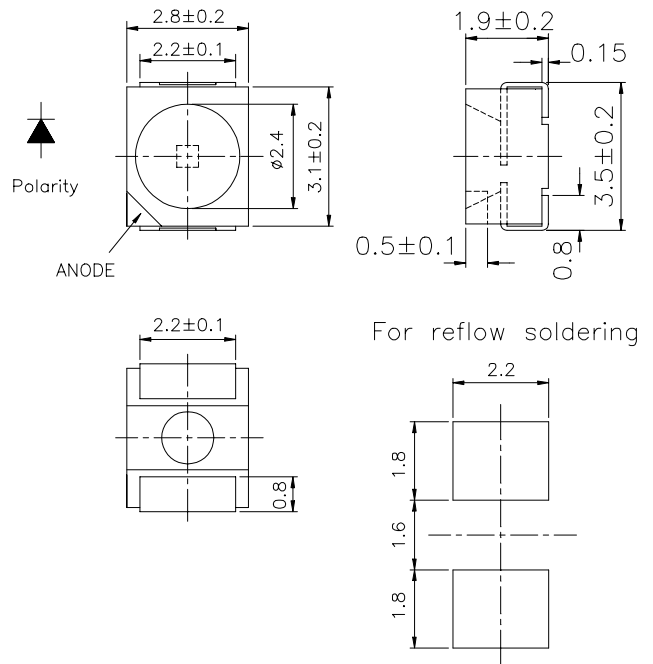
Description :

- The 67-21 series is available in soft-orange, green, blue and yellow, Due to the package design, the LED has wide viewing angle and optimized light coupling by inter reflector, this feature makes the SMT TOP LED ideal for light pipe application, The low current requirement makes this device ideal for portable equipment or any other application where power is at a premium.

Applications :

- Automotive: backlight in dashboards and switches
- Telecommunication: indicator and backlight in telephone and fax.
- Indicator and backlight for audio and video equipment.
- Indicator and backlight in office and family equipment.
- Flat backlight for LCD's, switches and symbols.
- Light pipe application.
- General use.

Package Dimensions :



Notes:

Tolerances Unless Dimension ± 0.1 mm
 Angle $\pm 0.5^\circ$
 Unit = mm

| PART NO | CHIP | | Lens Color |
|-----------------------|----------|------------------------|-------------|
| | Material | Emitted Color | |
| 67-21UYOC/S530-A2/TR8 | AlGaInP | Super Yellow Orange | Water Clear |

Office: NO. 25, Lane 76, Sec.3, Chung Yang Rd., Tucheng 236, Taipei, Taiwan, R.O.C.

TEL: 886-2-2267-2000, 2267-9936

FAX: 886-2-2267-6244, 2267-6189, 2267-6306

<http://www.everlight.com>



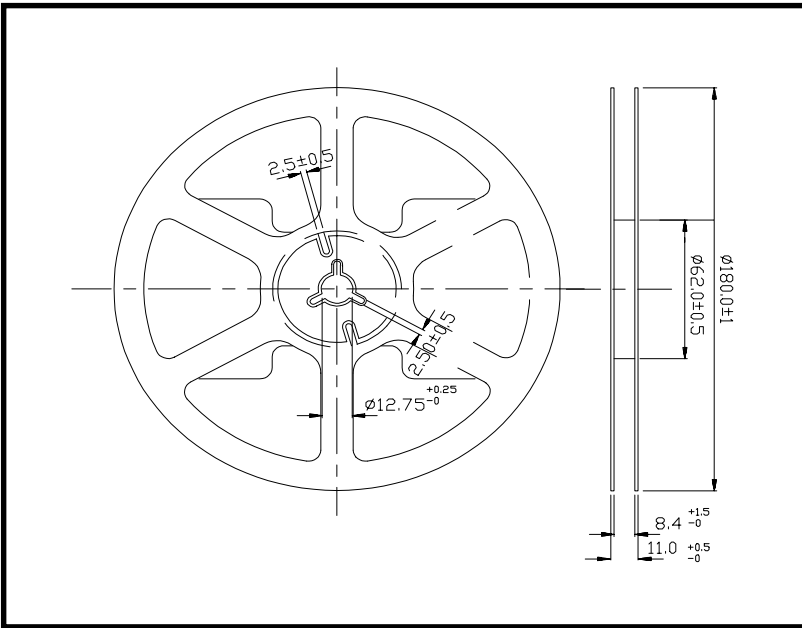
EVERLIGHT ELECTRONICS CO.,LTD.

MODEL NO: 67-21UYOC/S530-A2/TR8

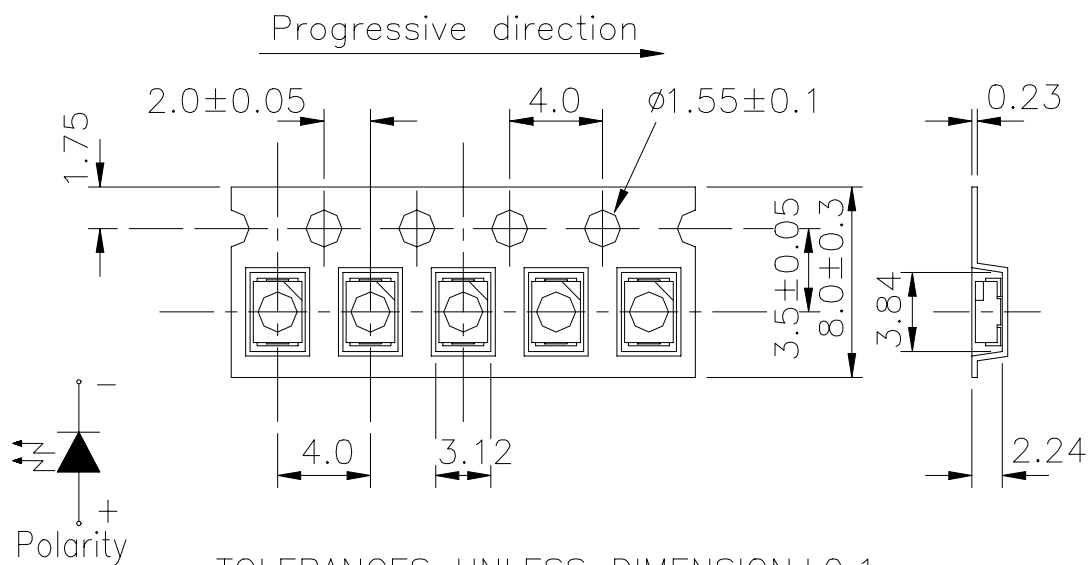
Device Number : DSE-671-087 REV. 1.0

TOP LEDs

ECN : _____ Page: 2/7



Loaded quantity per reel 2000 PCS/reel :



TOLERANCES UNLESS DIMENSION ± 0.1
ANGLE ± 0.5
UNIT:mm



MODEL NO: 67-21UYOC/S530-A2/TR8

Device Number : DSE-671-087 REV. 1.0

TOP LEDs

ECN : _____ Page: 3/7

■ Absolute Maximum Ratings at Ta = 25°C

| Parameter | Symbol | Rating | Unit |
|--|----------|-------------------|------|
| Reverse Voltage | Vr | 5 | V |
| Forward Current | If | 25 | mA |
| Operating Temperature | Topr | -40 ~ +85 | °C |
| Storage Temperature | Tstg | -40 ~ +90 | °C |
| Soldering Temperature | Tsol | 260(for 5 second) | °C |
| Electrostatic Discharge | ESD | 2000 | V |
| Power Dissipation | Pd | 60 | mW |
| Peak Forward Current(Duty 1/10 @ 1KHZ) | If(Peak) | 160 | mA |

■ Electronic Optical Characteristics :

| Parameter | Symbol | Min. | Typ. | Max. | Unit | Condition |
|------------------------------|--------|-------|-------|-------|------|-----------|
| Luminous intensity | Iv | ----- | 4 | ----- | mcd | If=2mA |
| | | 25 | 67 | ----- | mcd | If=20mA |
| Viewing Angle | 2θ 1/2 | ----- | 120 | ----- | deg | If=20mA |
| Peak Wavelength | λ p | ----- | 611 | ----- | nm | If=20mA |
| Dominant Wavelength | λ d | ----- | 605 | ----- | nm | If=20mA |
| Spectrum Radiation Bandwidth | △ λ | ----- | 17 | ----- | nm | If=20mA |
| Forward Voltage | Vf | ----- | 2.0 | 2.4 | V | If=20mA |
| Reverse Current | Ir | ----- | ----- | 10 | μ A | Vr=5V |



MODEL NO: 67-21UYOC/S530-A2/TR8

Device Number : DSE-671-087 REV. 1.0

TOP LEDs

ECN : _____ Page: 4/7

■ Reliability Test Item And Condition :

| NO | Item | Test Conditions | Test Hours/Cycle | Sample Size | Ac/Re |
|----|-------------------------------------|---|------------------|-------------|-------|
| 1 | Solder Heat | TEMP : 260°C ± 5 °C | 5 SEC | 76 Pcs | 0/1 |
| 2 | Temperature Cycle | H : +85°C 30min ∫ 5 min L : -55°C 30min | 50 CYCLE | 76 Pcs | 0/1 |
| 3 | Thermal Shock | H : +100°C 5min ∫ 10 sec L : -10°C 5min | 50 CYCLE | 76 Pcs | 0/1 |
| 4 | High Temperature Storage | TEMP : 100°C | 1000 HRS | 76 Pcs | 0/1 |
| 5 | Low Temperature Storage | TEMP : -55°C | 1000 HRS | 76 Pcs | 0/1 |
| 6 | DC Operating Life | If = 20 mA | 1000 HRS | 76 Pcs | 0/1 |
| 7 | High Temperature / High Humidity | 85°C/85% RH | 1000 HRS | 76 Pcs | 0/1 |

Products are evaluated according to the above standard reliability criteria.



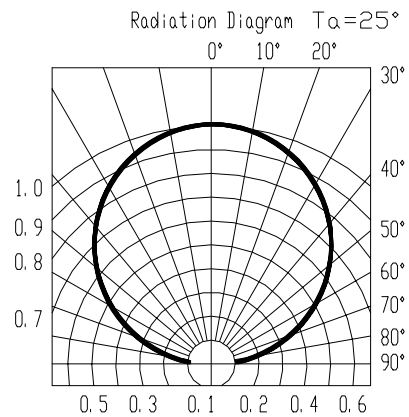
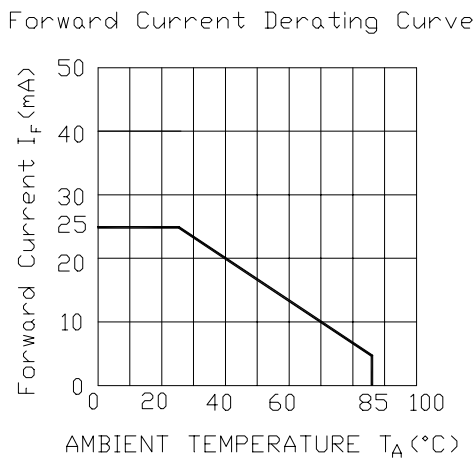
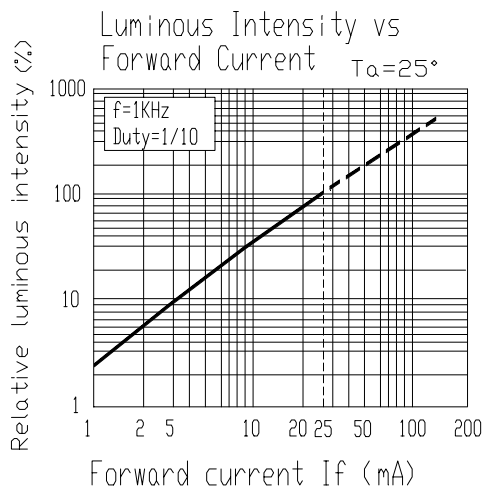
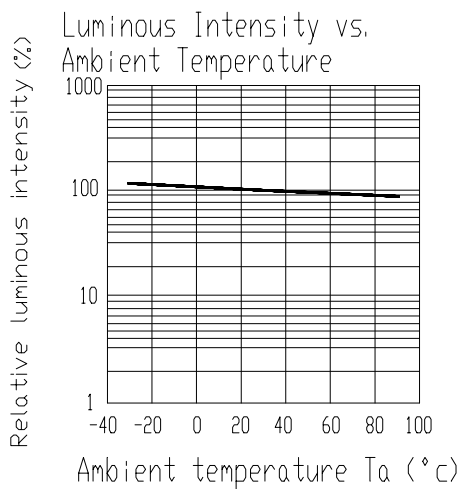
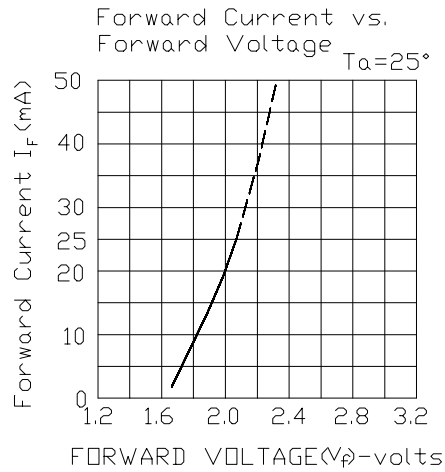
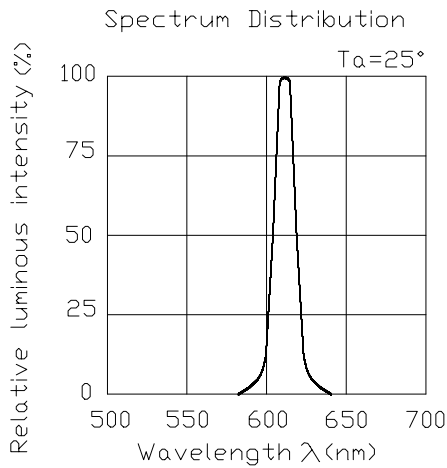
MODEL NO: 67-21UYOC/S530-A2/TR8

Device Number : DSE-671-087 REV. 1.0

TOP LEDs

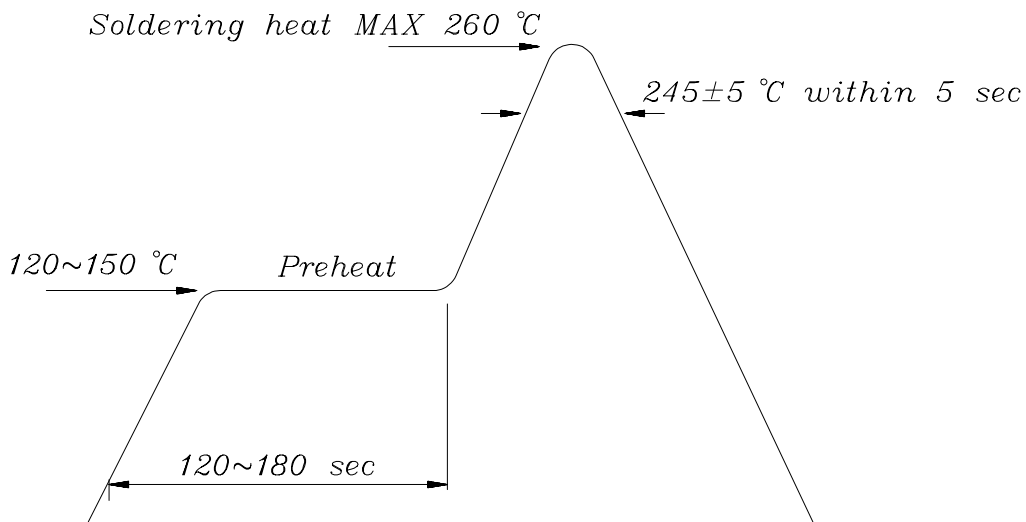
ECN : _____ Page: 5/7

Typical Electro-Optical Characteristic Curves :



■ **Soldering heat reliability (DIP) :**

Please refer to the following figure :

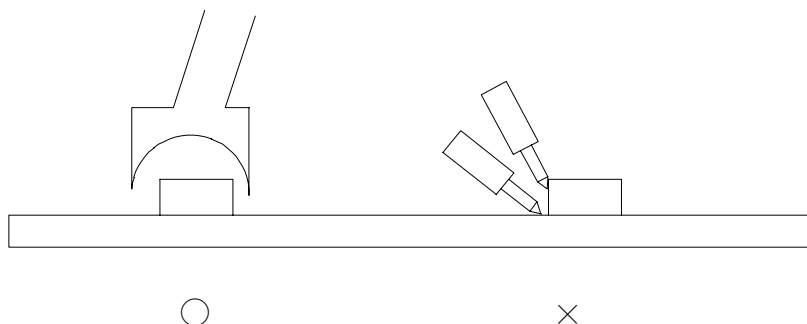


■ **Soldering Iron :**

Basic spec is ≤ 5 sec when 245°C .If temperature is higher, time should be shorter (+10°C → -1sec). Power dissipation of Iron should be smaller than 15 W , and temperature should be controllable. surface temperature of the device should be under 230 °C .

■ **Rework :**

1. Customer must finish rework within 5 sec under 245°C .
2. The head of iron can not touch copper foil.
3. Twin-head type is preferred.





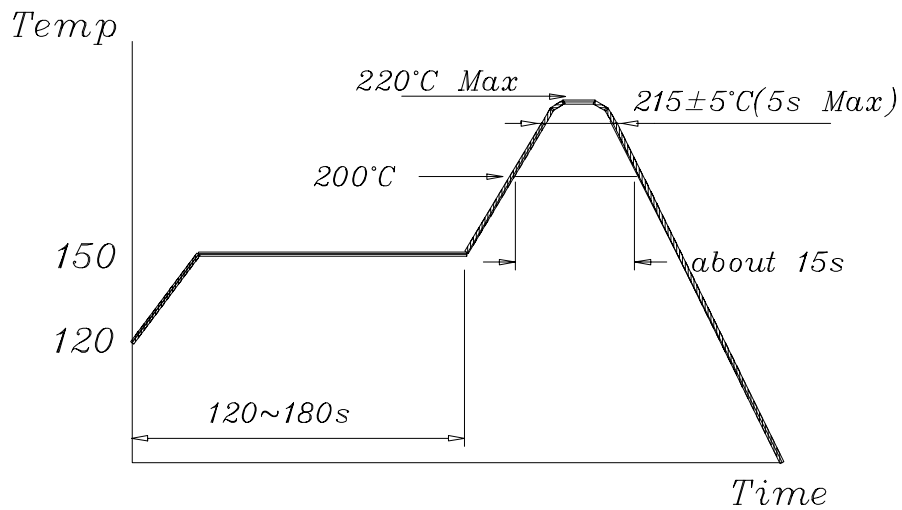
MODEL NO: 67-21UYOC/S530-A2/TR8

Device Number : DSE-671-087 REV. 1.0

TOP LEDs

ECN : Page: 7/7

■ Reflow Temp / Time :



X-ON Electronics

Largest Supplier of Electrical and Electronic Components

Click to view similar products for [Standard LEDs - SMD category](#):

Click to view products by [Everlight manufacturer](#):

Other Similar products are found below :

[LTST-C190KYKT](#) [LTST-C19GD2WT](#) [LTST-N683GBEW](#) [LTW-170ZDC](#) [598-8110-100F](#) [598-8170-100F](#) [598-8610-202F](#) [67-22VRVGC/TR8](#) [AAAF5060QBFSEEZGS](#) [HLMA-QG00-S0021](#) [HLMP-6305-L0011](#) [ALMD-LB36-SV002](#) [APT1608QGW](#) [15-21UYC/S530-A3/TR8](#) [EAST2012YA0](#) [EASV1803BA0](#) [LG M67K-H1J2-24-0-2-R18-Z](#) [LS A676-P2S1-1](#) [SML310BATT86](#) [SML-LX0606SISUGC/A](#) [SML-LXL1307SRC-TR](#) [SML-LXR851SIUPGUBC](#) [LT1ED53A](#) [FAT801-S](#) [AM27ZGC03](#) [APB3025SGNC](#) [APFA3010SURKCGKQBDC](#) [APHK1608VGCA](#) [APT2012QGW](#) [LTST-C250KGKT](#) [LTW-010DCG](#) [LTW-020ZDCG](#) [LTW-21TS5](#) [LTW-220DS5](#) [LY L29K-H1J2-26](#) [UYGT801-S](#) [42-21UYC/S530-A3/TR8](#) [LO T67F-V1AB-24-1](#) [YGFR411-H](#) [598-8330-117F](#) [SML-LX0402IC-TR](#) [CMDA20AYAA7D1S](#) [CMDA16AYDR7A1X](#) [598-8040-100F](#) [598-8070-100F](#) [598-8140-100F](#) [598-8610-200F](#) [EAST2012GA0](#) [EAPL3527GA5](#) [EASV3020YGA0](#)