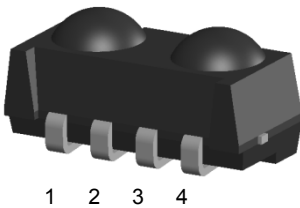


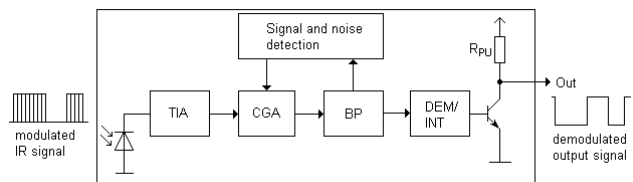
Infrared Receiver Control Receiver Module IRM-V8xxC/TR1 Series



Pin Configuration

1. GND
2. Vcc
3. Out
4. GND

Block Diagram



Features

- High protection ability against EMI
- Circular lens for improved reception characteristics
- Available for various carrier frequencies
- Min burst length: 400us
- Min gap length: 450us
- Low operating voltage and low power consumption
- High immunity against ambient light
- Long reception range
- High sensitivity
- Pb free and RoHS compliant
- Compliance with EU REACH.
- Compliance Halogen Free .(Br <900 ppm ,Cl <900 ppm , Br+Cl < 1500 ppm).

Description

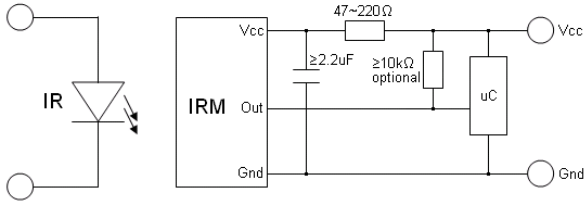
The device is miniature SMD type infrared receiver that has been developed and designed by utilizing the latest IC technology.

The PIN diode and preamplifier are assembled onto a lead frame and molded into a black epoxy package which operates as an IR filter. The demodulated output signal can directly be decoded by a microprocessor..

Applications

- AV equipment such as TV, VCR, DVD, CD, MD, etc.
- CATV set top boxes
- Multi-media Equipment
- Other devices using IR remote control

Application Circuit



Parts Table

Model No.	Carrier Frequency
IRM-V838C/TR1	38 kHz
IRM-V840C/TR1	40 kHz

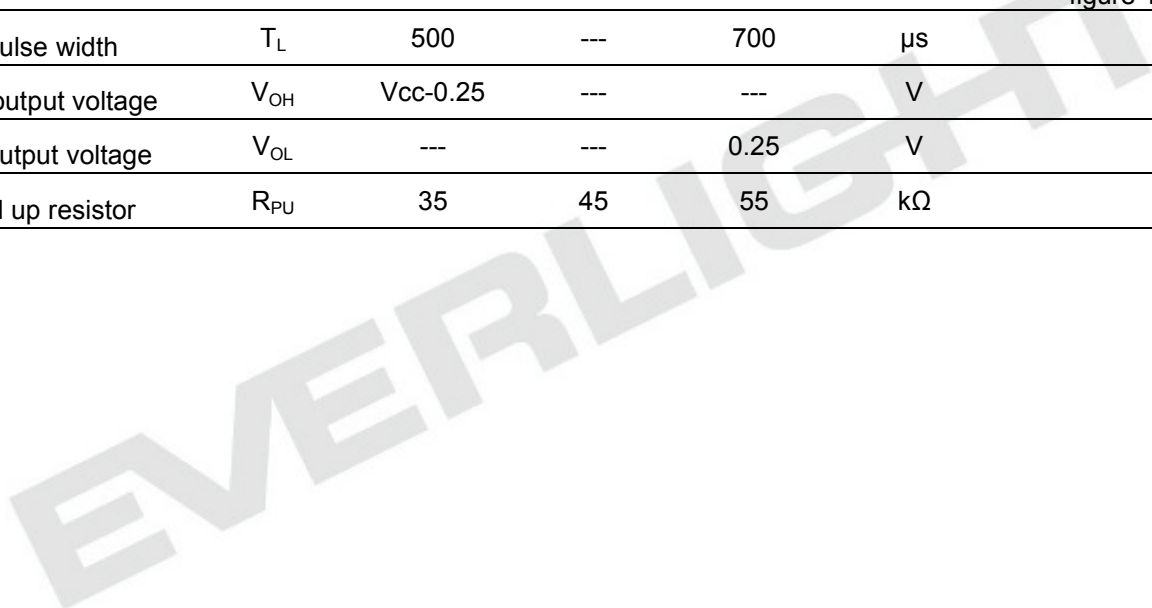
Absolute Maximum Ratings (Ta=25 °C)

Parameter	Symbol	Rating	Unit
Supply Voltage	Vcc	6	V
Operating Temperature	Topr	-20 ~ +85	
Storage Temperature	Tstg	-40 ~ +85	
Soldering Temperature ^{*1}	Tsol	260	

^{*1} 4mm from mold body for less than 10 seconds

Electro-Optical Characteristics (Ta=25 °C)

Parameter	Symbol	Min.	Typ.	Max.	Unit	Condition
Current consumption	I _{CC}	0.3	0.55	0.8	mA	No input signal
Supply voltage	V _{CC}	2.5	-	5.5	V	
Peak wavelength	λ _p	---	940	---	nm	
Reception range	L ₀	8	---	---	m	See chapter ,Test method'
	L ₄₅	5	---	---		
Half angle(horizontal)	φ _h	---	±45	---	deg	
Half angle(vertical)	φ _v	---	±45	---	deg	
High level pulse width	T _H	500	---	700	μs	Test signal according to figure 1
Low level pulse width	T _L	500	---	700	μs	
High level output voltage	V _{OH}	V _{CC} -0.25	---	---	V	
Low level output voltage	V _{OL}	---	---	0.25	V	
Internal pull up resistor	R _{PU}	35	45	55	kΩ	

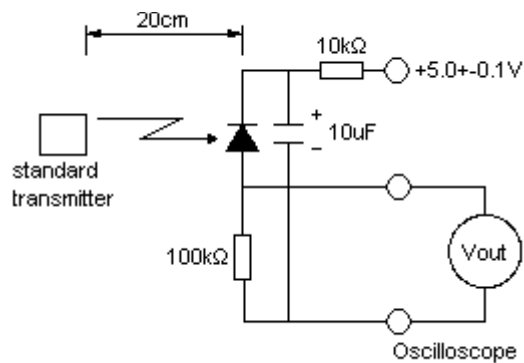
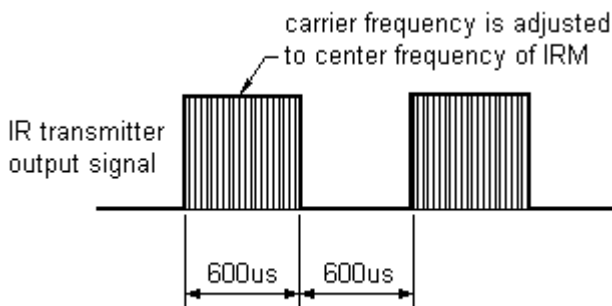


Test method

The specified electro-optical characteristics are valid under the following conditions.

1. Measurement environment
A place without extreme light reflections.
2. External light
The environment contains an ordinary, white fluorescent lamp without high frequency modulation. The color temperature is 2856K and the illumination at the IR receiver is less than 10 Lux ($E_v < 10\text{Lux}$).
3. Standard transmitter
The test transmitter is calibrated by using the circuit shown in figure 2. The radiation intensity of the transmitter is adjusted until $V_o=400\text{mVp-p}$. Both, the test transmitter and the photo diode, have a peak wavelength of 940nm. The photo diode for calibration is PD438B ($\lambda_p=940\text{nm}$, $V_r=5\text{V}$).
4. The measurement system is shown in Fig.-3

Fig.-1 Transmitter Wave Form



D.U.T output Pulse

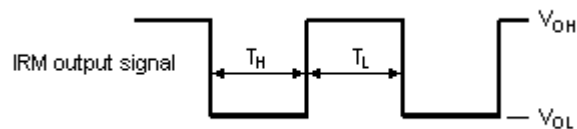
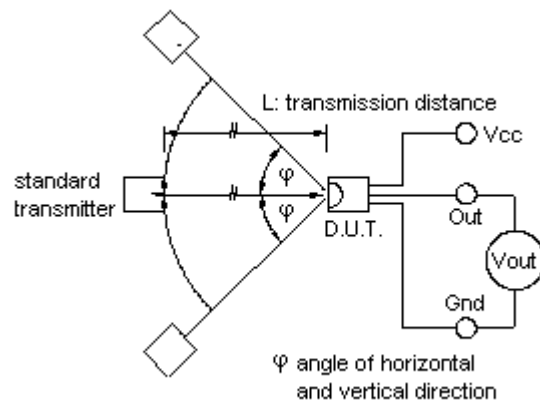


Fig.-3 Measuring System



Typical Electro-Optical Characteristics Curves

Fig.4 Relative Responsibility vs. Wavelength

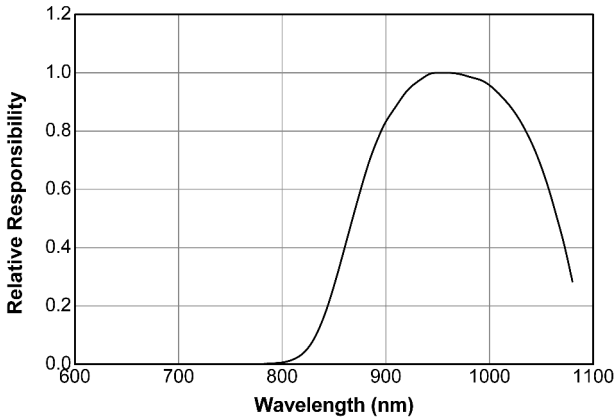


Fig.-5 Relative Sensitivity vs. Angle

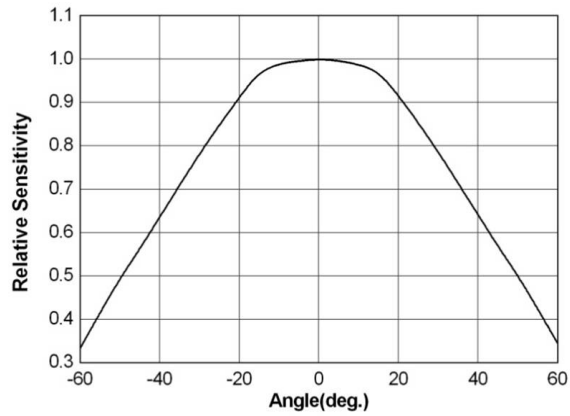


Fig.-6 Output Pulse Width vs. Transmission Distance

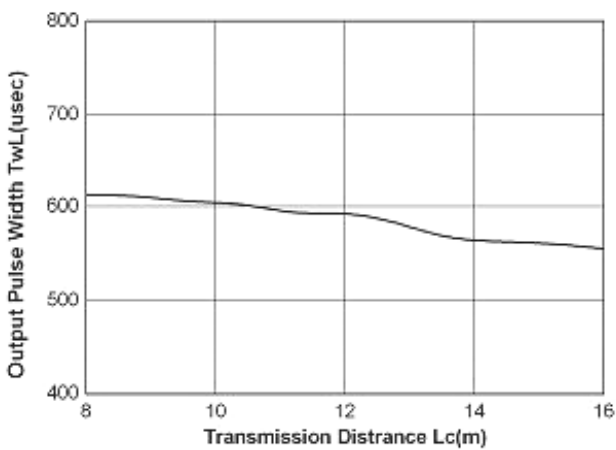


Fig.-7 Relative Transmission Distance vs. Supply Voltage

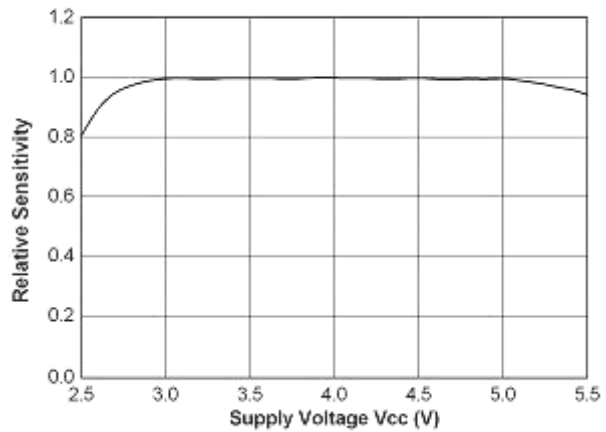
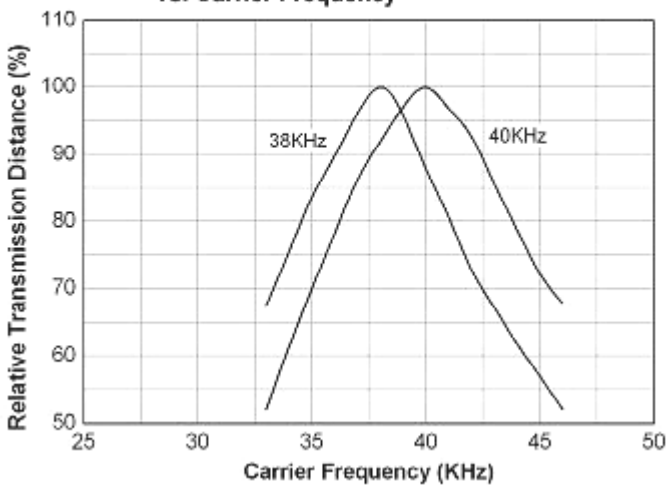
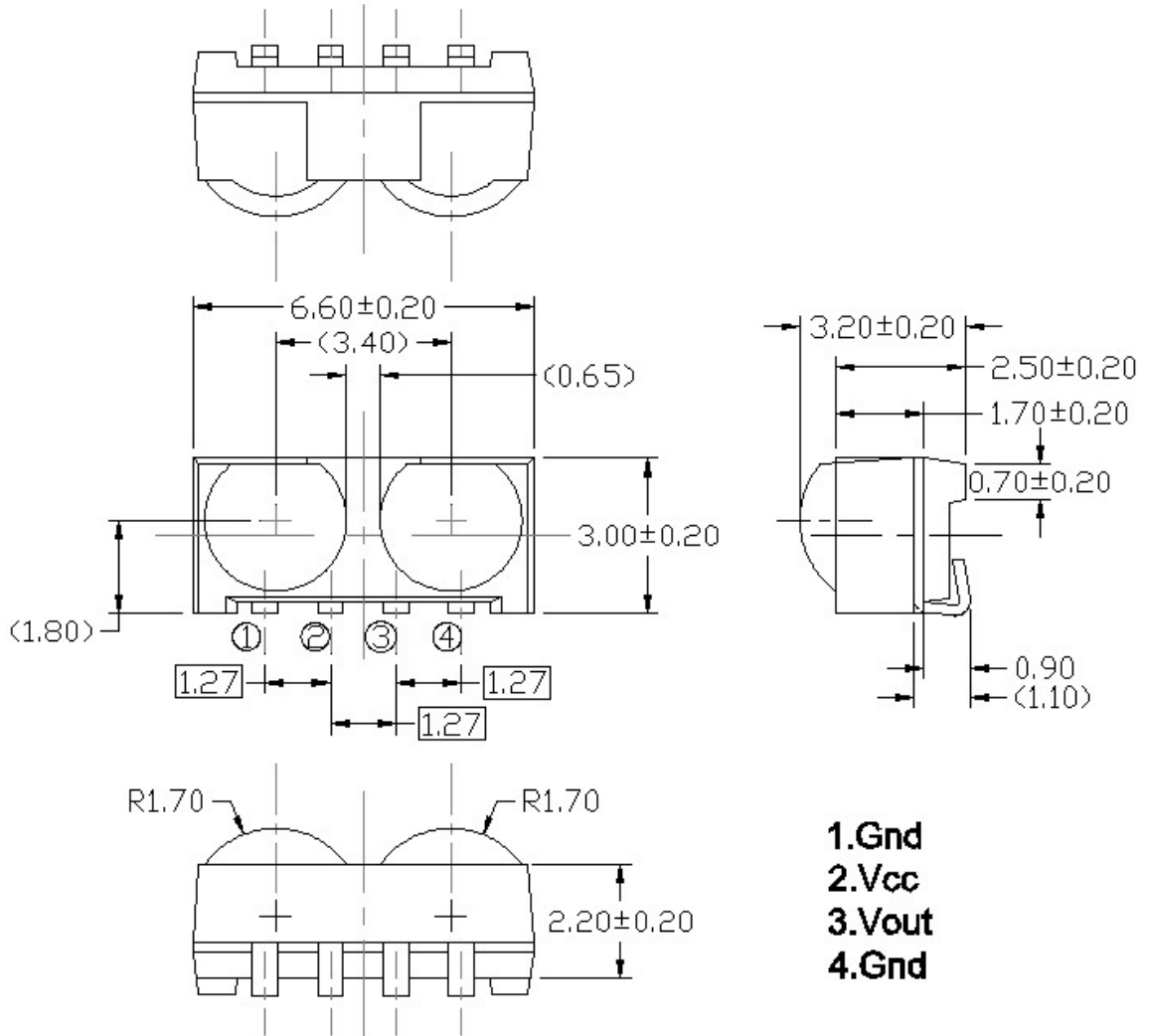


Fig.-8 Relative Transmission Distance vs. Carrier Frequency



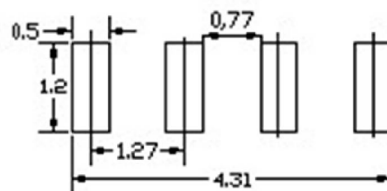
Package Dimension
 (Dimensions in mm)



Unit: mm

Note: Tolerances unless mentioned ± 0.2 mm.

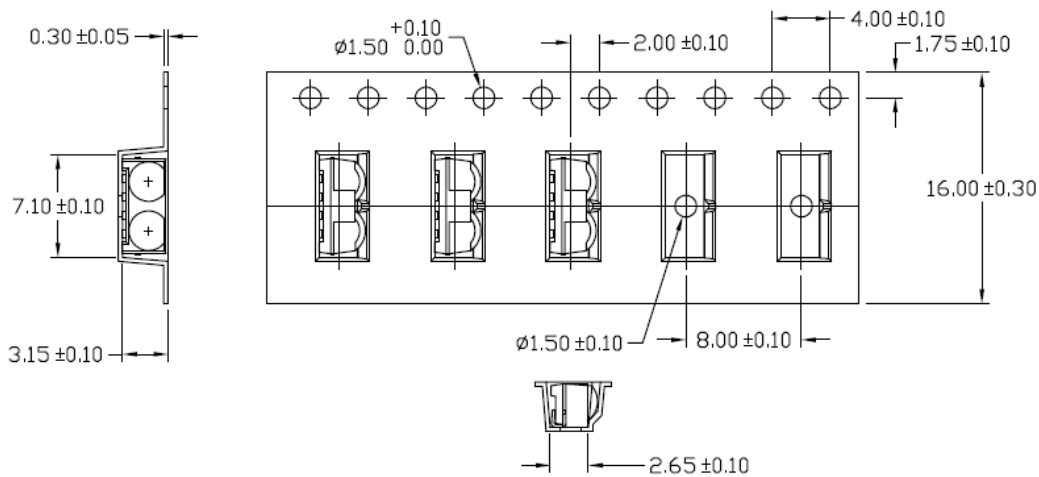
Recommended pad layout for surface mount leadform



Code information

Protocol	Suitable	Protocol	Suitable
RC5	Yes	Sony 12 Bit	Yes
NEC	Yes	Sony 15 Bit	NO
Sony 20 Bit	NO		

**Tape & Reel Packing Specifications
(Dimensions in mm)**



Packing Quantity

1000 pcs / Box
5 Boxes / Carton

Application Restrictions

1. Above specification may be changed without notice. EVERLIGHT will reserve authority on material change for above specification.
2. When using this product, please observe the absolute maximum ratings and the instructions for use outlined in these specification sheets. EVERLIGHT assumes no responsibility for any damage resulting from use of the product which does not comply with the absolute maximum ratings and the instructions included in these specification sheets.
3. These specification sheets include materials protected under copyright of EVERLIGHT. Reproduction in any form is prohibited without the specific consent of EVERLIGHT.

EVERLIGHT

X-ON Electronics

Largest Supplier of Electrical and Electronic Components

Click to view similar products for [Infrared Transceivers](#) category:

Click to view products by [Everlight](#) manufacturer:

Other Similar products are found below :

[350-00017](#) [RPM871-E2A](#) [IRM-V840C/TR1](#) [TFBS4650-TT3](#) [TFDU4301-TR3](#) [TFBR4650-TR1](#) [TFBS4650-TR1](#) [TFBS4650-TR3](#)
[TFBS4652-TR1](#) [TFBS4652-TR3](#) [TFBS4711-TR1](#) [TFBS4711-TT1](#) [TFDU4101-TR3](#) [TFDU4101-TT3](#) [TFDU4301-TR1](#) [TFDU4301-TT1](#)
[TFDU4301-TT3](#)