

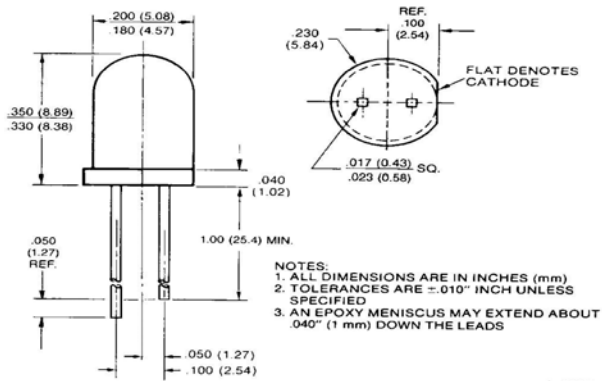


**HIGH CONTRAST T-1³/₄
SOLID STATE LAMPS**

**HIGH EFFICIENCY RED (ORANGE) MV6151
YELLOW MV6351**

**HIGH EFFICIENCY GREEN MV6451
AlGaAs RED MV6951**

PACKAGE DIMENSIONS



C1062F

DESCRIPTION

This White Diffused family of T-1³/₄ lamps gives maximum ON/OFF contrast in high ambient lighting levels. The family features Orange, AlGaAs Red (Dark Red), Yellow and High Efficiency Green as well as High Efficiency Red, which here is Orange. The family exhibits wide viewing angle intended for direct view.

FEATURES

- Excellent ON/OFF contrast
- Pale tint, diffused
- AlGaAs Red plus 3 bright colors: High Efficiency Red/Orange, Yellow and Green
- Alternative for popular MV6X53 family
- Snap-in grommet MP52 available as separate order item

PHYSICAL CHARACTERISTICS

| TYPE | SOURCE COLOR | LENS COLOR | LENS EFFECT | APPLICATION |
|--------|-----------------------|----------------------|-----------------|-------------|
| MV6151 | High Efficiency Red | Pale Orange Diffused | Orange Diffused | Direct View |
| MV6351 | Yellow | Pale Yellow Diffused | Yellow Diffused | Direct View |
| MV6451 | High Efficiency Green | Pale Green Diffused | Green Diffused | Direct View |
| MV6951 | AlGaAs Red | Pale Pink Diffused | Red Diffused | Direct View |



**HIGH CONTRAST T-1 3/4
SOLID STATE LAMPS**

| ELECTRO-OPTICAL CHARACTERISTICS ($T_A=25^{\circ}\text{C}$ Unless Otherwise Specified) | | | | | | | | | |
|---|------|-----------------|--------|--------|--------|--------|---------|----------------------|-------|
| PARAMETER | | SYMBOL | MV6151 | MV6351 | MV6451 | MV6951 | UNITS | TEST COND. | NOTES |
| Luminous Intensity | min. | I_v | 3.0 | 3.0 | 3.0 | 3.0 | mcd | $I_f=20\text{ mA}$ | |
| | typ. | | 12 | 12 | 12 | 12 | mcd | $I_f=20\text{ mA}$ | |
| Forward voltage | max. | V_F | 3.0 | 3.0 | 3.0 | 3.0 | V | $I_f=20\text{ mA}$ | |
| | typ. | | 2.1 | 2.2 | 2.3 | 2.4 | V | $I_f=20\text{ mA}$ | |
| Peak wavelength | typ. | λ_p | 635 | 585 | 565 | 650 | nm | $I_f=20\text{ mA}$ | |
| Reverse breakdown voltage | min. | V_{BR} | 5 | 5 | 5 | 5 | V | $I_f=100\mu\text{A}$ | |
| Total viewing angle between half luminous points | typ. | $2\theta_{1/2}$ | 70 | 70 | 70 | 70 | degrees | $I_f=20\text{ mA}$ | |

| ABSOLUTE MAXIMUM RATINGS ($T_A=25^{\circ}\text{C}$ Unless Otherwise Specified) | | | | | |
|--|-----------------|--------------------|-----------------|---------|-------|
| PARAMETER | YELLOW | HI EFF. RED RED | GREEN | UNITS | NOTES |
| Power dissipation | 85 | 120 | 120 | mW | 1 |
| Continuous forward current | 20 | 35 | 30 | mA | |
| Peak forward current ($1\mu\text{s}$, 0.3% DF) | 60 | 1000 | 90 | mA | |
| Lead soldering time at 260°C | 5 | 5 | 5 | seconds | 2 |
| Storage and operating temperatures | -55°C to +100°C | | -55°C to +100°C | | |

- NOTES**
- Derate linearly from 25°C (MV6451 from 50°C) at $1.6\text{ mW}/^{\circ}\text{C}$.
 - From a point minimum $1/16\text{ inch}$ (1.6 mm) from the bottom of the lamp.



**HIGH CONTRAST T-1^{3/4}
SOLID STATE LAMPS**

TYPICAL ELECTRO-OPTICAL CHARACTERISTIC CURVES
(25°C Free Air Temperature Unless Otherwise Specified)

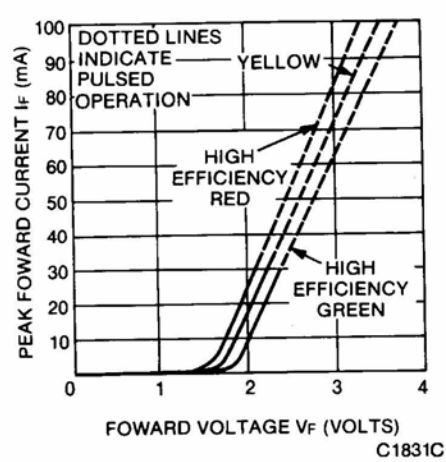


Fig. 1. Forward Current vs. Forward Voltage

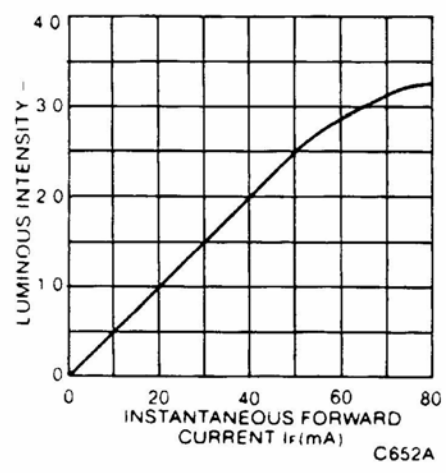


Fig. 2. Luminous Intensity vs. Forward Current

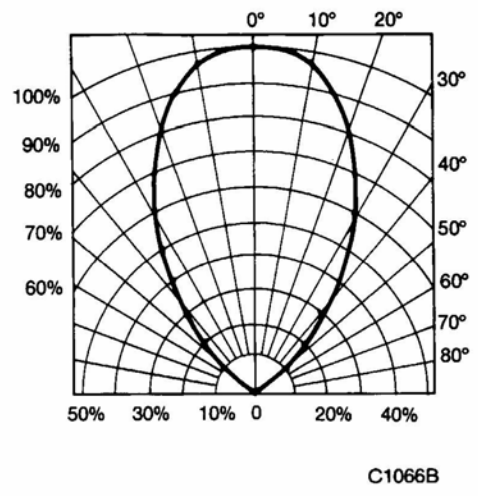


Fig. 3. Spatial Distribution

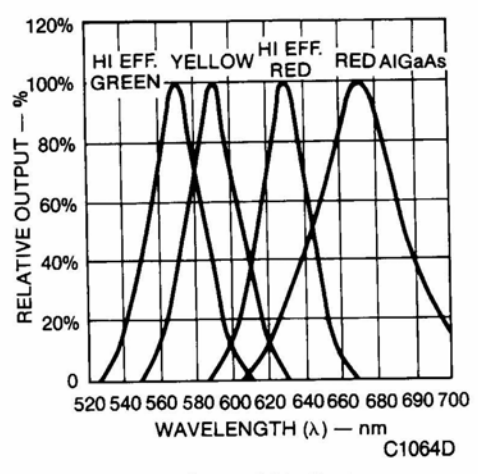


Fig. 4. Spectral Distribution



HIGH CONTRAST T-1 3/4 SOLID STATE LAMPS

DISCLAIMER

FAIRCHILD SEMICONDUCTOR RESERVES THE RIGHT TO MAKE CHANGES WITHOUT FURTHER NOTICE TO ANY PRODUCTS HEREIN TO IMPROVE RELIABILITY, FUNCTION OR DESIGN. FAIRCHILD DOES NOT ASSUME ANY LIABILITY ARISING OUT OF THE APPLICATION OR USE OF ANY PRODUCT OR CIRCUIT DESCRIBED HEREIN; NEITHER DOES IT CONVEY ANY LICENSE UNDER ITS PATENT RIGHTS, NOR THE RIGHTS OF OTHERS.

LIFE SUPPORT POLICY

FAIRCHILD'S PRODUCTS ARE NOT AUTHORIZED FOR USE AS CRITICAL COMPONENTS IN LIFE SUPPORT DEVICES OR SYSTEMS WITHOUT THE EXPRESS WRITTEN APPROVAL OF THE PRESIDENT OF FAIRCHILD SEMICONDUCTOR CORPORATION. As used herein:

1. Life support devices or systems are devices or systems which, (a) are intended for surgical implant into the body, support or sustain life, and (c) whose failure to support perform when properly used in accordance with instructions for use provided in the labeling, can be reasonably expected to result in a significant injury of the user.
2. A critical component in any component of a life support device or system whose failure to perform can be or (b) reasonably expected to cause the failure of the life device or system, or to affect its safety or effectiveness.

X-ON Electronics

Largest Supplier of Electrical and Electronic Components

Click to view similar products for [Standard LEDs - Through Hole category:](#)

Click to view products by [Everlight manufacturer:](#)

Other Similar products are found below :

[LTL-10254W](#) [LTL-1214A](#) [LTL-2231AT](#) [LTL-3251A](#) [LTL-4262N](#) [LTL-433P](#) [LTL-5234](#) [LTL87HTBK](#) [LTX-87HD4B](#) [HLMP-EL30-PS0DD](#) [1L0532V23G0TD001](#) [NSPW500CS](#) [LD CQDP-1U3U-W5-1-K](#) [LP379PPG1C0G0300001](#) [SLR-342MC3F](#) [SLX-LX3044GD](#) [SLX-LX3044ID](#) [SLX-LX3044YD](#) [1.90690.3330000](#) [SSS-LX4673ID-410B](#) [1L0532Y24I0TD001](#) [264-7SYGD/S530-E2](#) [HLMP-1301-G00FG](#) [HLMP1385](#) [LTL-10224W](#) [LTL-1224A](#) [LTL-1234A](#) [LTL-2251AT](#) [LTL-403HR](#) [LTL-4222](#) [LU7-E-B](#) [4380H1](#) [HLMP-3962-F0002](#) [HLMP-GG15-R0000](#) [323-2SURD/S530-A3](#) [L53SRC/E-Z](#) [L-7679C1ZGC](#) [4302T1-5V](#) [4306D23](#) [4363D1/5](#) [WP1503SRC/J4](#) [WP153YDT](#) [WP1543SGC](#) [WP1543SURC](#) [WP53MGD](#) [WP7113HD](#) [WP7113MBD](#) [WP7113MGC](#) [WP7143SEC/H](#) [Z-221A](#)