



EVERLIGHT ELECTRONICS CO., LTD.

DEVICE NUMBER : DPT-042-025 REV : 1.0
ECN : _____ PAGE : 1/7

Top Phototransistor

MODEL NO : PT42-21C/TR8

■ Features :

- Fast response time
- High photo sensitivity
- Small junction capacitance
- High reliability

■ Description :

PT42-21C/TR8 is a high speed silicon NPN epitaxial planar phototransistor in a compact surface-mountable package. It's compatible with automatic placement equipment and can withstand IR reflow, vapor phase reflow, and wave solder processes.

■ Applications :

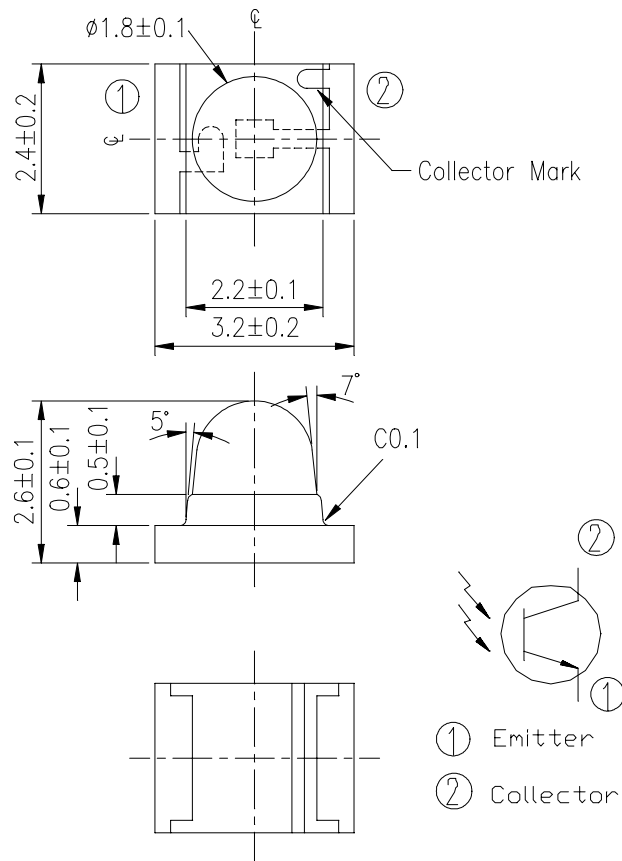
- Miniature switch
- Counters and sorter
- Interrupter
- Position sensor

PART NO.	CHIP	LENS COLOR
	MATERIAL	
PT	Silicon	Water Clear

Top Phototransistor

MODEL NO : PT42-21C/TR8

■ Package Dimensions :



■ Notes :

1. All dimensions are in millimeter.
2. General Tolerance: $\pm 0.25\text{mm}$
3. Lens color : Water clear.
4. Above specification may be changed without notice. EVERLIGHT will reserve authority on material change for above specification.
5. These specification sheets include materials protected under copyright of EVERLIGHT corporation . Please don't reproduce or cause anyone to reproduce them without EVERLIGHT's consent.
6. When using this product , please observe the absolute maximum ratings and the instructions for use outlined in these specification sheets. EVERLIGHT assumes no responsibility for any damage resulting from use of the product which does not comply with the absolute maximum ratings and the instructions included in these specification sheets.



Top Phototransistor

MODEL NO : PT42-21C/TR8

■ Absolute Maximum Ratings at T_A = 25°C

Parameter	Symbol	Rating	Unit	Notice
Collector-Emitter Voltage	V _{CEO}	30	V	
Emitter-Collector- Voltage	V _{ECO}	5	V	
Collector Current	I _C	20	mA	
Operating Temperature	Topr	-25 ~ +85	°C	
Storage Temperature	Tstg	-40 ~ +85	°C	
Soldering Temperature	Tsol	260	°C	
Power Dissipation at(or below) 25°C Free Air Temperature	Pc	75	mW	

■ Electronic Optical Characteristics :

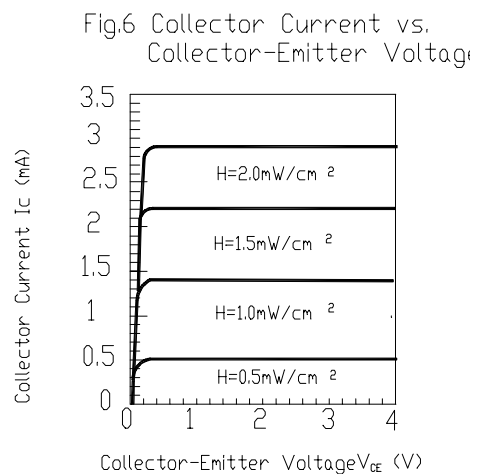
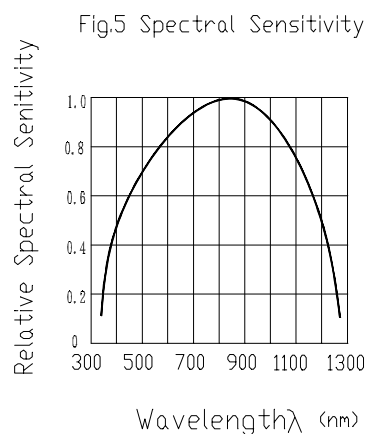
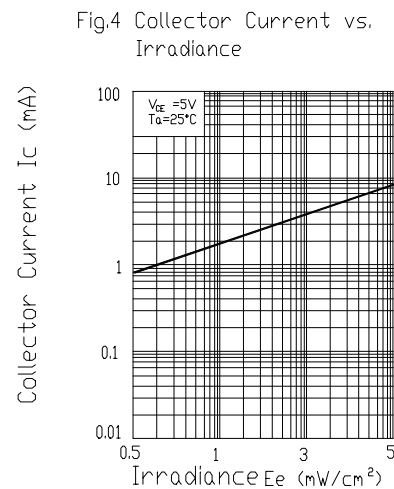
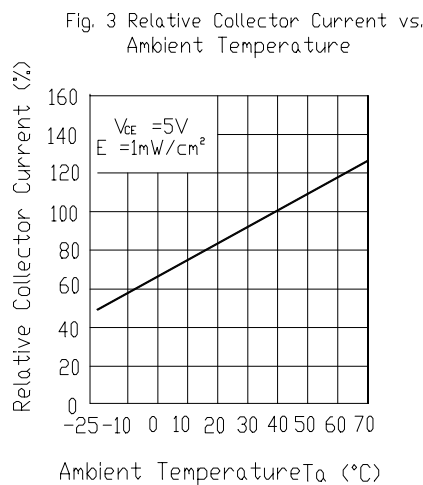
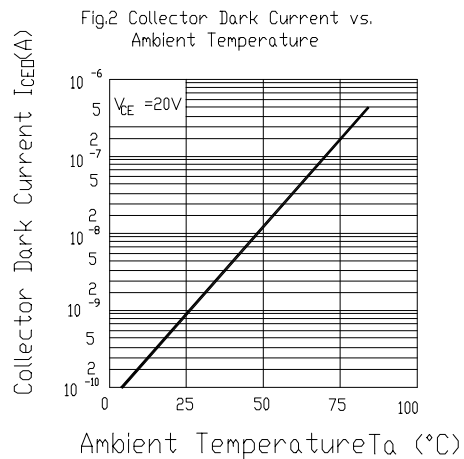
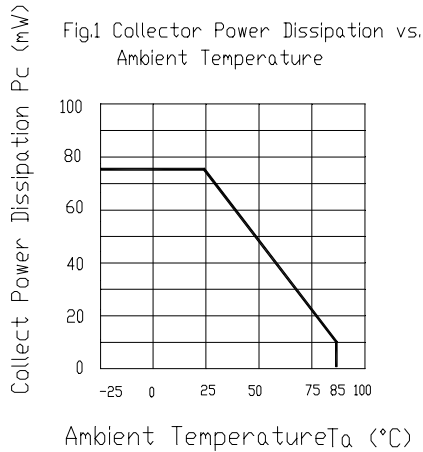
Parameter	Symbol	Min.	Typ.	Max.	Unit	Condition
Collector-Emitter Breakdown Voltage	BV _{CEO}	30	----	----	V	I _C =100 μA Ee=0mW/cm ²
Emitter-Collector Breakdown Voltage	BV _{ECO}	5	----	----	V	I _E =100 μA Ee=0mW/cm ²
Collector-Emitter Saturation Voltage	V _{CE(sat)}	----	----	0.4	V	I _C =2mA Ee=1mW/cm ²
Rise Time	t _r	----	15	----	μS	V _{CE} =5V I _C =1mA R _L =1000Ω
Fall Time	t _f	----	15	----		
Collector Dark Current	I _{CEO}	----	----	100	nA	V _{CE} =20V Ee=0mW/cm ²
On State Collector Current	I _{C(on)}	1.5	1.8	----	mA	V _{CE} =5V Ee=1mW/cm ²
Wavelength of Peak Sensitivity	λ _p	----	860	----	nm	----
Rang of Spectral Bandwidth	λ _{0.5}	----	400---1200	----	nm	----



Top Phototransistor

MODEL NO : PT42-21C/TR8

■ Typical Electrical/Optical/Characteristics Curves





EVERLIGHT ELECTRONICS CO., LTD.

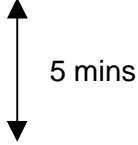
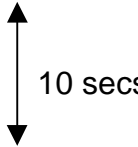
DEVICE NUMBER : DPT-042-025 REV : 1.0
 ECN : _____ PAGE : 5/7

Top Phototransistor

MODEL NO : PT42-21C/TR8

■ Reliability Test Item And Condition

The reliability of products shall be satisfied with items listed below.
 Confidence level:90%
 LTPD:10%

NO.	Item	Test Conditions	Test Hours/ Cycles	Sample Size	Failure Judgement Criteria	Ac/Re
1	REFLOW	TEMP : 240°C ± 5 °C 5 secs	6 mins	22 pcs	$I_{c(on)} \leq L \times 0.8$ L :Lower specification limit	0/1
1	Solder Heat	TEMP : 260°C ± 5 °C	5 secs	22 pcs		0/1
2	Temperature Cycle	H : +85°C 30 mins  L : -55°C 30 mins	50 cycles	22 pcs		0/1
3	Thermal Shock	H : +100°C 5 mins  L : -10°C 5 mins	50 cycles	22 pcs		0/1
4	High Temperature Storage	TEMP. : +100°C	1000 hrs	22 pcs		0/1
5	Low Temperature Storage	TEMP. : -55°C	1000 hrs	22 pcs		0/1
6	DC Operating Life	$V_{CE}=5V$	1000 hrs	22 pcs		0/1
7	High Temperature / High Humidity	85°C / 85% R.H.	1000 hrs	22 pcs		0/1

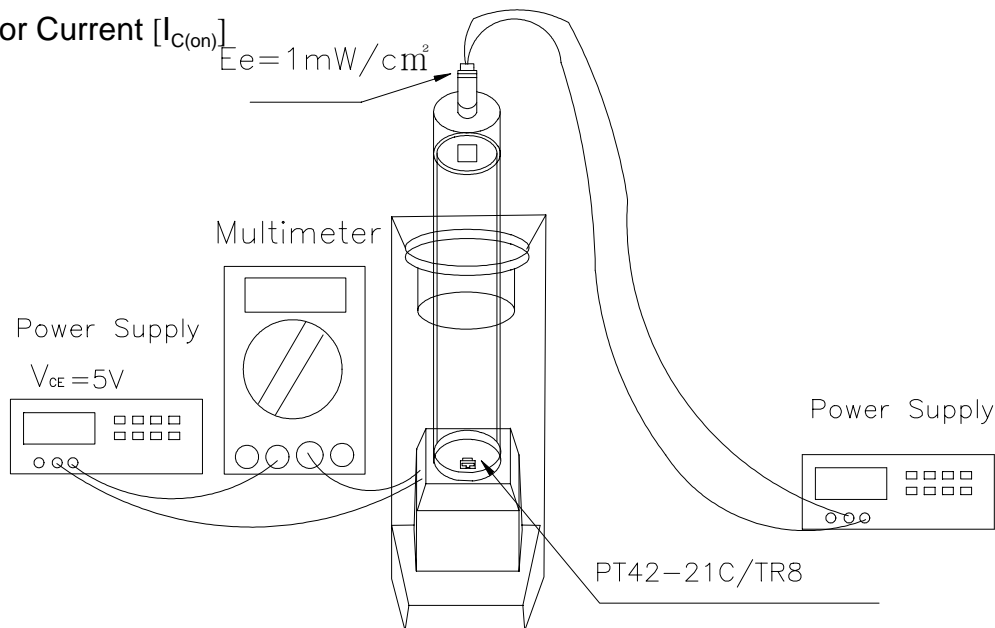
Top Phototransistor

MODEL NO : PT42-21C/TR8

■ Test Method For Reverse Light Current

Condition: $E_e=1\text{mW}/\text{cm}^2, V_{CE}=5\text{V}$

Test Item: Collector Current [$I_{C(on)}$]
(Unit: mA)



■ Package Dimensions:

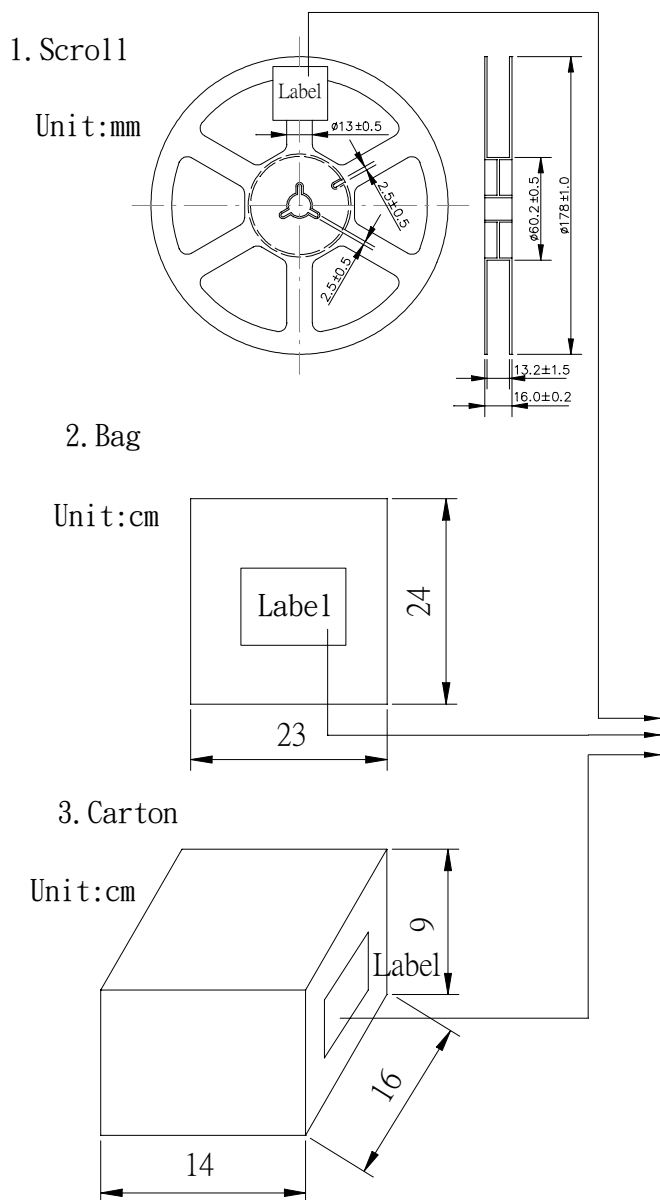


DEVICE NUMBER : DPT-042-025 REV : 1.0
ECN : _____ PAGE : 7/7

Top Phototransistor

MODEL NO : PT42-21C/TR8

■ Packing Specifications



CPN:
P/N:

PT42-21C/TR8
QTY:

LOT NO:

CAT:
HUE:
REF:

MADE IN TAIWAN

CPN : Customer's Production Number
P/N : Production Number
QTY : Packing Quantity
CAT : Ranks
HUE : Peak Wavelength
REF : Reference
LOT NO : Lot Number
MADE IN TAIWAN : Production place

■ Packing Quantity Specification

1.1000 Pcs/1Volume , 1Volume/1Bag
2.55Bags/1Carton

X-ON Electronics

Largest Supplier of Electrical and Electronic Components

Click to view similar products for [Fibre Optic Sensors](#) category:

Click to view products by [Everlight](#) manufacturer:

Other Similar products are found below :

[F04MA03123](#) [E32L56E1](#) [E32L56E2](#) [CCS-NFCB2-3](#) [FX-551-C2](#) [BF3RX-P](#) [CN-14A-R-C2](#) [CN-73-C1](#) [AU-F03-PNP-NO](#) [LL3-TB01](#) [FD-31W](#) [FD-42G](#) [E32-D11L 2M](#) [E32-T11L 2M](#) [1830L3500MSC](#) [FS-04D-100](#) [FS-15T-100](#) [FX-101-CC2](#) [FX-101P](#) [FX-101P-CC2](#) [FX-101P-Z](#) [FX-102-CC2](#) [SM312FP1H](#) [FD-31](#) [FD-62](#) [FX-502](#) [E3X-NA41 2M](#) [FT-F93](#) [FX-102P-CC2](#) [FX-502P](#) [FX-505P-C2](#) [CN-73-C2](#) [CN-24A-C5](#) [CN-24A-C2](#) [CN-14A-R-C5](#) [CN-14A-R-C1](#) [FT-42](#) [FT-A11](#) [FX-301P](#) [CS1W-PTS03](#) [E32-A04 2M](#) [E32-D11R](#) [E3NX-FA54](#) [E3NX-FA9TW](#) [E32-DC200C](#) [E32-T61-S](#) [E32-L25L](#) [E3NX-FA51 2M](#) [E32-T16P](#) [E32-D21R](#)