

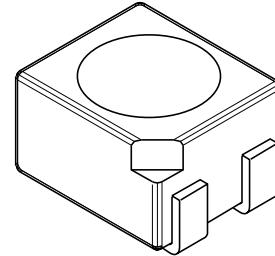
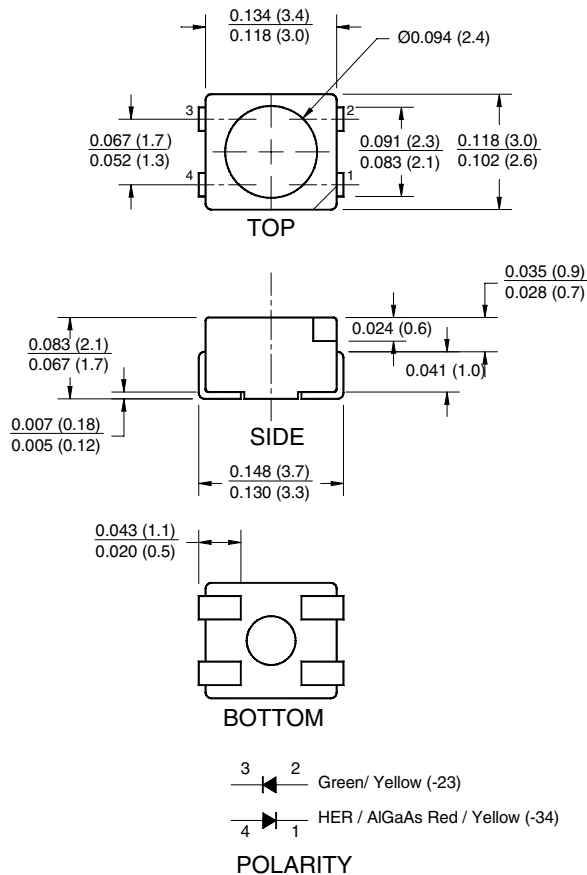
QTLP670C-23 HER/Yellow

QTLP670C-34 Yellow/Green

QTLP670C-24 HER/Green

QTLP670C-74 AlGaAs Red/Green

## PACKAGE DIMENSIONS



NOTE:

Dimensions for all drawings are in inches (mm).

## APPLICATIONS

- Automotive interior lighting
- Status indication for consumer electronics and office equipment

## DESCRIPTION

These dual color surface mount LEDs are designed with flat top and sides for the ease of pick-and-place by automatic placement equipment. They are compatible with convective IR and vapor phase reflow soldering. The package size and configuration conform to EIA-535 BAAC standard specification for case size 3528 tantalum capacitor. These LEDs are ideal for backlighting and optical coupling into light pipes.

## FEATURES

- Wide viewing angle of 120°
- Water clear optics
- Moisture-proof packaging
- Available in 0.315" (8mm) width tape on 7" (178mm) diameter reel; 2,000 units per reel

**QTLP670C-23** HER/Yellow

**QTLP670C-24** HER/Green

**QTLP670C-34** Yellow/Green

**QTLP670C-74** AlGaAs Red/Green

**ABSOLUTE MAXIMUM RATINGS** (T<sub>A</sub> =25°C Unless otherwise specified)

Parameter	Symbol	QTLP670C				Units
		-23	-24	-34	-74	
Continuous Forward Current	I <sub>F</sub>	30 / 30	30 / 30	30 / 30	30 / 30	mA
Peak Forward Current (f = 1.0 KHz, Duty Factor = 1/10)	I <sub>FM</sub>	160 / 160	160 / 160	160 / 160	180 / 160	mA
Reverse Voltage	V <sub>R</sub>	5	5	5	5	V
Power Dissipation	P <sub>D</sub>	84 / 84	84 / 84	84 / 84	72 / 84	mW
Operating Temperature	T <sub>OPR</sub>	-40 to +85				°C
Storage Temperature	T <sub>STG</sub>	-40 to +90				°C
Lead Soldering Time	T <sub>SOL</sub>	260 for 5 sec				°C

**ELECTRICAL / OPTICAL CHARACTERISTICS** (T<sub>A</sub> =25°C)

Parameter	Symbol	QTLP670C				Units
		-23	-24	-34	-74	
Luminous Intensity (mcd)	I <sub>V</sub>	5 / 2.5	5 / 15	2.5 / 15	10 / 15	I <sub>F</sub> = 20mA
Minimum		10 / 5	10 / 25	5 / 25	20 / 25	
Typical						
Forward Voltage (V)	V <sub>F</sub>	2.8 / 2.8	2.8 / 2.8	2.8 / 2.8	2.4 / 2.8	I <sub>F</sub> = 20mA
Maximum		2.0 / 2.0	2.0 / 2.1	2.0 / 2.1	1.9 / 2.1	
Typical						
Wavelength (nm)	λ <sub>P</sub>	635 / 585	635 / 565	585 / 565	660 / 565	I <sub>F</sub> = 20mA
Peak		630 / 590	630 / 570	590 / 570	645 / 570	
Dominant	λ <sub>D</sub>					
Spectral Line Half Width (nm)	Δλ	45 / 35	45 / 30	35 / 30	20 / 30	I <sub>F</sub> = 20mA
Viewing Angle (°)	2θ <sub>1/2</sub>	120	120	120	120	I <sub>F</sub> = 20mA

QTLP670C-23 HER/Yellow

QTLP670C-24 HER/Green

QTLP670C-34 Yellow/Green

QTLP670C-74 AlGaAs Red/Green

## TYPICAL PERFORMANCE CURVES

Fig. 1 Forward Current vs. Forward Voltage

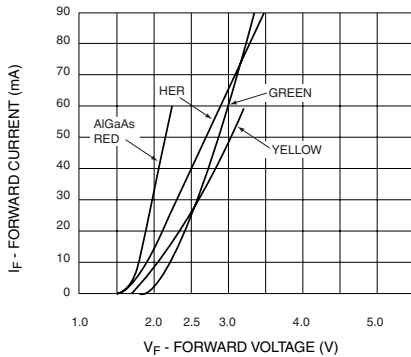


Fig. 2 Relative Luminous Intensity vs. DC Forward Current

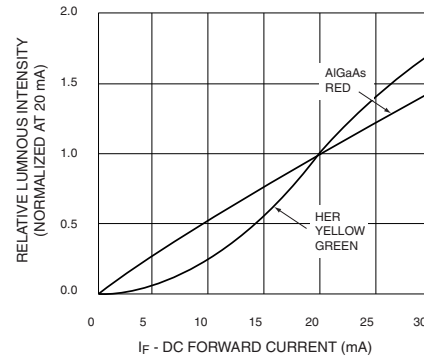


Fig. 3 Relative Intensity vs. Peak Wavelength

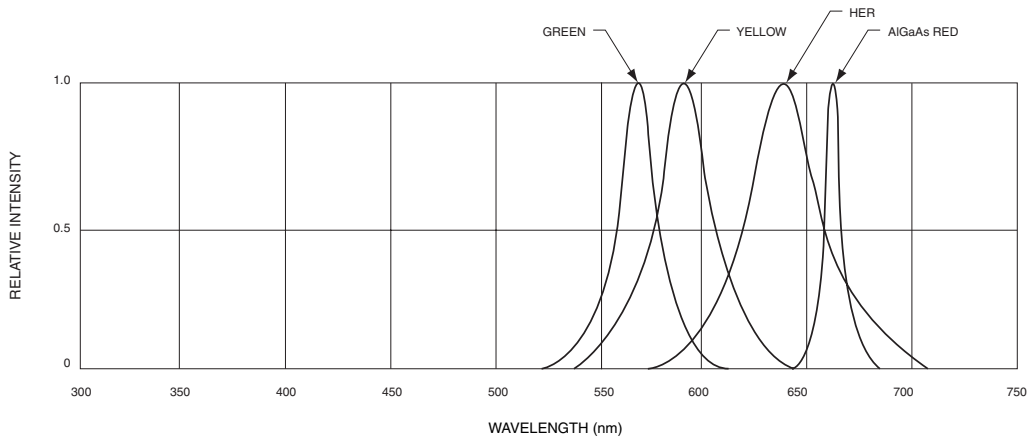


Fig. 4 Radiation Diagram

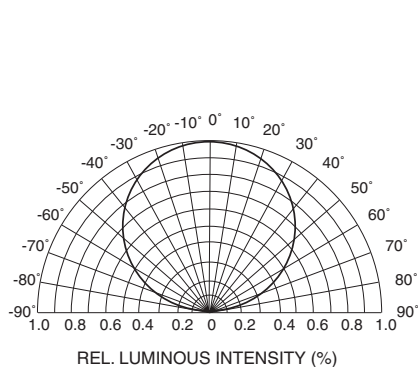
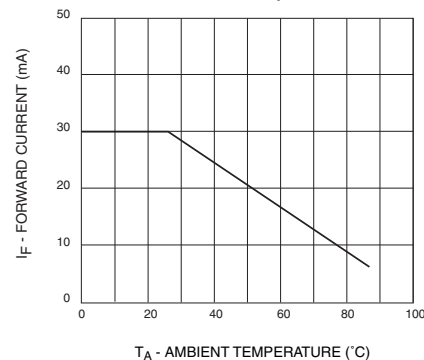


Fig. 5 Maximum Forward Current vs. Ambient Temperature



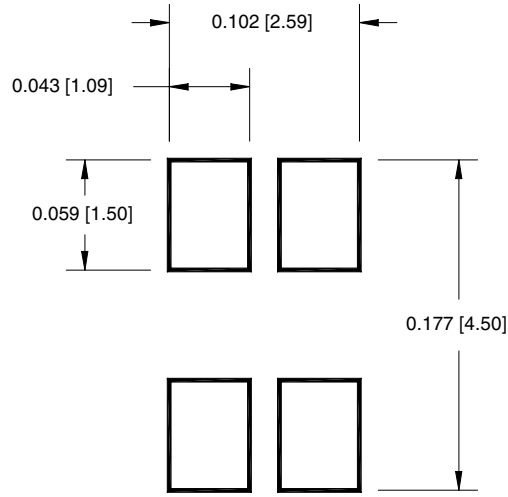
QTLP670C-23 HER/Yellow

QTLP670C-24 HER/Green

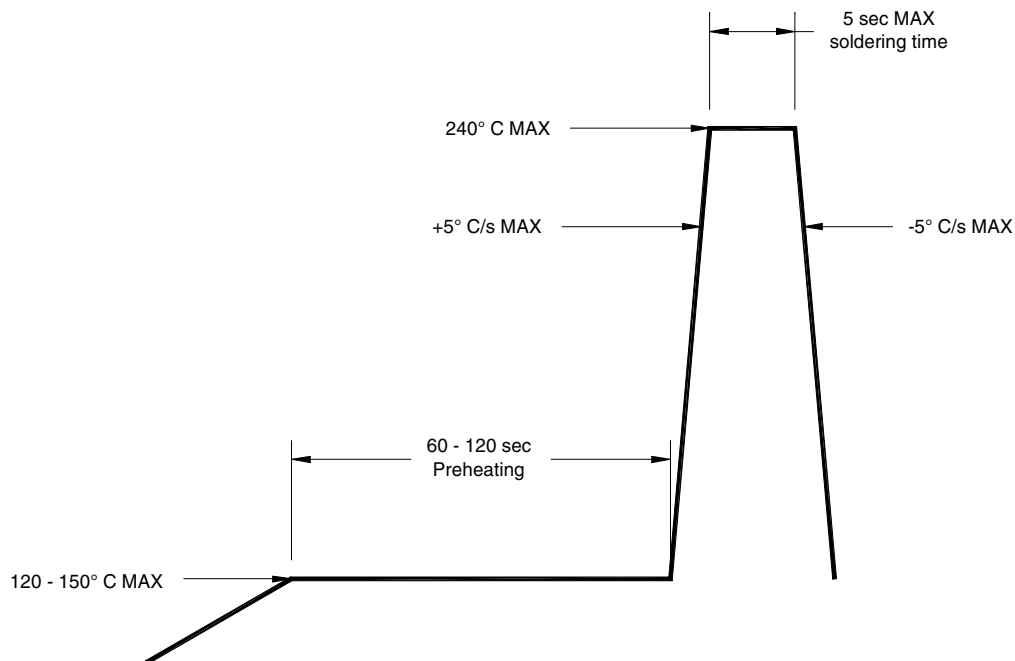
QTLP670C-34 Yellow/Green

QTLP670C-74 AlGaAs Red/Green

**RECOMMENDED PRINTED CIRCUIT BOARD PATTERN**



**RECOMMENDED IR REFLOW SOLDERING PROFILE**



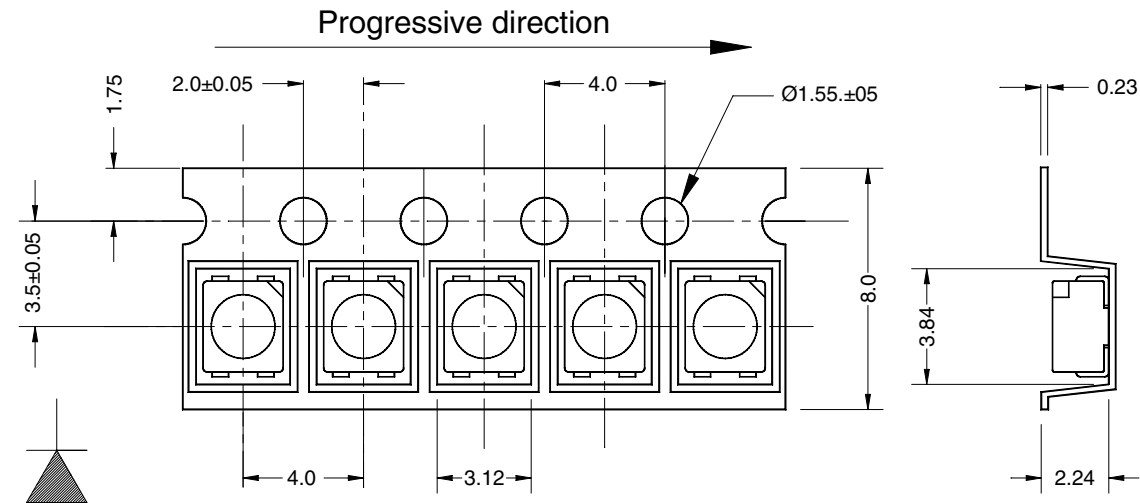
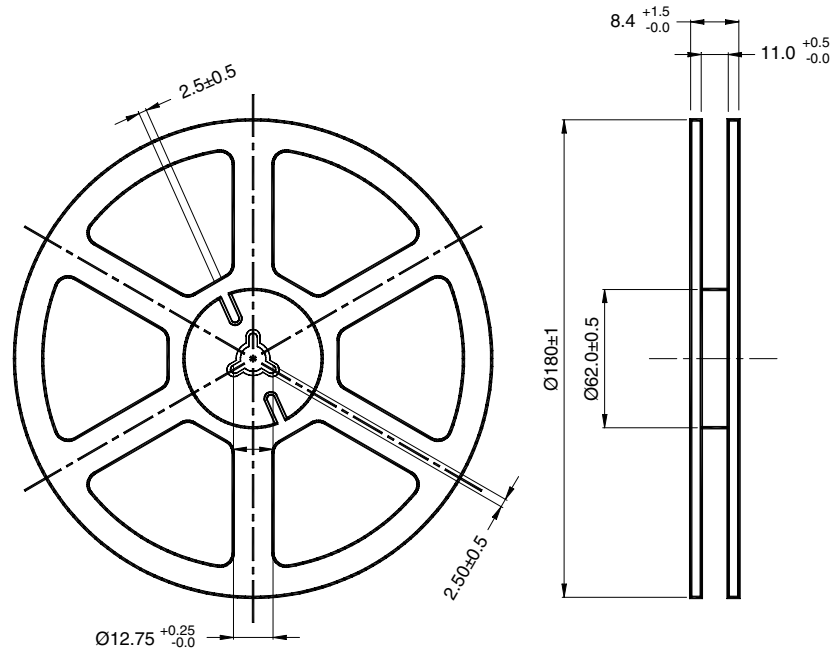
QTLP670C-23 HER/Yellow

QTLP670C-24 HER/Green

QTLP670C-34 Yellow/Green

QTLP670C-74 AlGaAs Red/Green

**TAPE AND REEL DIMENSIONS**



Polarity

Dimensional tolerance is  $\pm 0.1\text{mm}$  unless otherwise specified

Angle:  $\pm 0.5$

Unit: mm

---

**QTLP670C-23** HER/Yellow

**QTLP670C-24** HER/Green

**QTLP670C-34** Yellow/Green

**QTLP670C-74** AlGaAs Red/Green

---

#### **DISCLAIMER**

FAIRCHILD SEMICONDUCTOR RESERVES THE RIGHT TO MAKE CHANGES WITHOUT FURTHER NOTICE TO ANY PRODUCTS HEREIN TO IMPROVE RELIABILITY, FUNCTION OR DESIGN. FAIRCHILD DOES NOT ASSUME ANY LIABILITY ARISING OUT OF THE APPLICATION OR USE OF ANY PRODUCT OR CIRCUIT DESCRIBED HEREIN; NEITHER DOES IT CONVEY ANY LICENSE UNDER ITS PATENT RIGHTS, NOR THE RIGHTS OF OTHERS.

#### **LIFE SUPPORT POLICY**

FAIRCHILD'S PRODUCTS ARE NOT AUTHORIZED FOR USE AS CRITICAL COMPONENTS IN LIFE SUPPORT DEVICES OR SYSTEMS WITHOUT THE EXPRESS WRITTEN APPROVAL OF THE PRESIDENT OF FAIRCHILD SEMICONDUCTOR CORPORATION. As used herein:

1. Life support devices or systems are devices or systems which, (a) are intended for surgical implant into the body, or (b) support or sustain life, and (c) whose failure to perform when properly used in accordance with instructions for use provided in labeling, can be reasonably expected to result in a significant injury of the user.
2. A critical component in any component of a life support device or system whose failure to perform can be reasonably expected to cause the failure of the life support device or system, or to affect its safety or effectiveness.

## X-ON Electronics

Largest Supplier of Electrical and Electronic Components

*Click to view similar products for [Standard LEDs - SMD category](#):*

*Click to view products by [Everlight manufacturer](#):*

Other Similar products are found below :

[LTST-C190KYKT](#) [LTST-C19GD2WT](#) [LTST-N683GBEW](#) [LTW-170ZDC](#) [598-8110-100F](#) [598-8170-100F](#) [598-8610-202F](#) [67-22VRVGC/TR8](#) [AAAF5060QBFSEEZGS](#) [HLMA-QG00-S0021](#) [HLMP-6305-L0011](#) [ALMD-LB36-SV002](#) [APT1608QGW](#) [15-21UYC/S530-A3/TR8](#) [EAST2012YA0](#) [EASV1803BA0](#) [LG M67K-H1J2-24-0-2-R18-Z](#) [LS A676-P2S1-1](#) [SML310BATT86](#) [SML-LX0606SISUGC/A](#) [SML-LXL1307SRC-TR](#) [SML-LXR851SIUPGUBC](#) [LT1ED53A](#) [FAT801-S](#) [AM27ZGC03](#) [APB3025SGNC](#) [APFA3010SURKCGKQBDC](#) [APHK1608VGCA](#) [APT2012QGW](#) [LTST-C250KGKT](#) [LTW-010DCG](#) [LTW-020ZDCG](#) [LTW-21TS5](#) [LTW-220DS5](#) [LY L29K-H1J2-26](#) [UYGT801-S](#) [42-21UYC/S530-A3/TR8](#) [LO T67F-V1AB-24-1](#) [YGFR411-H](#) [598-8330-117F](#) [SML-LX0402IC-TR](#) [CMDA20AYAA7D1S](#) [CMDA16AYDR7A1X](#) [598-8040-100F](#) [598-8070-100F](#) [598-8140-100F](#) [598-8610-200F](#) [EAST2012GA0](#) [EAPL3527GA5](#) [EASV3020YGA0](#)