

Humidity & Temperature Transmitter E2244



Features

- Excellent repeatability and stability
- Fully calibrated and temperature compensated
- Heavy duty IP65 protected enclosure
- 0-10 V and 4-20 mA analog outputs

Specifications

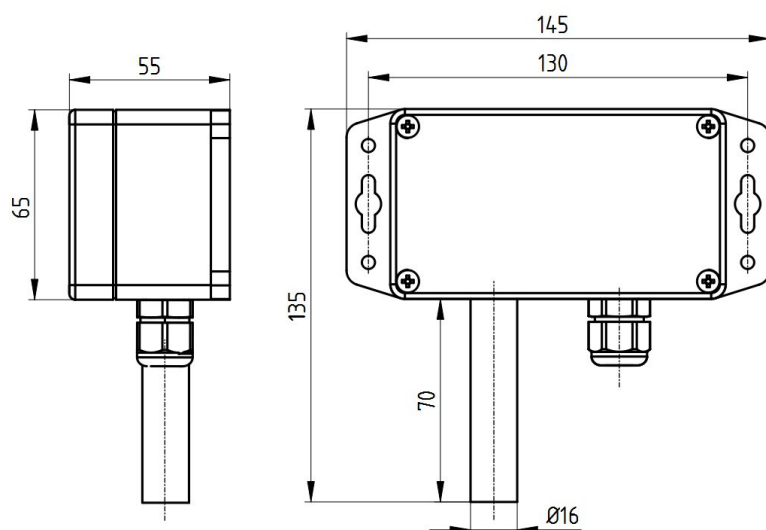
Sensor	Digital combined RH and T sensor
Measurement ranges	Wall-mount E2244: 0...100 %RH, -40...+60 °C Duct-mount E2244-DM: 0...100 %RH, -40...+80 °C
Resolution	0,01 %RH / 0,01 °C
Accuracy	±2,5 %RH / ±0,5 °C ±1,8 % RH / ±0,5 °C on request
Response time T63	4 s
Power supply	12...30 VDC (24 VDC nominal)
Power consumption	<1,2 VA
Analog outputs	2 × 4-20 mA 2 × 0-10 V
Analog output scales	0...100 %RH -40...+60 °C as standard, custom ranges on request
Cable connections	Screwless spring loaded terminals
Enclosure	Grey ABS, wall mount, protection class IP65
Dimensions	Wall-mount: H135 × W145 × D55 Duct-mount: H255 × W145 × D88
Operating environment	Residential, Industrial and office indoor and outdoor places
Operating conditions	-40...+60 °C, 0...100 %RH (non-condensing)
Probe	Wall-mount: Ø16×L70 mm, Duct-mount: Ø16×L200 mm, Incorporated into case, grey painted aluminium body

Duct-mount version

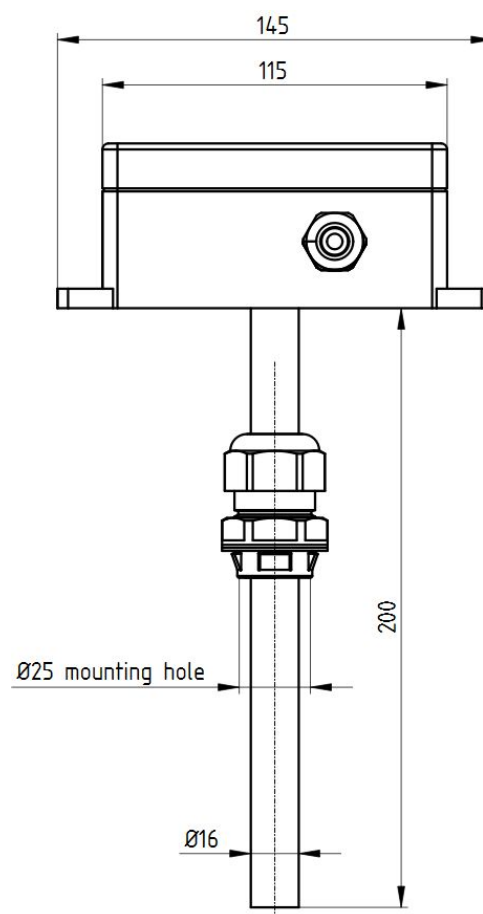


Mounting dimensions

Wall-mount version



Duct-mount version



Connection diagram

+U		Power +		+24 V
GND		Power -		0 V
GND		Analog GND		0 V
RH		Humidity mA		4-20 mA
TEMP		Temperature mA		4-20 mA
RH		Humidity V		0-10 V
TEMP		Temperature V		0-10 V

X-ON Electronics

Largest Supplier of Electrical and Electronic Components

Click to view similar products for [Board Mount Humidity Sensors](#) category:

Click to view products by [EVIKON](#) manufacturer:

Other Similar products are found below :

[HSHCAA114A](#) [SI7020-A20-IMR](#) [SI7023-A20-IM1R](#) [SI7021-A20-IMR](#) [6921734990105](#) [AHT25](#) [AHTT2820](#) [CHR03-3035-S](#) [CHR03-2025-S](#) [HDC3020DEFR](#) [AM2108](#) [AHS01IB](#) [AM2305B](#) [CHT-DS-I](#) [CHT-DS-R](#) [CHT13](#) [CHT-WS-R](#) [CHT-WS-I](#) [CHT-DG](#) [CHT-SHT30-485](#) [GXHT3WM-T](#) [GXHTC3C](#) [GXHT3WM-P](#) [HDC2021DEBR](#) [HDC3021DEHR](#) [AR252/I/T](#) [AR252/I/L150](#) [07300.1-00](#) [07301.0-00](#) [07300.1-01](#) [HCRH-05/V](#) [HCRH-05/V/HQ](#) [HCRH-21KA/V](#) [HCRH-06/PT1000/V/HQ](#) [HCRH-06/PT100/V/HQ](#) [HCRH-MODBUS-KB-V](#) [HCRH-06/PT1000/I](#) [HCRH-MODBUS-V](#) [HCRH-MODBUS-KB](#) [RC-SPC1KA](#) [MUH](#) [HCRH-06/PT1000/V](#) [HCRH-06/PT100/V](#) [HCRH-MODBUS](#) [HCRH-21KB/I](#) [HCRH-21KA/I](#) [07300.0-00](#) [3.000.885](#) [E2353-C5](#) [E2228-RP16-2-S-230](#)