

Low Differential Pressure Transmitter-Regulator E2408-DF


 4-20 mA
 0-10 V

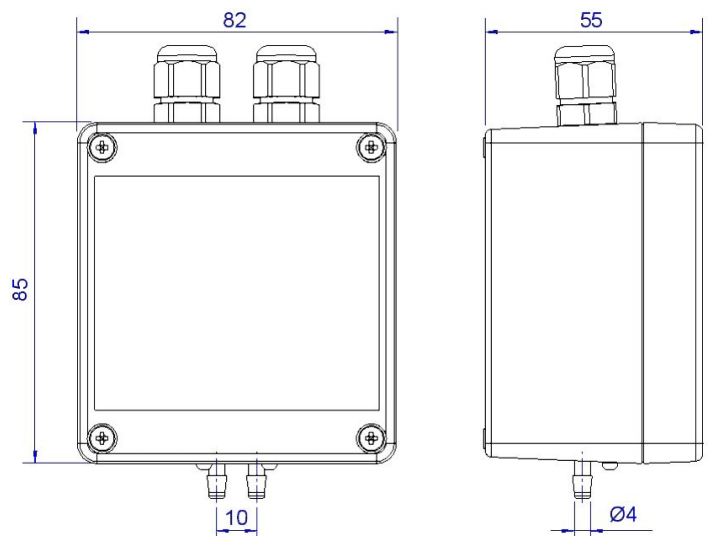
 RS485
 Modbus


Features

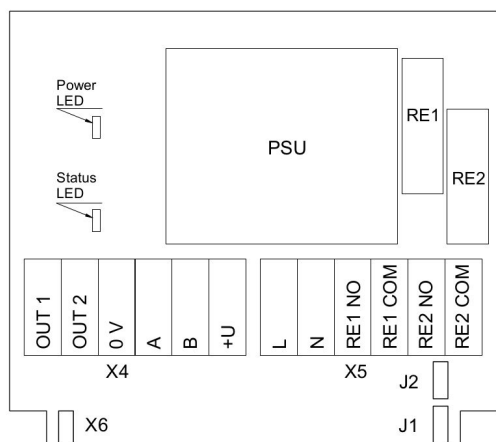
- Ranges from -50...+50 Pa to -500...+500 Pa
- High accuracy, repeatability and zero stability
- Fully calibrated and temperature compensated
- Two configurable SPST output relays
- Two analog outputs settable to 4-20 mA or 0-10 V
- RS485 Modbus RTU digital interface

Specifications

Measured media	Dry clean air without dust, oil, mist, or aggressive compounds
Ranges	E2408-DF-50: -50...+50 Pa E2408-DF-500: -500...+500 Pa
Resolution	0,1 Pa
Sensing method	Thermal microflow
Gas flow through sensor	23 ml/min for ± 50 Pa range 100 ml/min for ± 500 Pa range
Max. overpressure	10 kPa
Zero point accuracy	$\pm 0,2$ Pa, stability < 0,1 Pa / year
Span accuracy	$\pm 3\%$ of reading
Temperature effect	< 0,5% of reading per 10°C
Atm. pressure effect	< 0,1 % of reading per hPa
Power supply	12...36 VDC (default) 24 VAC or 230 VAC as options
Power consumption	< 2 W
Digital interface	RS485, Modbus RTU protocol
Analog outputs	2 \times 4-20 mA / 0-10 V, user switchable
Analog output scales	Freely adjustable within range
Standard output scales	0 - 25 Pa, -25...+25 Pa, 0 - 50 Pa, -50 - +50 Pa, 0 - 100 Pa, -100...+100 Pa, 0 - 250 Pa, -250 - +250 Pa, 0 - 500 Pa, -500 - +500 Pa
Output relays	2 \times SPST relays (closing contact), 250 VAC / 30 VDC, 5 A max
Relay set points	Freely adjustable within range
Enclosure	Grey ABS plastic, wall mount, protection class IP65
Dimensions	H85 \times W82 \times D55 mm
Pressure ports	$\varnothing 4,0...4,9$ mm, for 4/6 mm hose
Operating environment	Business and industrial spaces
Operating conditions	-20...+80 °C, 35...85%RH



Connection diagram



Version with PSU

Jumpers

J1	OUT1 type (open: 4-20 mA; closed 0-10 V)
J2	OUT2 type (open: 4-20 mA; closed 0-10 V)
X6	Reset Modbus network parameters to default

X4 terminals

OUT1	4-20 mA / 0-10 V output
OUT2	4-20 mA / 0-10 V output
0V	0 V / 24 VAC Neutral (optional)
A	RS485 A / Data +
B	RS485 B / Data -
+U	+24 VDC / 24 VAC Phase (optional)

X5 terminals (optional)

L	90...265 VAC Phase
N	90...265 VAC Neutral
RE1 NO	Relay 1, normally open terminal
RE1 COM	Relay 1, common terminal
RE2 NO	Relay 2, normally open terminal
RE2 COM	Relay 2, common terminal

X-ON Electronics

Largest Supplier of Electrical and Electronic Components

Click to view similar products for [Speakers & Transducers](#) category:

Click to view products by [EVIKON](#) manufacturer:

Other Similar products are found below :

[FC-30814-P127](#) [AS02832MR-2-R](#) [PB-1220PE](#) [PB-2015PQ](#) [SWFK-31736-000](#) [PT-2065FW](#) [PT-4175W](#) [PB-0927PQ](#) [BF-9778-000](#) [MBS](#)
[3000-1811-A1AB08-0](#) [SMS2020-08H4.5 LF](#) [BDT1717-08H6.5W56MLF](#) [SP570445-4](#) [FS7833NB0830-H19.0-R01](#) [FS77DS0850-H24-R01](#)
[GSPK5010TN-4R2W](#) [GSPK5010TN-4R3W](#) [KLJ-1504R8W0.5-L44](#) [FS7423NB0430-H10.0](#) [FS50DS0430-H12.7 PEI](#) [FS3511NB0808-H6.7-](#)
[R01](#) [FS66W04100-H31](#) [FS45DS0880-H24.8-R02](#) [FS32NS0820-H5.8-R01](#) [FS2112NB0807-H7.0-R01](#) [FS3520NS0820-H7.9-P1.25-L60](#)
[FS50DS0430-H13.3-R24](#) [FS3411P08-H4.0](#) [FS26NS0820-H4.9-R01](#) [FS14430NB0880-H30-R01](#) [FS5835DS0850-H19.4-R01](#) [FS2011NB0807-](#)
[H3.9-R01](#) [FS28DS0820-H9.4-R01](#) [FS66W0830-H27](#) [FS66W0850-H22](#) [FS40DS0830-H11.2-P2.0-L100](#) [FS28DS0830-H15.3](#) [FS102W0480-](#)
[H35](#) [FS3525NS0820-H5.5-R01](#) [FS5035NB0820-H26.8-R01](#) [FS27DS0830-H10.8-R01](#) [FS3915NB0808-H11.5-R01](#) [FS3020NB0808-H4.0-R01](#)
[FS3616NB0808-H10-R01](#) [FS3514NB0808-H6.0-R01](#) [FS40DS0450-H18.3](#) [FS77W0450-H23.5](#) [FS77W0850-H25.5](#) [FS78W0850-H34](#)
[FS102W04200-H40](#)