



Carbon Monoxide Transmitter E2615-CO



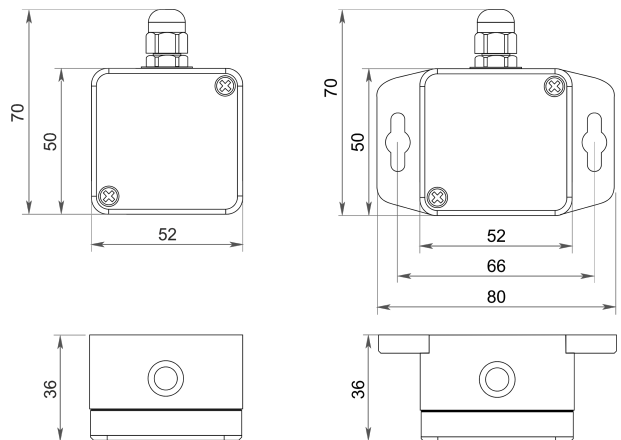
Features

- High long-term stability
- User selectable output 4-20 mA / 0-10 V
- Range of compact wall mount enclosures
- Low cost for volume HVAC applications

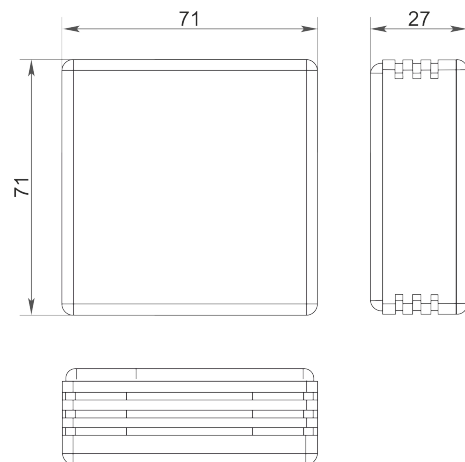
Specifications

Sensor type	Electrochemical
Sampling method	Diffusion
Detection range	0-300 ppm
Maximum overload	2000 ppm
Response time T90	< 30 s
Sensor protection	Microporous PTFE dust filter
Warm-up time	≤ 1 min
Analog output	4-20 mA / 0-10 V, user settable
Power supply	24 VDC ± 20%
Power consumption	< 1 W
Sensor lifetime	≥ 7 years *in an appropriate residential or light commercial applications
Sensitivity drift	< ± 5% / year *in an appropriate residential or light commercial applications
Indoors enclosure IP20 version	White, ivory or black ABS plastic, wall mount, protection class IP20
Weatherproof enclosure IP65 version	Grey ABS plastic, wall mount, protection class IP65
Operating conditions	-20...+50°C, 15-90%RH, pressure 0,9...1,1 atm
EMC Emissions	To EN 61000-6-3, EN 61326-1
EMC Immunity	To EN 61000-6-1, EN 61000-6-2

IP65 Enclosures

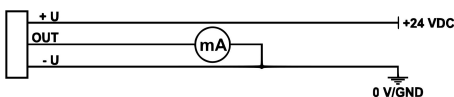


IP20 Enclosures

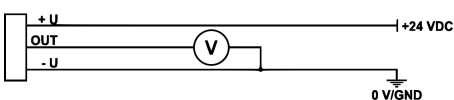


Connection diagrams

3-wire 4-20 mA output



3-wire 0-10 V output



X-ON Electronics

Largest Supplier of Electrical and Electronic Components

Click to view similar products for [Air Quality Sensors](#) category:

Click to view products by [EVIKON](#) manufacturer:

Other Similar products are found below :

[GMS-MSTH2.S.V.3](#) [MO86561](#) [GMS10SENSORS](#) [IR25TT](#) [208280-0001](#) [MP7227-TC](#) [OXY-LC-A25-455](#) [AO-02](#) [ACM2000](#) [AMS2106](#)
[AGS10](#) [AO-08](#) [AO-07](#) [AO-09](#) [AOF1010](#) [SGX-BLD1](#) [SGX-BLD2](#) [3.000.535](#) [HTC-I-L/2000](#) [HTC-V-L/2000](#) [GF5200-A0545-A](#) [3.000.608](#)
[3.000.593](#) [E2615-CO-IP20](#) [11028362-00](#) [T6713-6H](#) [POLOLU-1482](#) [803P602](#) [ER-Q](#) [DE800.V.1](#) [3.000.060](#) [3.000.475](#) [3.000.496](#) [3.000.497](#)
[3.000.630](#) [BME680](#) [HPMA115S0-XXX](#) [ZMOD4410AI1R](#) [T8031-3M](#) [VQ6MB](#) [T8300-DB](#) [INIR-CD-5%](#) [IR11GJ](#) [VQ31MB](#) [IR11BR](#)
[GP2Y1026AU0F](#) [GP2Y1023AU0F](#) [VQ549ZD](#) [MHM501-00](#) [MHM400-01](#)