

Indoor air temperature sensor ET711



Features

- For temperatures from -20 to +50 °C
- Pt100, Pt500, Pt1000, PTC1000 or NTC sensor
- White plastic terminal box, internal sensor
- 4-20 mA or RS-485 Modbus RTU

Specifications

Sensing element	Pt100 class A to EN60751 as standard optionally Pt500, Pt1000, PTC1000, NTC10 or other thermistors
Measurement range	20...+50 °C
Cable connections	Screw terminal block, 2- or 3-wire sensor connection
Operating environment	Residential, business and industrial indoor spaces
Operating conditions	-20...+50 °C, <95 %RH, without condensation
Enclosure	White plastic with ventilation slots, wall mount, protection class IP20
Dimensions	S: H71 × W71 × D27 mm M: H85 × W85 × D37 mm
Analog output options	-C: plain terminal block -I: transmitter 4-20 mA =T1-T2 °C (for enclosure -M only)
Digital interface option	-485: digital interface, RS485, Modbus RTU protocol (for enclosure -M only)

Ordering code

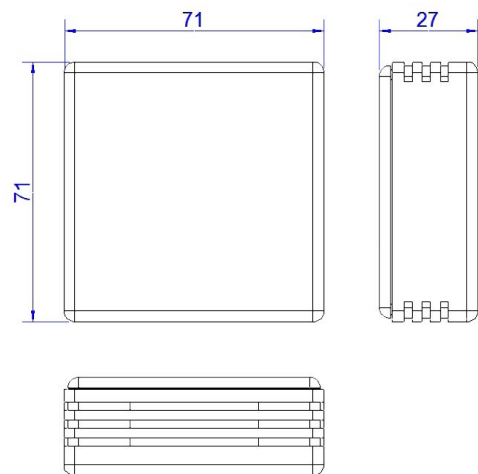
ET711[1]-[2]-[3]

1 - S: small enclosure, M: medium enclosure

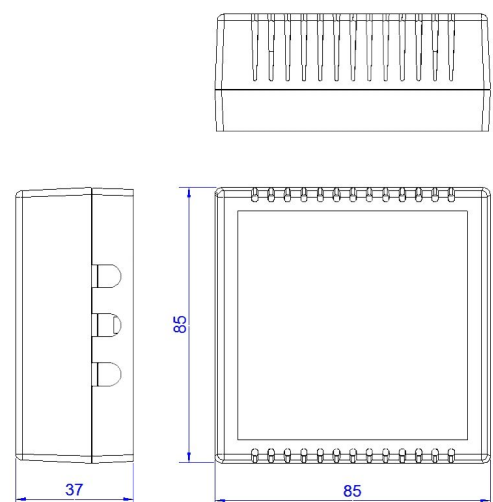
2 - specify sensing element type, e.g. Pt100, Pt1000, NTC10K ...

3 - specify output option I / 485

E711S



E711M



X-ON Electronics

Largest Supplier of Electrical and Electronic Components

Click to view similar products for [Industrial Temperature Sensors](#) category:

Click to view products by [EVIKON](#) manufacturer:

Other Similar products are found below :

[590-59CN02-103](#) [HEL-705-U-0-12-C1](#) [HEL-736-U-2-36](#) [519-39AW09-245](#) [519-39CH01-295](#) [535-32AB36-202](#) [535-32AB37-202](#) [535-34AE08-303](#) [521-33AG04-303](#) [521-53BR01-503](#) [590-32AC34-103](#) [590-32AD05-103](#) [HEL-705-U-0-36-00](#) [HEL-705-U-1-12-C2](#) [LTPCTAA20MDSIEX01](#) [HEL-716-U-0-24-00](#) [R-10331-3F6](#) [89750186](#) [20006233-00](#) [72-21304703-0150.0050.TM](#) [7J-36110002-0100.G005](#) [TEMPSENSORAC](#) [20-20100799-1000](#) [GE-2133D](#) [1000140](#) [7K-15510436-0150.Z000](#) [20-30350599-1000](#) [7K-16510436-0150.Z000](#) [TEMPSENSOR PRO](#) [7J-36110002-0200.G005](#) [ET201-D6L80-PT100-S3](#) [ET201-D6L30-PT100-S3](#) [ET711-M-PT100-C](#) [B57045K0682K000](#) [TM1STPTTSN52015](#) [TM171DWAL2L](#) [E52-CA6DN 1M](#) [R-1630](#) [R-8204](#) [R-8203](#) [B57500K103A1](#) [E52-CA1GTY 1M](#) [JS7352](#) [A-2102](#) [HRTS-5760-B-U-1-12](#) [89750190](#) [JI-F103WN-L301](#) [JI-F103WN-L252](#) [JI-103C1R2-L102](#) [JI-F103WN-L102](#)