


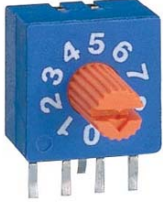


## ERD SERIES 10x10 SIZE SEALED CONSTRUCTION ROTARY TYPE

PIN OUT (3:3)		PIN OUT(1:4)	
			
<b>ERD 1xxxx (Flat Type)</b>	<b>ERD 2xxxx (Shaft Type)</b>	<b>ERD 4xxxx (Flat Type)</b>	<b>ERD 5xxxx (Shaft Type)</b>

### ■ FEATURES

- Molded-in terminals and fully sealed construction.
- All plastics UL 94V-0 grade fire retardant.
- Reliable contact and long-term stability.
- Binary decimal (8 or 10 positions) and hexadecimal (16 positions), real and complementary codes available.
- Pin-out is compatible with most of current equivalents.
- Gold plated contact to ensure low contact resistance.
- RoHS Compliant

### ■ APPLICATIONS

- Address switching applications
- Data storage devices
- Computer and peripherals
- Instrumentation

### ■ SPECIFICATIONS

#### 1.ELECTRICAL

● Contact rating	switching	25mA, 24VDC
	non-switching	100mA
● Contact resistance (initial)		100mΩ Max.
● Insulation resistance		1000mΩ Min. at 100VDC
● Dielectric strength		250VAC Min. for 60 seconds

#### 2.MECHANICAL AND ENVIRONMENTAL

● Temperature rating	operating	-40°C to +85°C
	storage	-40°C to +85°C
● Operation force		500 gf-cm Max.

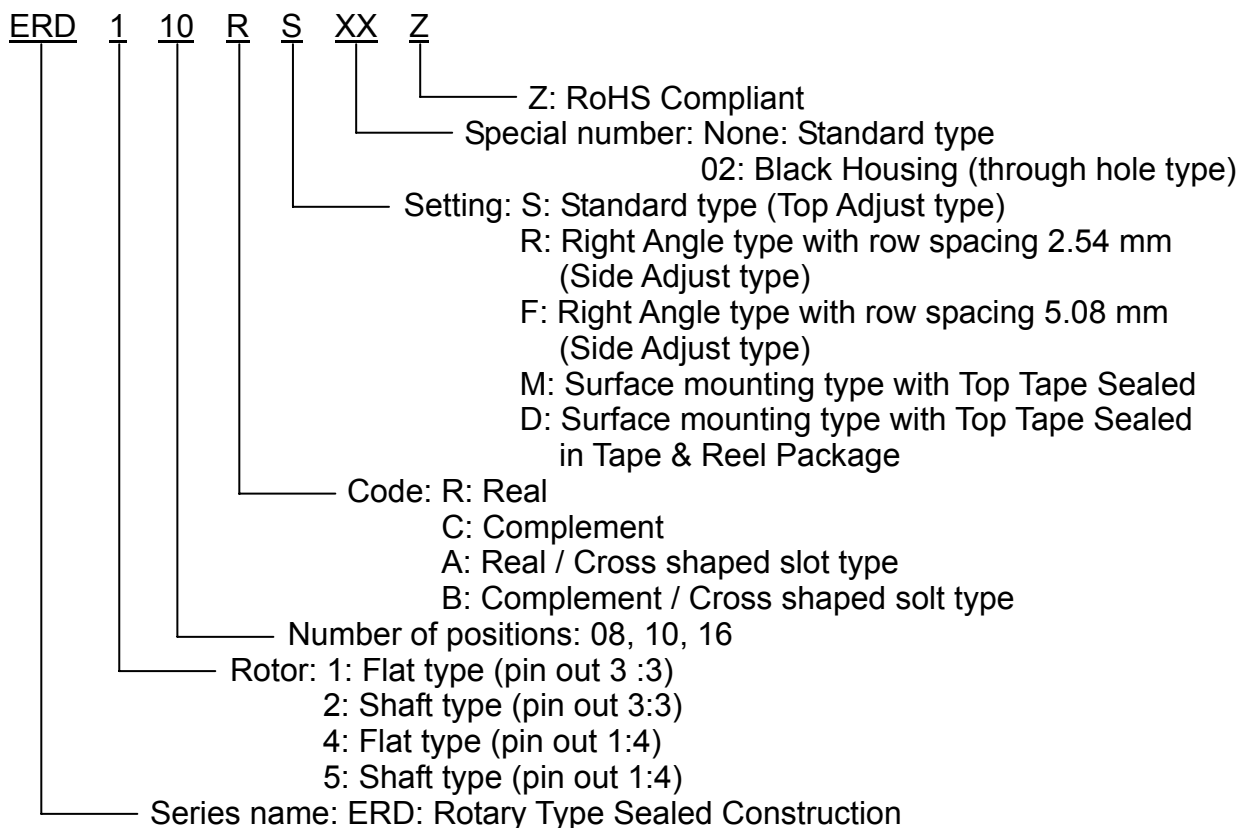


# Switch

● Mechanical life	10000 steps
● Vibration	10Hz-55Hz-10Hz for 6 Hrs.
● Solderability (for through hole type)	After flux 245±5°C for 5±1 seconds
● Resistance to soldering heat (for through hole type)	260±5°C for 5±1 seconds
● Reflow soldering heat for SMT type (reference only)	240°C for 20 seconds or less, peak temperature 260°C or less

The graph shows a reflow soldering temperature profile. The y-axis is Temperature (°C) with markers at 150, 180, 240, and Max. 260. The x-axis is Time (sec) with markers for 120-150 sec and 20 sec Max. The curve starts at 150°C, rises to 180°C, then to a peak of 260°C, and finally cools down.

## ■ PART NUMBERING SYSTEM

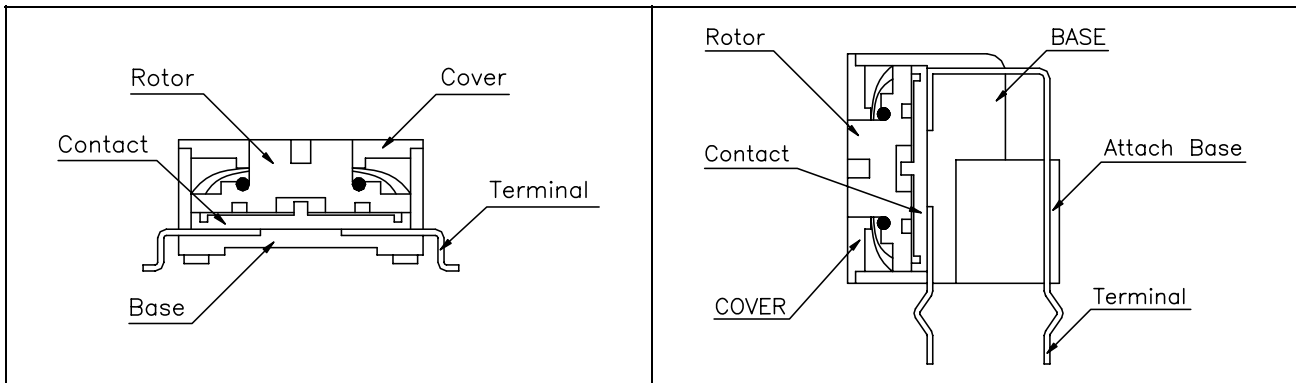


## CODE

PIN NO.	POSITIONS															
	0	1	2	3	4	5	6	7	8	9	A	B	C	D	E	F
1	○	●	○	●	○	●	○	●	○	●	○	●	○	●	○	●
2	○	○	●	●	○	○	●	●	○	○	●	●	○	○	●	●
4	○	○	○	○	●	●	●	●	○	○	○	○	●	●	●	●
8	○	○	○	○	○	○	○	○	○	○	○	○	○	○	○	○

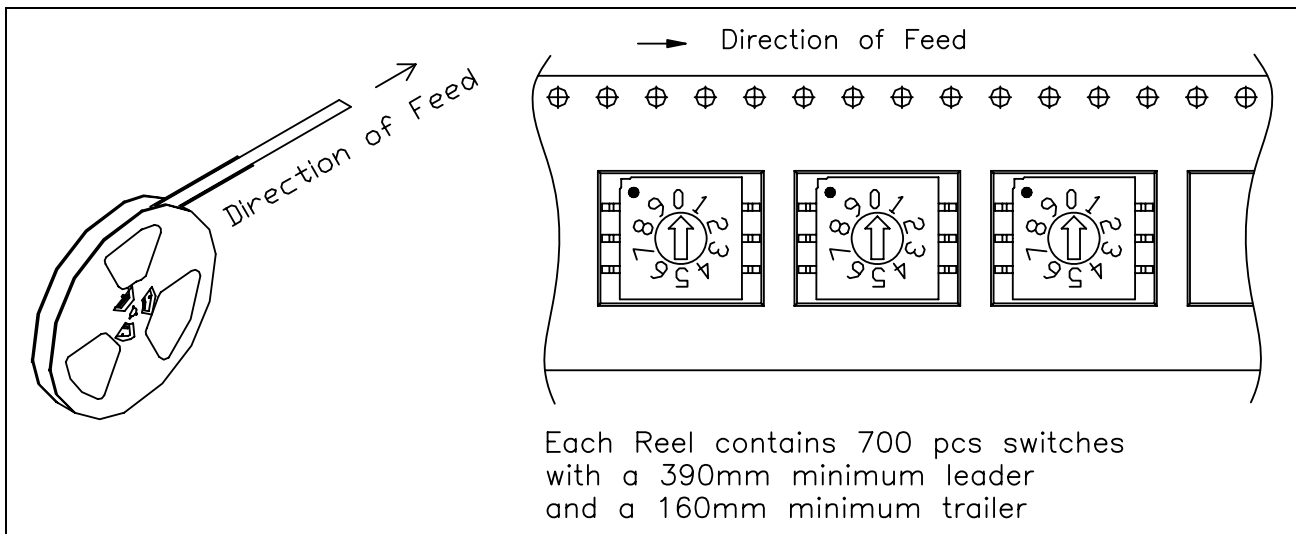
- ... Real Code  
Rotor color:  
White (3:3), Yellow (1:4)
- ... Complement Code  
Rotor color:  
Red (3:3), Orange (1:4)

## CONSTRUCTION



## PACKING

### 1. Tape & Reel Packaging (Per EIA STANDARD)

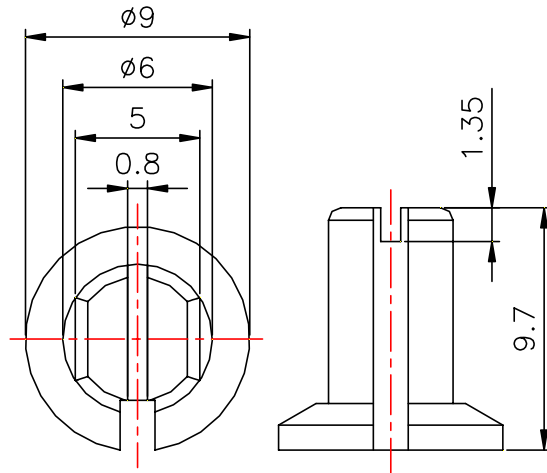


## ■ OPTIONS

1.Special marking available upon request

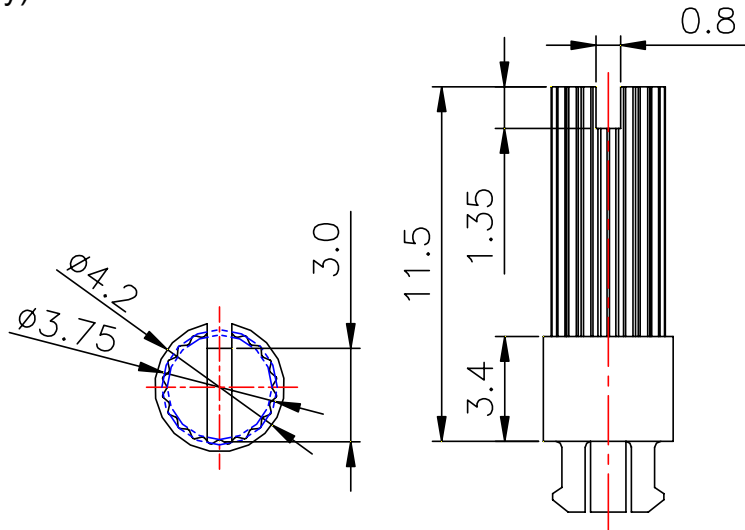
### 2.Shaft Cover

- 418-80100 (White 3:3)
- 418-80200 (Red 3:3)
- 418-80300 (Yellow 1:4)
- 418-80400 (Orange 1:4)



### 3.Shaft (For Cross Slot Type Only)

- 418-90010 (White 3:3)
- 418-90020 (Red 3:3)

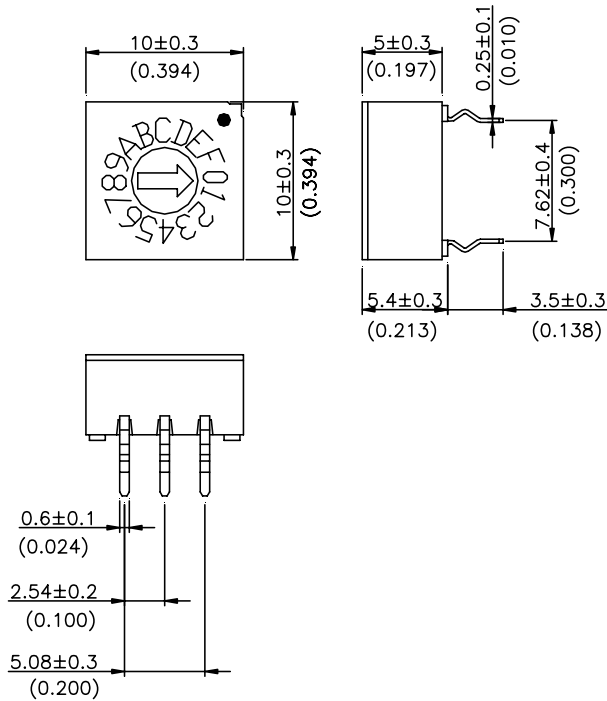


## ■ INTRODUCTION to ECE ROTARY DIP SWITCH

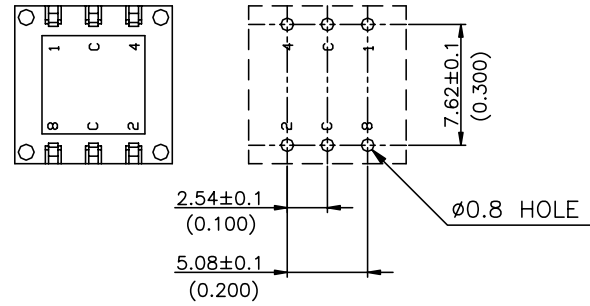
SIZE	POSITIONS	CODE	PIN OUT	ROTOR	TYPE	PART NUMBER
10x10	8,10,16	REAL, COMPLEMENT	3:3	FLAT, SHAFT	STANDARD	ERD1xxxS, ERD2xxxS
					RIGHT ANGLE	ERD1xxxR/F, ERD2xxR/F
				FLAT	SMT	ERD1xxxM
					SMT IN T&R	ERD1xxxD
			1:4	FLAT, SHAFT	STANDARD	ERD4xxxS, ERD5xxxS
					RIGHT ANGLE	ERD4xxxR/F, ERD5xxxR/F
				FLAT	SMT	ERD4xxxM
					SMT IN T&R	ERD4xxxD

## ■ DIMENSIONS AND CIRCUITRY UNIT:mm(inch) PIN OUT 3:3

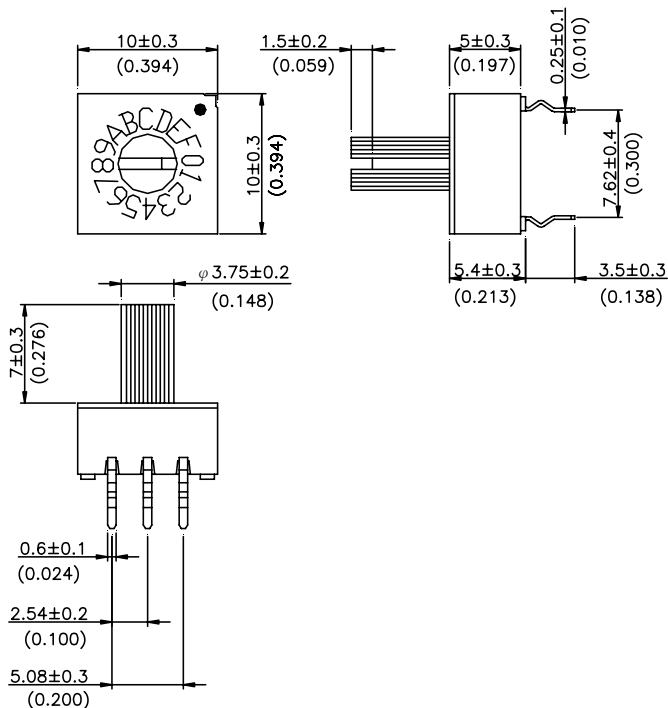
ERD1XXS Flat Type



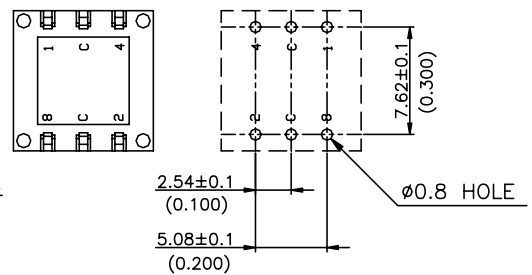
P.C.B. LAYOUT (TOP VIEW)



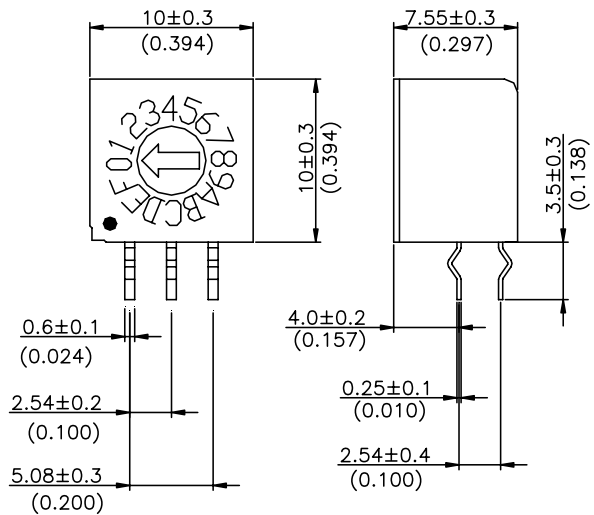
ERD2XXS Shaft Type



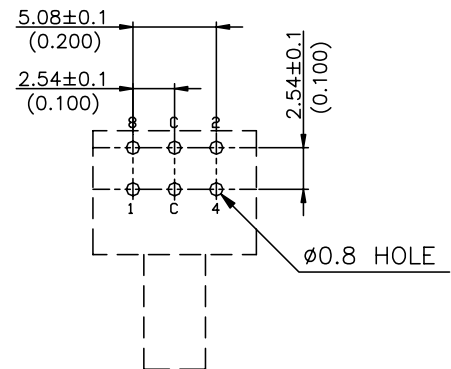
P.C.B. LAYOUT (TOP VIEW)



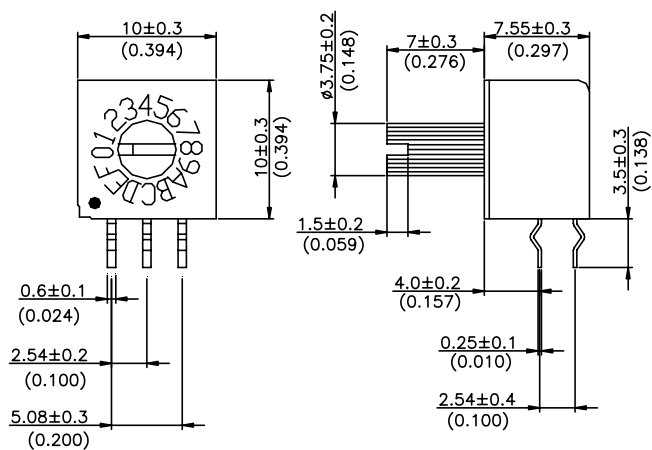
## ERD1XXXR Flat Type



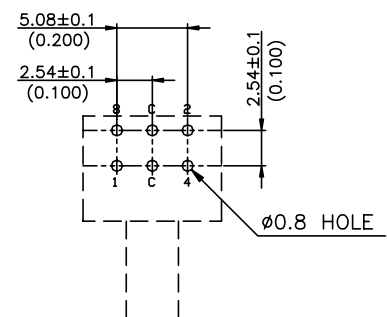
## P.C.B. LAYOUT (TOP VIEW)



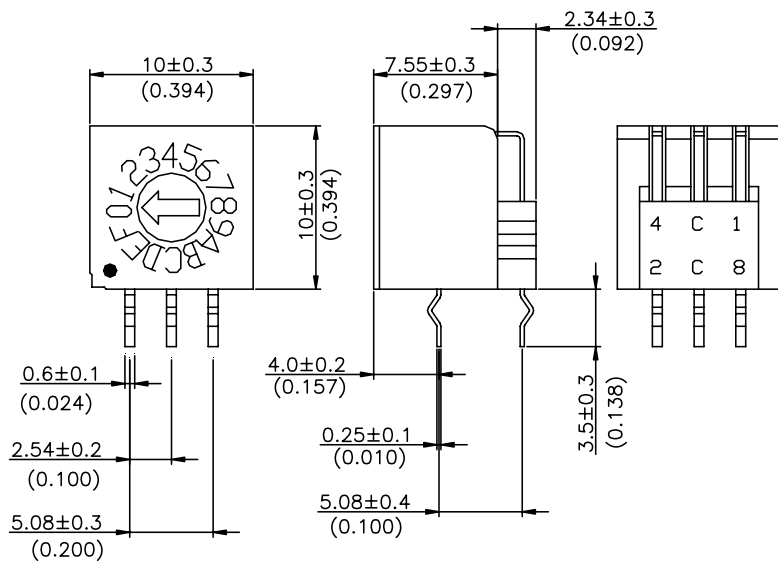
## ERD2XXXR Shaft Type



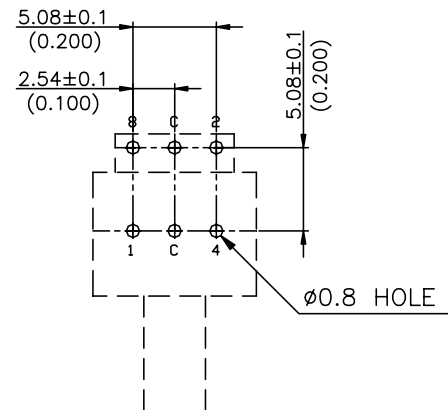
## P.C.B. LAYOUT (TOP VIEW)



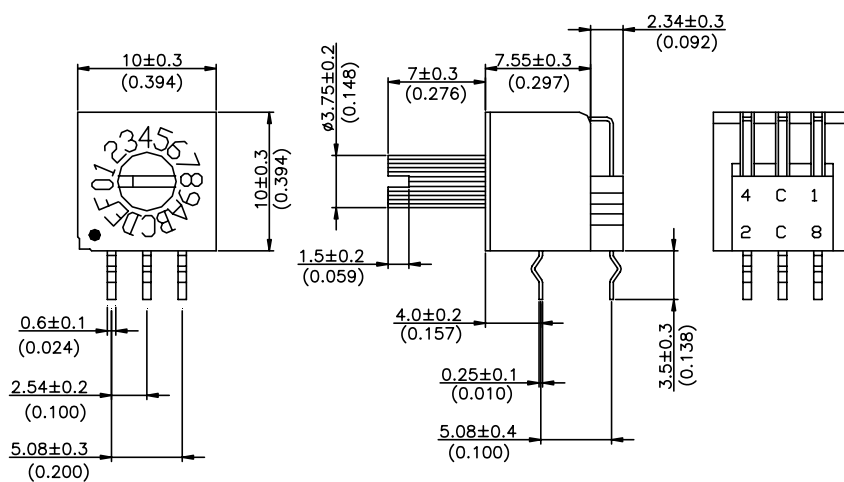
## ERD1XXXF Flat Type



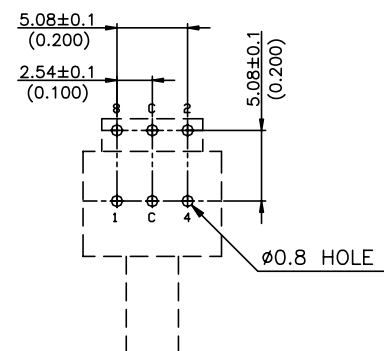
## P.C.B. LAYOUT (TOP VIEW)



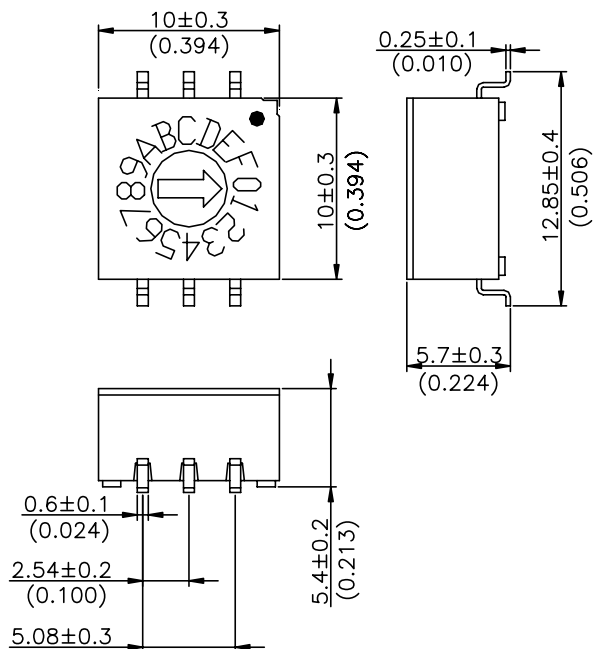
## ERD2XXXF Shaft Type



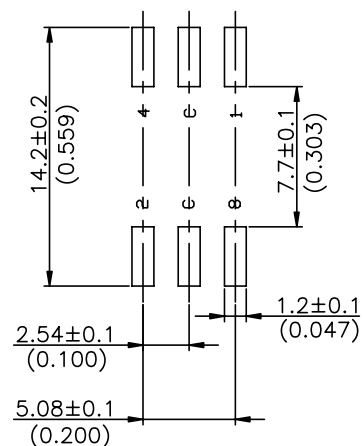
## P.C.B. LAYOUT (TOP VIEW)



ERD1XXXM Flat Type

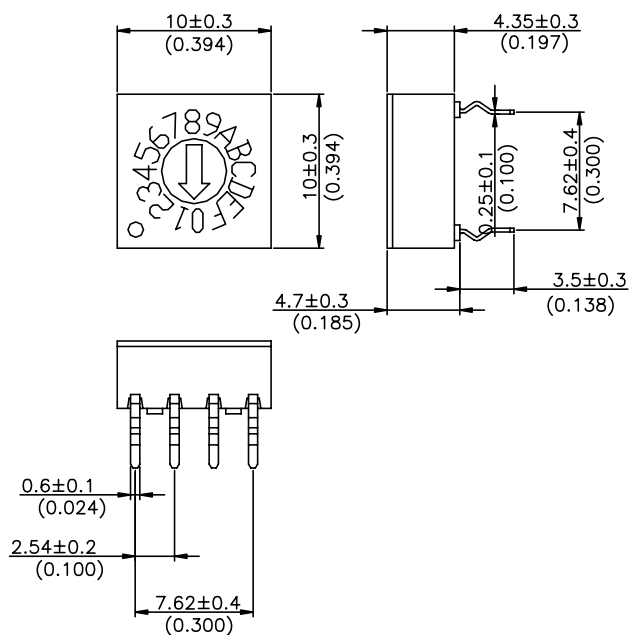


P.C.B. LAYOUT (TOP VIEW)

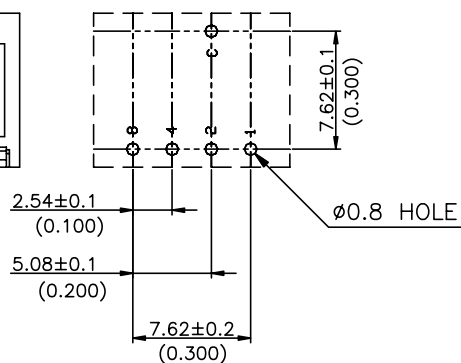


**■ DIMENSIONS AND CIRCUITRY UNIT:mm(inch) PIN OUT 1:4**

ERD4XXXS Flat Type

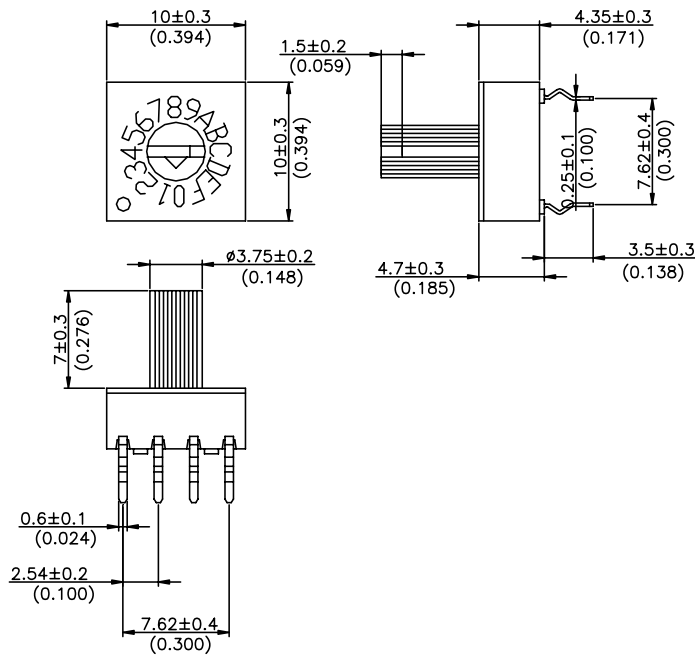


P.C.B. LAYOUT (TOP VIEW)

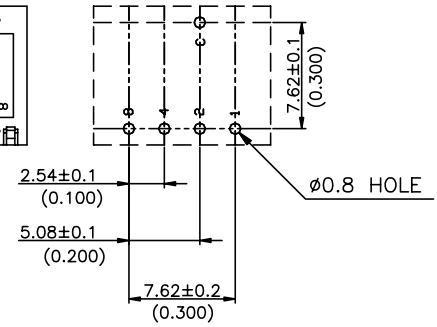




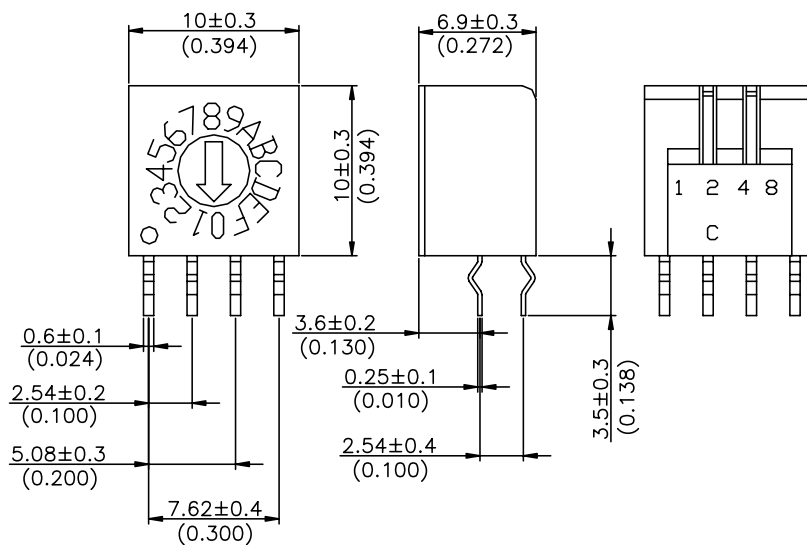
ERD5XXXS Shaft Type



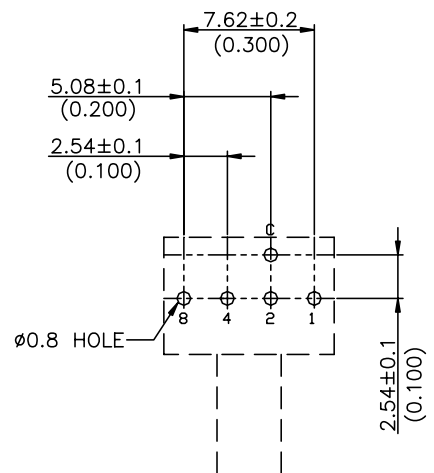
P.C.B. LAYOUT (TOP VIEW)



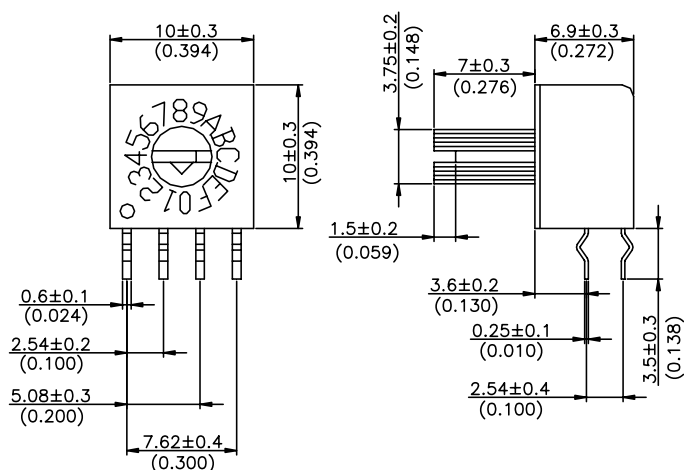
ERD4XXXR Flat Type



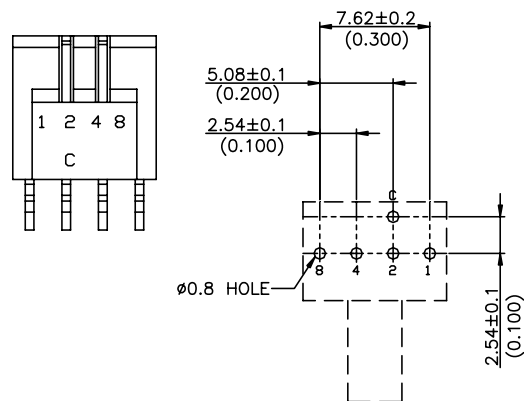
P.C.B. LAYOUT (TOP VIEW)



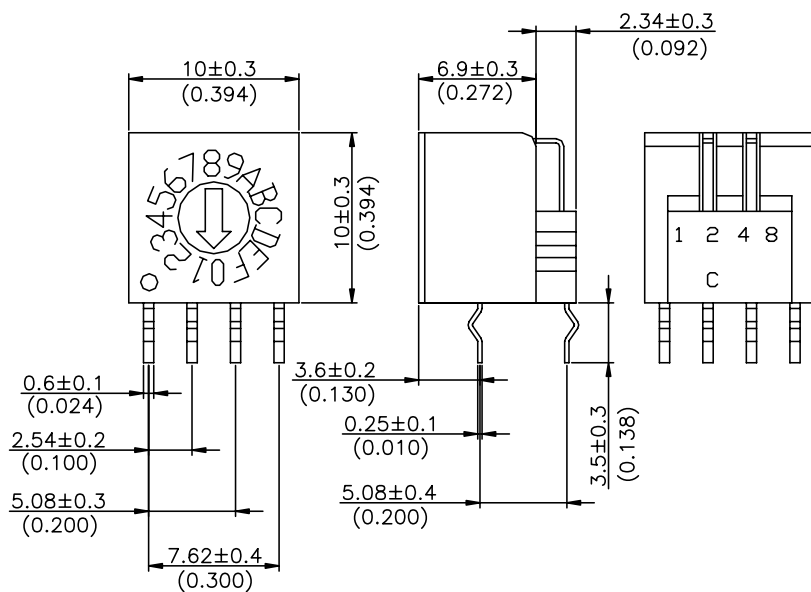
### ERD5XXXR Shaft Type



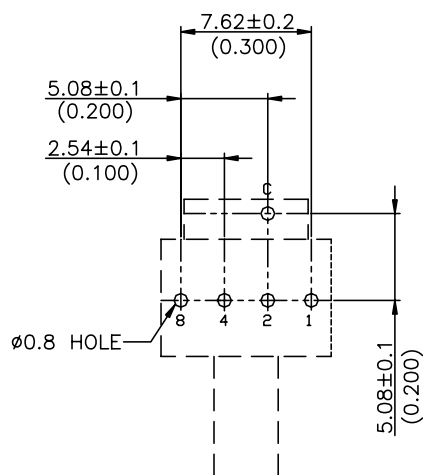
### P.C.B. LAYOUT (TOP VIEW)



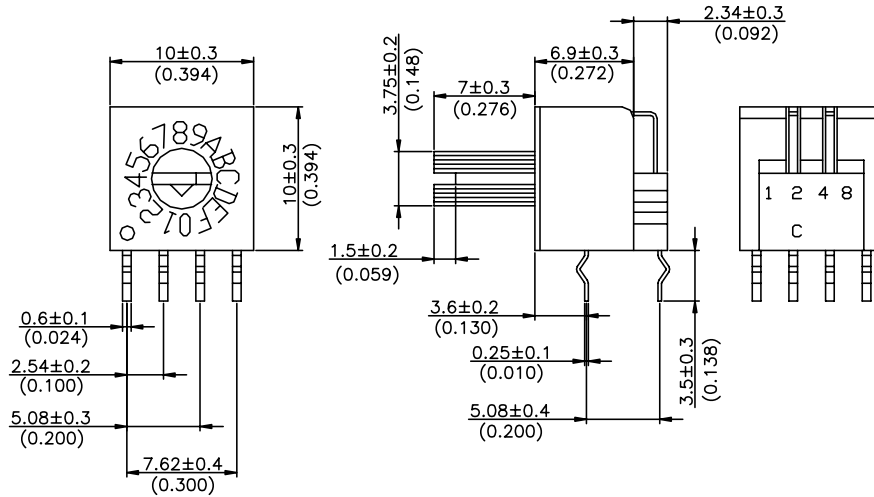
### ERD4XXXF Flat Type



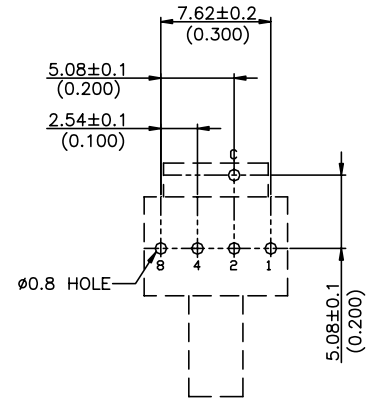
### P.C.B. LAYOUT (TOP VIEW)



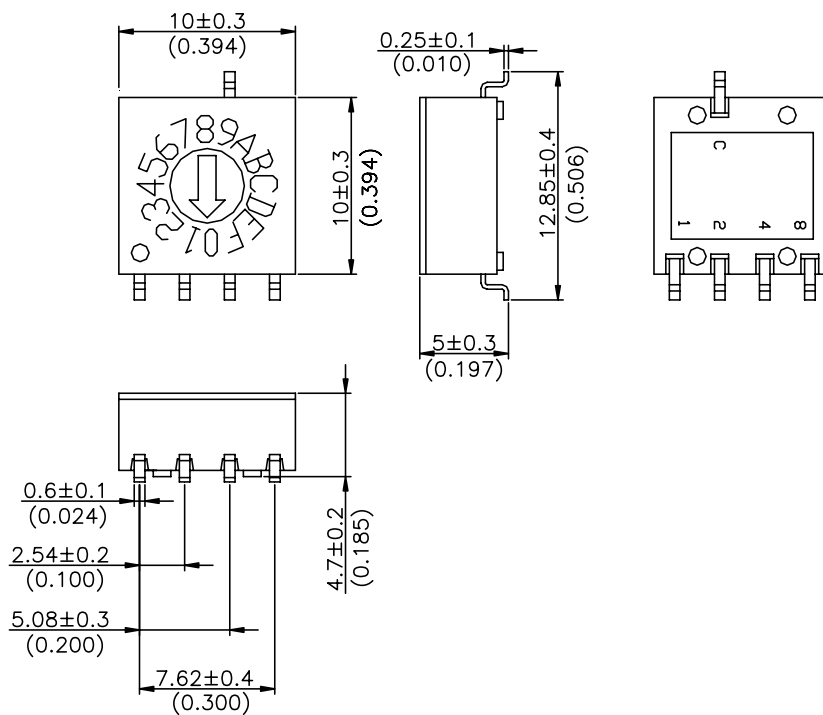
ERD5XXXF Shaft Type



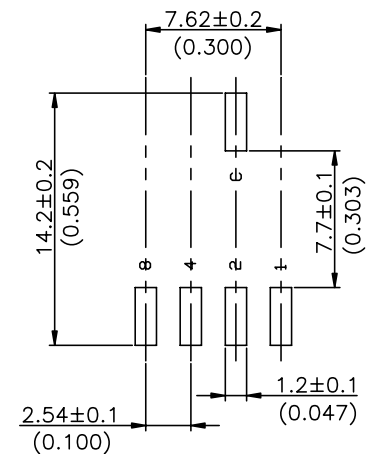
P.C.B. LAYOUT  
(TOP VIEW)



ERD4XXXM Flat Type



P.C.B. LAYOUT  
(TOP VIEW)



## X-ON Electronics

Largest Supplier of Electrical and Electronic Components

*Click to view similar products for [Excel Cell Electronic\(ECE\)](#) manufacturer:*

Other Similar products are found below :

[ETB520111200Z](#) [EDG601S](#) [ESS0523310](#) [ERD516RRZ](#) [ERF-RG11A1600Z](#) [ESD108EZ](#) [HU016-V4](#) [401491X](#) [EPS108AZ](#) [ELK04000](#) [ETB-13-06](#) [ETB-13-08](#) [RB160-30](#) [EV163232](#) [EJF2331000](#) [ERD110RSZ](#) [ELK02800](#) [EDG104S33](#) [EPR412A408000EZ](#) [ERD716AMZ](#) [ELK62800](#) [ESD103EZ](#) [EPR312A608000EZ](#) [EPR311C408000EZ](#) [EPR312A408000EZ](#) [EDS102SZ](#) [ERD110RRZ](#) [EPR411C408000EZ](#) [EPR412A068000EZ](#) [EPR412A358000EZ](#) [ESS0520310](#) [RB900-30](#) [EV163142](#) [ERF-RG14A1600Z](#) [EDG102S33](#) [EJF2231000](#) [ERD716RMZ](#) [ERD416RSZ](#) [EPR411A606000EZ](#) [EPR411A356000EZ](#) [ERD510RSZ](#) [FU10A-16](#) [ERD510RRZ](#) [ESB22A1101](#) [ESD102EZ](#) [ESD108LDZ](#) [EU200-V1](#) [ERD510RFZ](#) [EJF1311000](#) [401509X](#)