

ERD7 SERIES

MINIATURE SIZE \square 7x3 ROTARY SWITCH



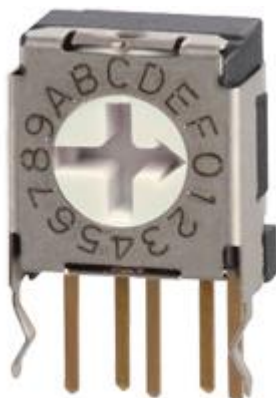
SMT



Through hole reflow (THR)
Through hole (TH)



Right Angle (RA)



Right Angle (RA)
Through hole (TH)



Right Angle (RA)
SMT



J-Hook
SMT

FEATURES

- Low profile of 3.0mm
- THR (Through Hole Reflow) version available
- Available with spindle or slotted spindle
- Supply various switch codes, include Gray code, Reel and Complement code
- Gold plated contact area ensures reliable electric continuity for micro current
- Surface mounting type can be supplied in embossed taping for automatic packing
- Pin-out compatible with most of current equivalents
- All plastics are UL 94V-0 grade fire retardant

APPLICATIONS

- Address switching applications
- Data storage devices
- Computer and peripherals
- Instrumentation



■ SPECIFICATIONS

1.ELECTRICAL

● Contact rating	Max. switching load	100mA, 5VDC
	Min. switching load	10μA, 5VDC
● Contact resistance (initial)		200mΩ Max.
● Insulation resistance		100MΩ Min. at 100VDC
● Dielectric strength		250VAC rms. for 60 seconds

2.MECHANICAL and ENVIRONMENTAL

● Temperature rating	operation	-25°C ~+70°C
	storage	-25°C ~+85°C
● Operation force		510gf-cm Max.
● Operation life		10,000 detents Min.
● Vibration		10Hz-50Hz-10Hz for 6Hrs.
● Solderability		After flux 245°C ±5°C for 5±1 seconds
● Resistance to soldering heat	solder bath	260±5°C for 5±1 seconds
	solder reflow	Peak temperature 260°C Max.

3.SOLDERING PROCESS

● Solder iron	Max. 2 sec/350°C
● Reflow soldering heat for SMT & THR type (reference only)	



CODE

Real / Complement Code

PIN NO.	POSITIONS															
	0	1	2	3	4	5	6	7	8	9	A	B	C	D	E	F
1	○	●	○	●	○	●	○	●	○	●	○	●	○	●	○	●
2	○	○	●	●	○	○	●	●	○	○	●	●	○	○	●	●
4	○	○	○	○	●	●	●	●	○	○	○	○	●	●	●	●
8	○	○	○	○	○	○	○	○	○	●	●	●	●	●	●	●

●.....Real Code

○.....Complement Code

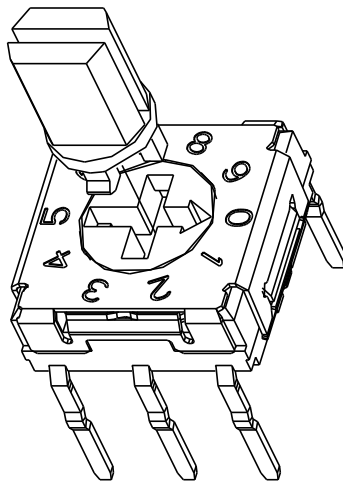
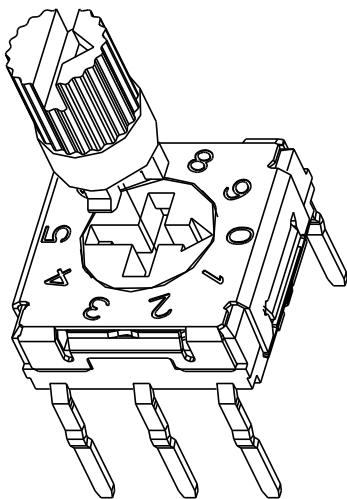
Gray Code

PIN NO.	POSITIONS															
	0	1	2	3	4	5	6	7	8	9	A	B	C	D	E	F
1		●	●			●	●			●	●			●	●	
2			●	●	●	●					●	●	●	●		
4					●	●	●	●	●	●	●	●				
8									●	●	●	●	●	●	●	●

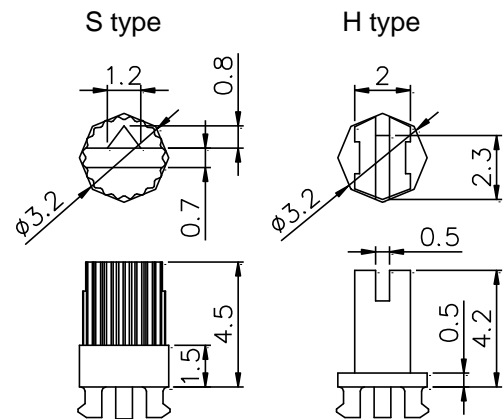
●.....Gray Code

OPTIONS

- 1.Special marking available
- 2.Shaft available (for cross shaped slot type only)



ERD7 Shaft

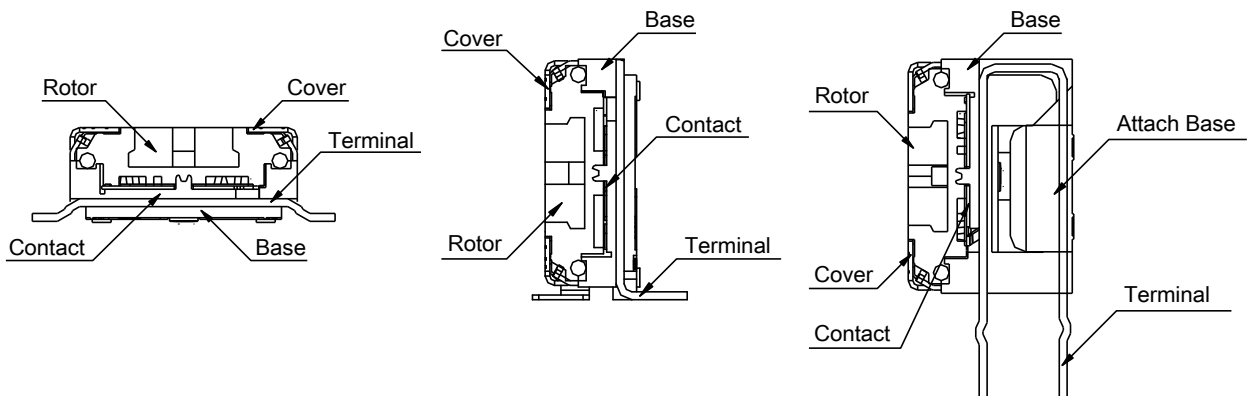


■ PART NUMBERING SYSTEM

ERD7 08 A S XX Z

- Z: RoHS Compliant
- Special number:
 - None: Center Common terminal pins location (3:3 pin out)
 - Center Output "8" terminal pin location (3:2, 5:0 pin out)
 - 06: Side Common terminal pins location (3:3 pin out)
 - Center Output "1" terminal pin location (3:2, 5:0 pin out)
- S: Spindle
- H: Slotted spindle
- Setting:
 - S: Standard type with row spacing 7.62mm
 - F: Right Angle type with row spacing 5.08mm
 - R: Right Angle type with row spacing 2.54mm
 - H: Right Angle type with row spacing 1.27mm
 - M: Surface Mounting type
 - D: "M" type in Tape & Reel Package
 - J: Right Angle with Surface Mounting type and side support terminal
 - T: "J" type in Tape & Reel Package
 - L: Right Angle with Surface Mounting type and forward support terminal
 - U: "L" type in Tape & Reel Package
 - C: J-hook with Surface Mounting type
 - E: "C" type in Tape & Reel Package
- Code:
 - R: Real code / Arrow shaped slot type
 - A: Real code / Cross shaped slot type
 - C: Complement code / Arrow shaped slot type
 - B: Complement code / Cross shaped slot type
 - G: Gray code / Cross shaped slot type
- Positions:
 - 08: 8 Positions, 10: 10 Positions, 16: 16 Positions
- Series name: ERD7: Miniature size (7.2x7.2mm²) Rotary DIP Switch

■ CONSTRUCTION

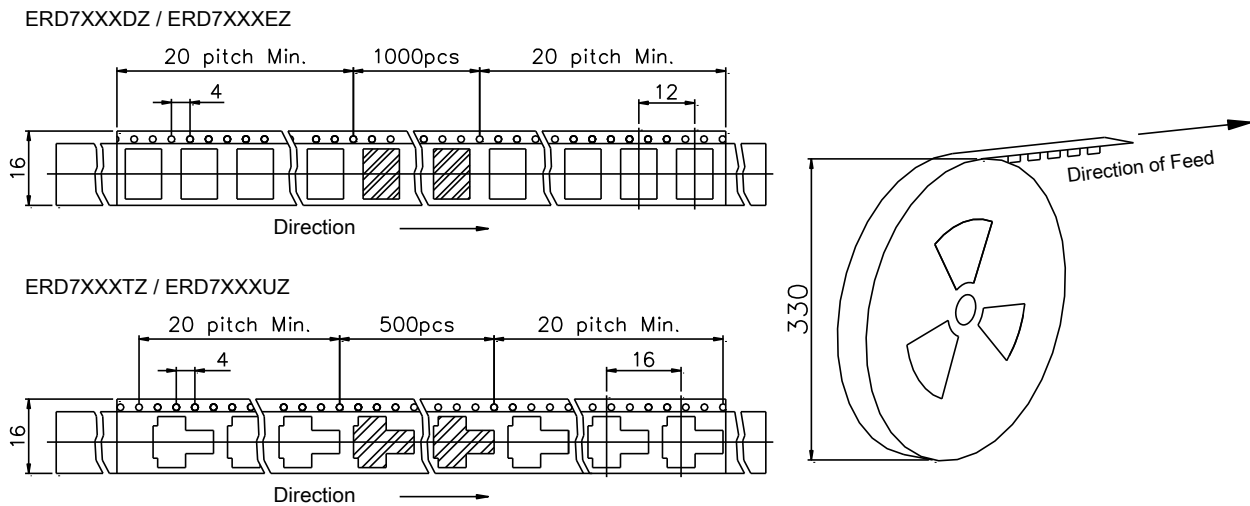




PACKING

1. PACKING METHOD

Type	Package	Number of pcs. Per IC Tube	Number of pcs. Per Reel
Top Adjust Type		70	1000
Side Adjust Type		70	500

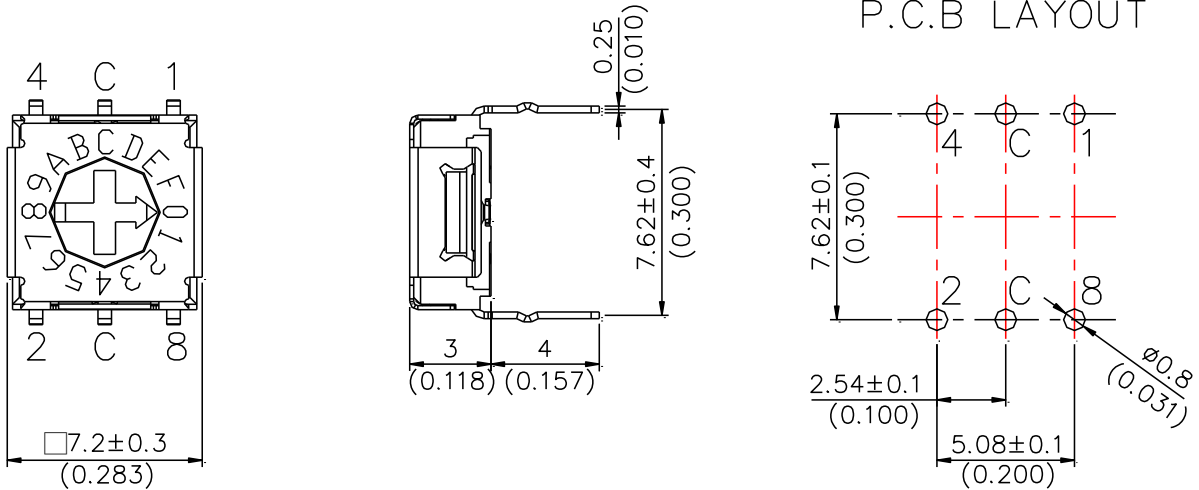


QUICK SELECTION GUIDE

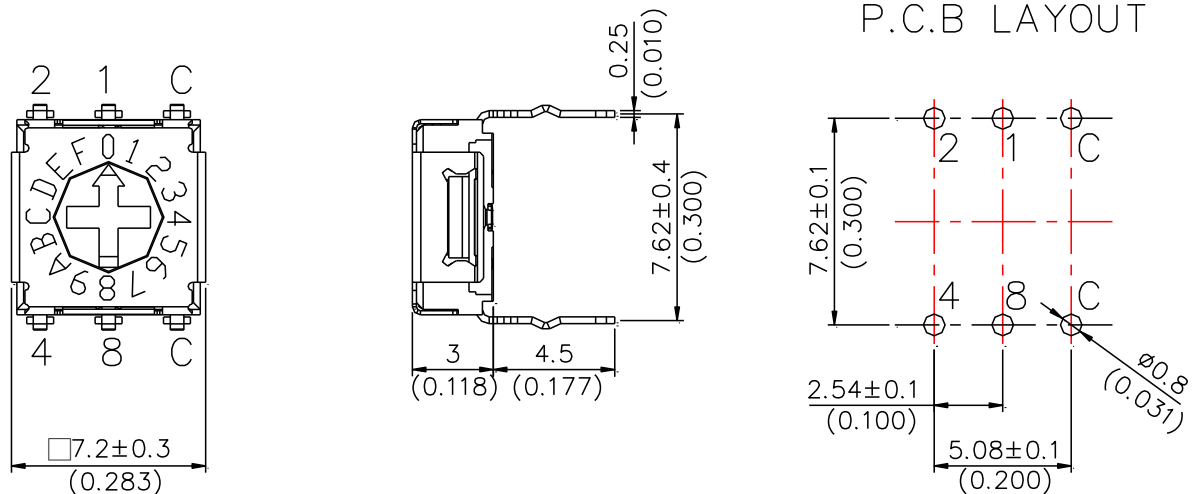
SIZE	POSITIONS	CODE	SETTING POSITION	PIN OUT	SHAPE OF TERMINAL	PART NUMBER
7x7	8,10,16	REAL COMPLEMENT GRAY	TOP SETTING	3:3	STANDARD	ERD7XXXSZ
					SMT	ERD7XXXMZ
					SMT IN T&R	ERD7XXXDZ
					J-HOOK WITH SMT	ERD7XXXCZ
					J-HOOK WITH SMT IN T&R	ERD7XXXEZ
			SIDE SETTING	3:3	RIGHT ANGLE	ERD7XXXRZ ERD7XXXFZ
				3:2	RIGHT ANGLE	ERD7XXXHZ
				5:0	RIGHT ANGLE WITH SMT	ERD7XXXJZ ERD7XXXLZ
					RIGHT ANGLE WITH SMT IN T&R	ERD7XXXTZ ERD7XXXUZ

DIMENSIONS AND CIRCUITRY

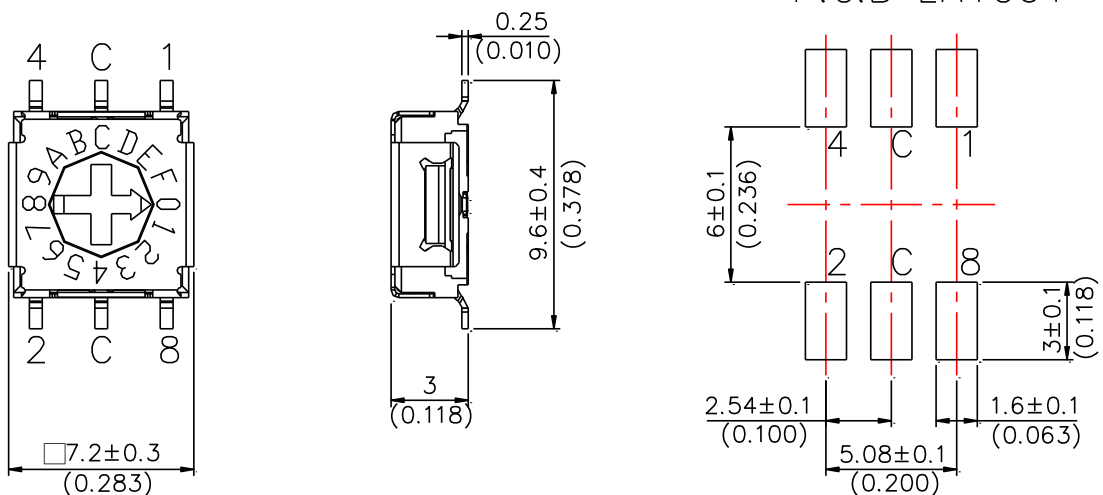
ERD7XXXSZ SERIES



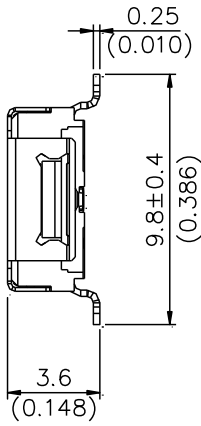
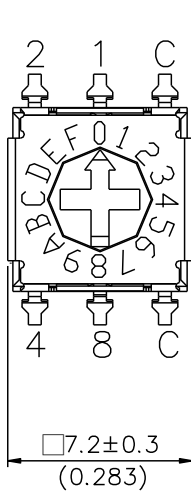
ERD7XXXS06Z SERIES



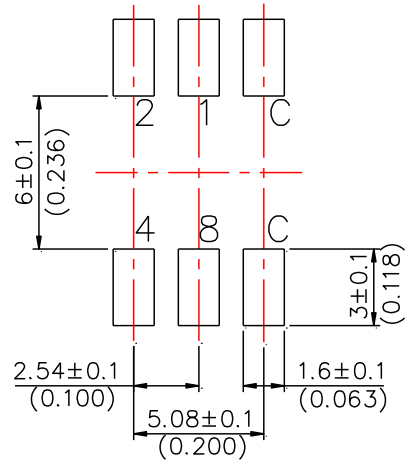
ERD7XXXMZ SERIES



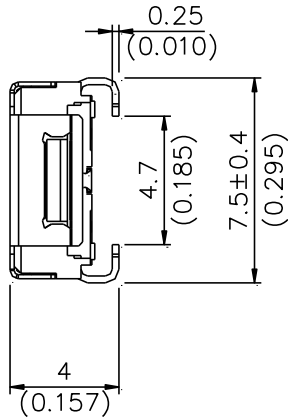
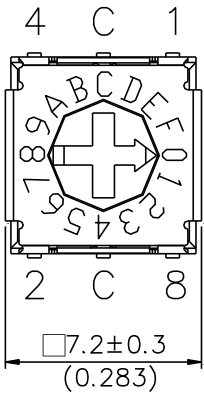
ERD7XXXM06Z SERIES



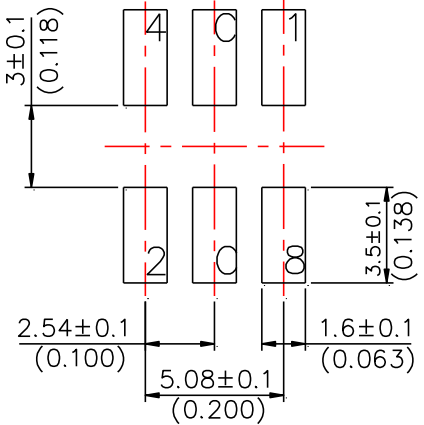
P.C.B LAYOUT



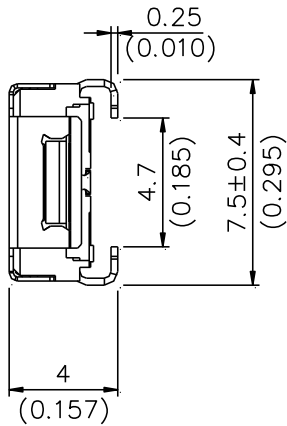
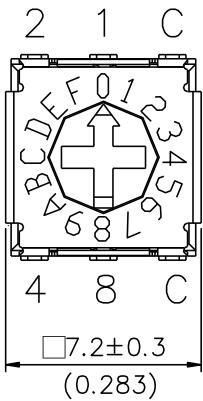
ERD7XXXCZ SERIES



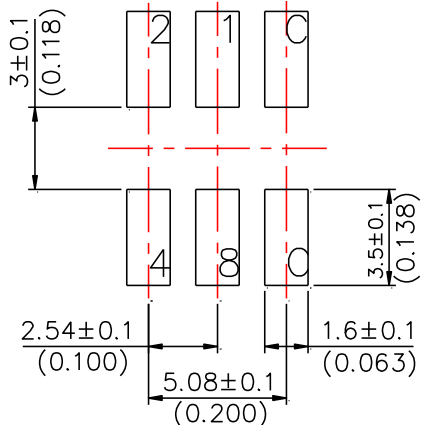
P.C.B LAYOUT



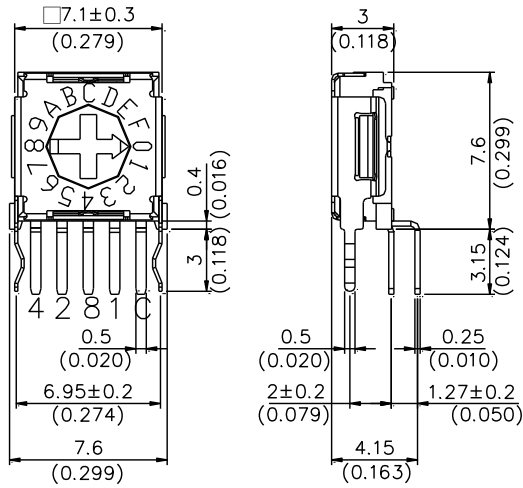
ERD7XXXC06Z SERIES



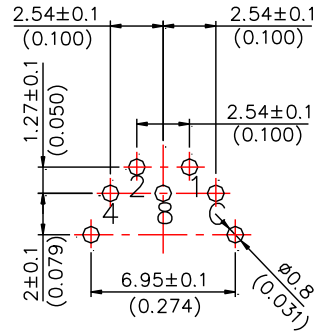
P.C.B LAYOUT



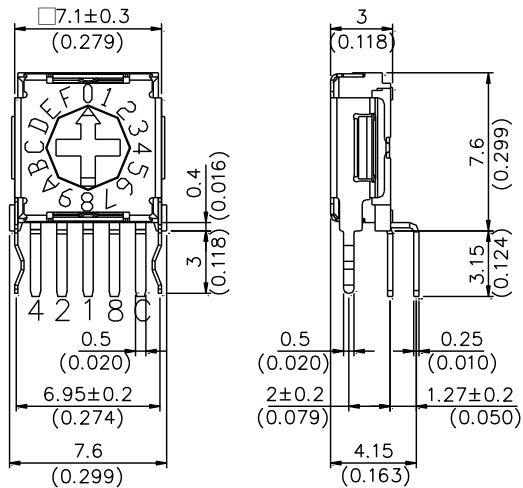
ERD7XXXHZ SERIES



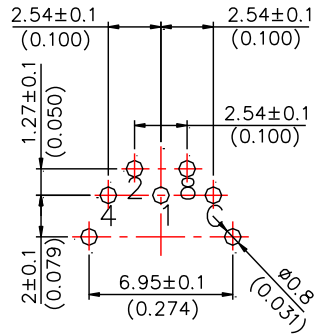
P.C.B LAYOUT



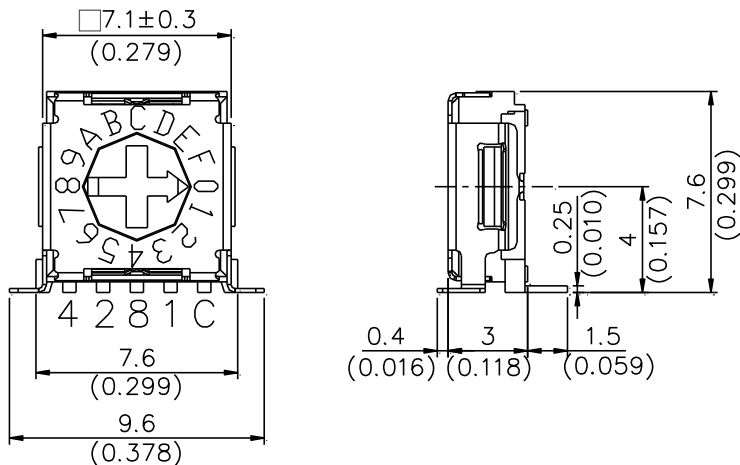
ERD7XXXH06Z SERIES



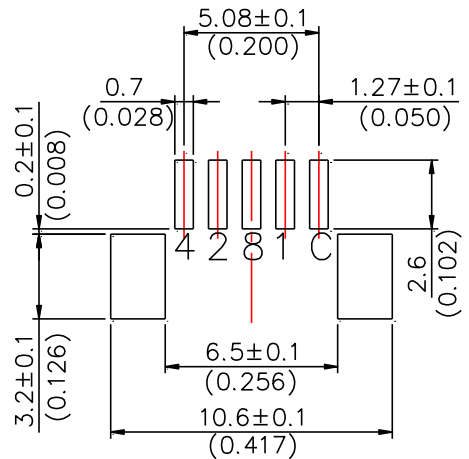
P.C.B LAYOUT



ERD7XXXJZ SERIES

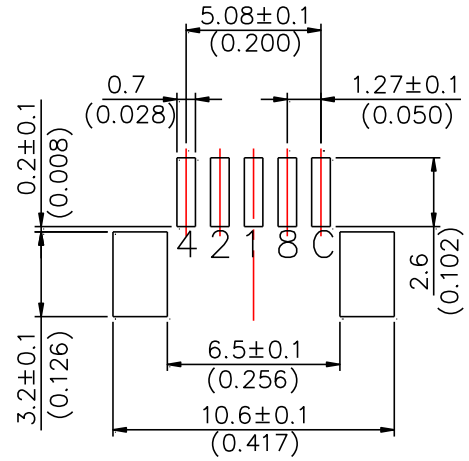
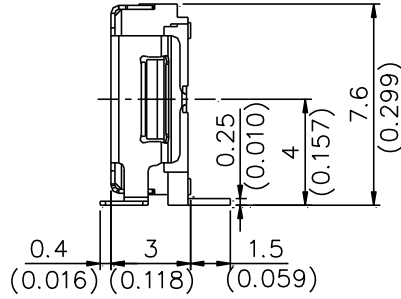
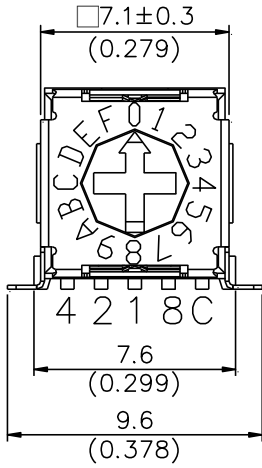


P.C.B LAYOUT



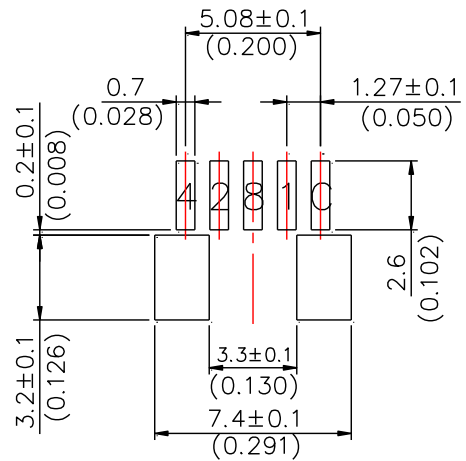
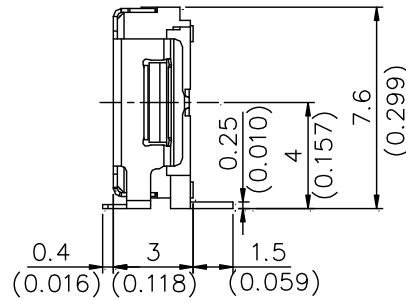
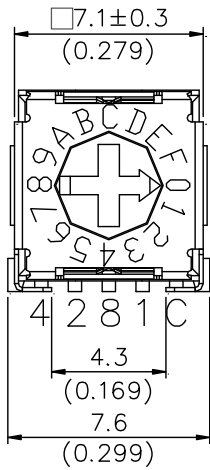
ERD7XXXJ06Z SERIES

P.C.B LAYOUT



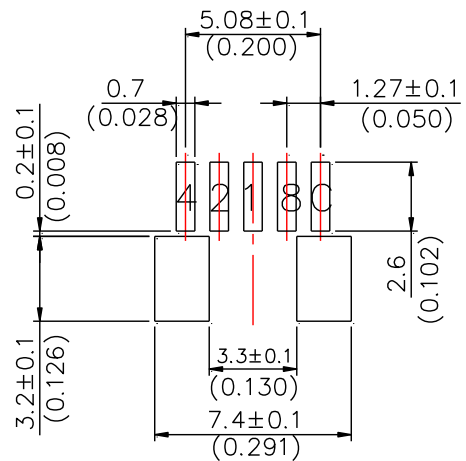
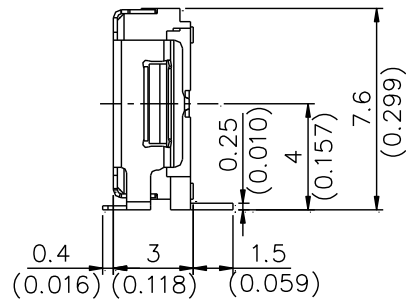
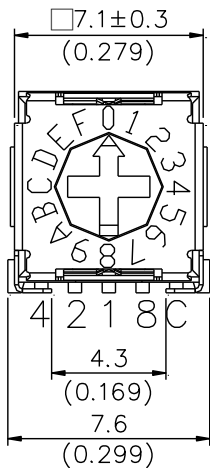
ERD7XXXLZ SERIES

P.C.B LAYOUT

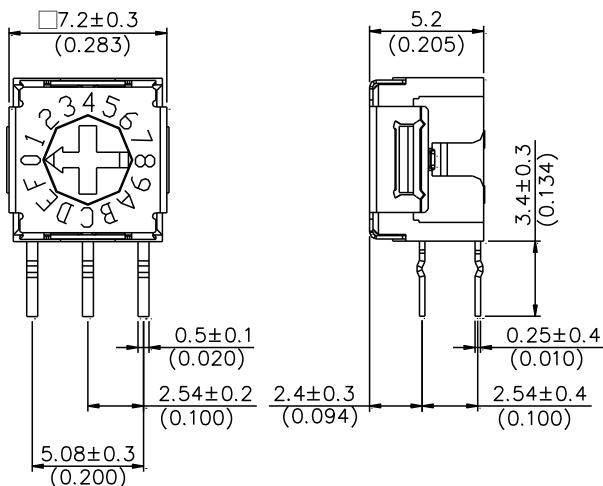


ERD7XXXL06Z SERIES

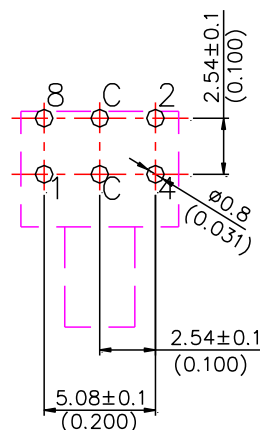
P.C.B LAYOUT



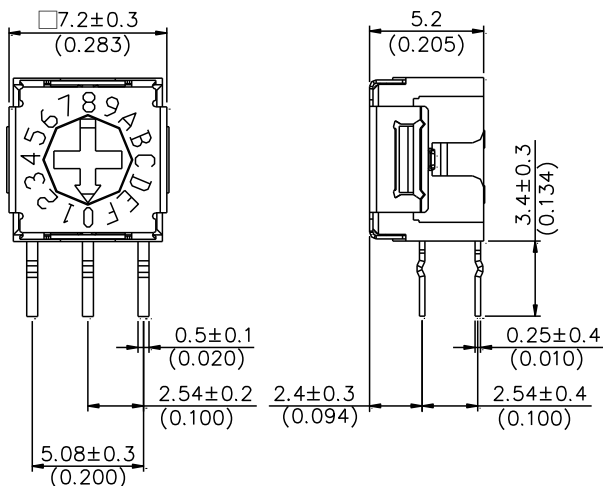
ERD7XXRZ SERIES



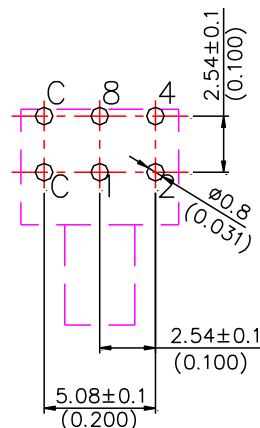
P.C.B LAYOUT



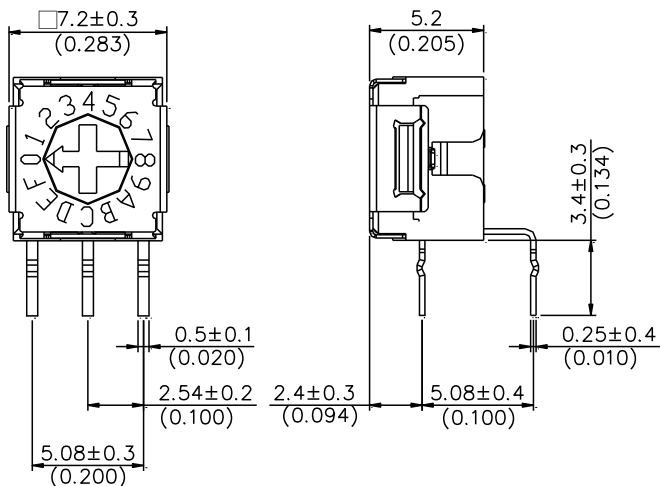
ERD7XXR06Z SERIES



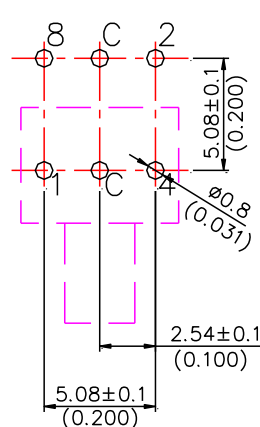
P.C.B LAYOUT



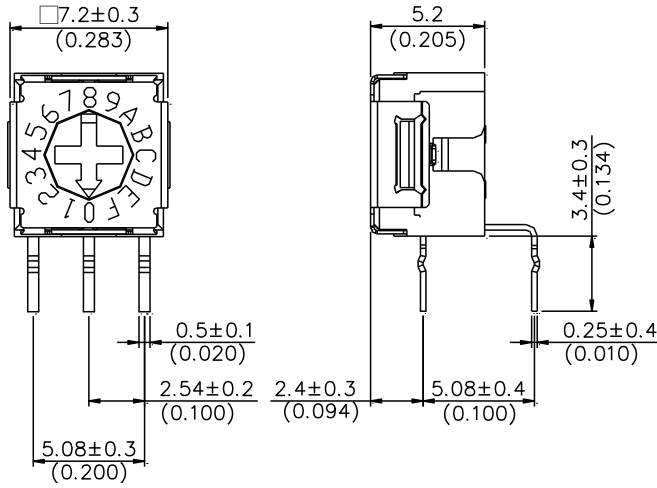
ERD7XXFZ SERIES



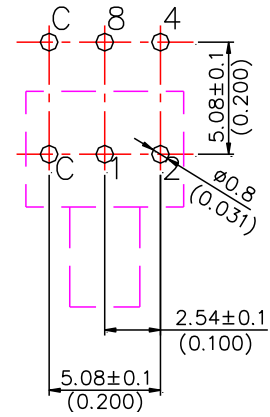
P.C.B LAYOUT



ERD7XXXF06Z SERIES



P.C.B LAYOUT



X-ON Electronics

Largest Supplier of Electrical and Electronic Components

Click to view similar products for [Excel Cell Electronic\(ECE\)](#) manufacturer:

Other Similar products are found below :

[401477F](#) [401491X](#) [401508B](#) [401509X](#) [401524B](#) [BU090](#) [BU135](#) [BU160](#) [BX120](#) [BX155](#) [CA090-90](#) [D55TPR](#) [DS-08](#) [EAM102EZ](#)
[EAM104LTZ](#) [EAM107E-Z](#) [EAM112LZ](#) [EDG102S](#) [EDG102S33](#) [EDG103S](#) [EDG104S](#) [EDG104S33](#) [EDG105S](#) [EDG106S](#) [EDG107S](#)
[EDG108S](#) [EDG110S](#) [EDG601S](#) [EDS102SZ](#) [EDS104SZ](#) [EDS108SZ](#) [EDS-1-12-S](#) [EDS-1-2](#) [EDS-1-3-S](#) [EDS-1-4-S](#) [EDS-1-6-S](#) [EDS-1-7-S](#)
[EDS-1-8-S](#) [EHS104LT](#) [EJF2221000](#) [EJF2231000](#) [EJF2331000](#) [ELK02800](#) [ELK04000](#) [ELK62800](#) [EMP881AF200](#) [EMP881AR200](#)
[EMP881AR201](#) [EPG-1-10-A](#) [EPG-1-4-A](#)