

**Features:**

- Motor: Brushless DC
- Motor Protection: Impedance Protected
- Bearing Type: Two Ball, or Hydro Dynamic
- Connection: UL 1571 AWG 28, 140mm Wire Leads
- Frame Material: Plastic UL94V-0
- Impeller Material: Plastic UL94V-0
- Operating Temp:
  - Two Ball: -10°C~70°C
  - Hydro Dynamic: -10°C~70°C
- Life Expectancy:
  - Two Ball: 70,000 Hours
  - Hydro Dynamic: 50,000 Hours



Fan-S Division

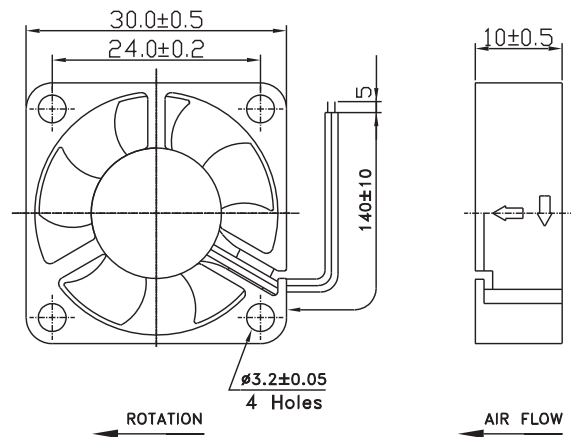
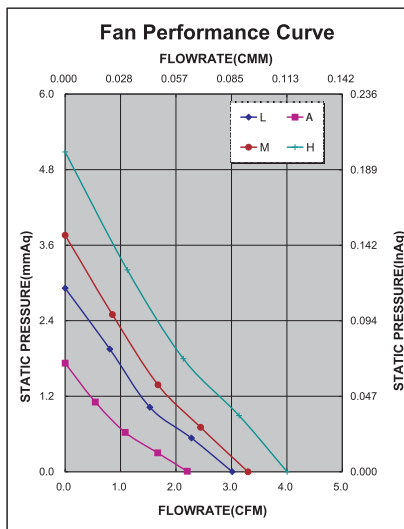


Model No.	Volt.	Current	Power	Rated Speed	Maximum AirFlow		Maximum Static Pressure		Noise Level	Weight
	(VDC)	(A)	(W)	(rpm)	(CMM)	(CFM)	(InAq)	(mmAq)	(dB/A)	(g)
FAD1-03010B * AW11	5	0.045	0.225	6000	0.062	2.200	0.068	1.727	19.0	8.0
FAD1-03010B * LW11	5	0.070	0.350	8000	0.084	3.000	0.115	2.921	26.0	8.0
FAD1-03010B * MW11	5	0.102	0.510	9000	0.093	3.300	0.148	3.759	30.0	8.0
FAD1-03010B * HW11	5	0.095	0.475	10500	0.113	4.000	0.200	5.080	34.0	8.0
FAD1-03010C * AW11	12	0.035	0.420	6000	0.062	2.200	0.068	1.727	19.0	8.0
FAD1-03010C * LW11	12	0.050	0.600	8000	0.084	3.000	0.115	2.921	26.0	8.0
FAD1-03010C * MW11	12	0.045	0.540	9000	0.093	3.300	0.148	3.759	30.0	8.0
FAD1-03010C * HW11	12	0.053	0.636	10500	0.113	4.000	0.200	5.080	34.0	8.0

\* Indicates "B" (Ball Bearing), or "H" (Hydro Dynamic)

Noise is measured at the distance of one (1) meter from the axis of intake.

Note 1: FAD1-03010BBAW11, FAD1-03010BHAW11, FAD1-03010BBMW11, FAD1-03010BHMW11, FAD1-03010BBHW11, FAD1-03010BHHW11, FAD1-03010CBAW11, FAD1-03010CHAW11, FAD1-03010CBMW11, FAD1-03010CHMW11 has UL approvals only



## X-ON Electronics

Largest Supplier of Electrical and Electronic Components

*Click to view similar products for [DC Fans](#) category:*

*Click to view products by [Qualtek](#) manufacturer:*

Other Similar products are found below :

[614R](#) [6424/2HP-210](#) [8312R](#) [DV4118/2NP-183](#) [AFB0948HH-S687](#) [PFB0824DHE-8B72](#) [G2E085-AA05-10](#) [RD20S-4/210660](#) [4318/12T](#)  
[4418HH](#) [AUB0912H-F00](#) [3412N/2ME](#) [K2E225-RA92-09](#) [4184N/2XR](#) [5214N2HH](#) [614J2HHPR-010](#) [8412NGL-12](#) [4114N/12HHR-297](#)  
[4656](#) [ZWR-903](#) [4112N12GL-175](#) [KD2406PKB2.\(2\).GN](#) [AFB1248HHE](#) [AFB1212LE-F00](#) [FAN-SCH-1](#) [MF60151V1-1000U-G99](#)  
[PF80252V1-1000U-G99](#) [PF92252V1-1000U-G99](#) [4112N/2H6P](#) [4114N/17-251](#) [6212NH](#) [622/2N](#) [712F-011](#) [8218J/2NP-181](#) [W1G180-AB47-](#)  
[15](#) [FAA1-12038NBKW31-A](#) [6318N/2TDP](#) [6318N/2H3PU](#) [6318HU](#) [424JMU](#) [PMD1206PTVX-A.U.GN](#) [PF80251B2-000U-F99](#)  
[EF40101BX-1000U-G99](#) [AD1224LB-A71GL](#) [9GA0924L4021](#) [9GA0924M4021](#) [9GA0924M4011](#) [9GA0824B20011](#) [9GA0812A2D0011](#)  
[9GA0912M4D011](#) [9GA0924W4D01](#)