



Features:

- Motor: Brushless DC
- Motor Protection: IC
- Bearing Type: Two Ball, Sleeve, or Hydro Dynamic
- Connection: UL 1007 AWG 24, 320mm Wire Leads
- Frame Material: Plastic UL94V-0
- Impeller Material: Plastic UL94V-0
- Operating Temp:
 - Two Ball: -10°C~70°C
 - Sleeve: -10°C~60°C
 - Hydro Dynamic: -10°C~70°C
- Life Expectancy:
 - Two Ball: 70,000 Hours
 - Sleeve: 30,000 Hours
 - Hydro Dynamic: 50,000 Hours



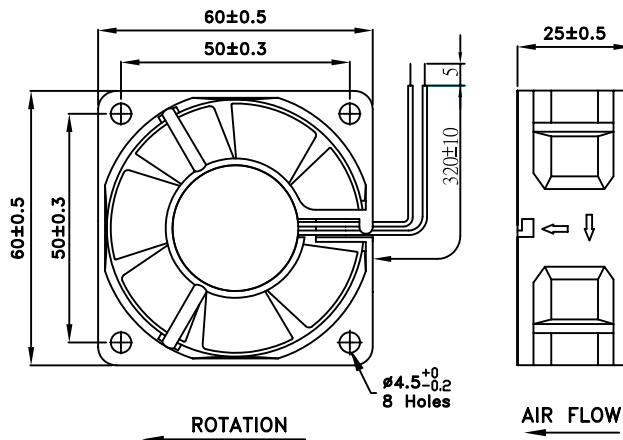
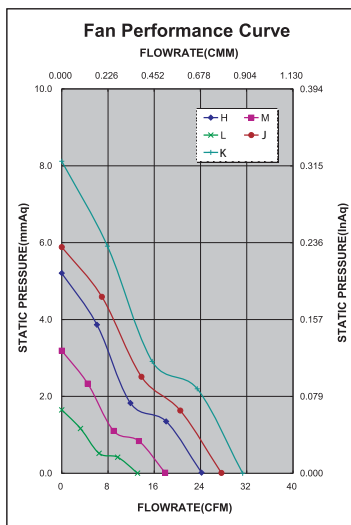
Fan-S Division



Model No.	Volt.	Current	Power	Rated Speed	Maximum AirFlow		Maximum Static Pressure		Noise Level	Weight
	(VDC)	(A)	(W)	(rpm)	(CMM)	(CFM)	(InAq)	(mmAq)	(dB/A)	(g)
FAD1-06025B * LW12	5	0.08	0.40	2500	0.373	13.200	0.063	1.600	18.1	53.0
FAD1-06025B * MW12	5	0.17	0.85	3500	0.506	17.880	0.125	3.175	27.9	53.0
FAD1-06025B * HW12	5	0.35	1.75	4500	0.688	24.330	0.207	5.257	36.3	53.0
FAD1-06025C * LW12	12	0.04	0.48	2500	0.373	13.200	0.063	1.600	18.1	53.0
FAD1-06025C * MW12	12	0.08	0.96	3500	0.506	17.880	0.125	3.175	27.9	53.0
FAD1-06025C * HW12	12	0.13	1.56	4500	0.688	24.330	0.207	5.257	36.3	53.0
FAD1-06025C * JW12	12	0.21	2.52	5000	0.789	27.880	0.242	6.146	37.6	53.0
FAD1-06025CBKW12	12	0.30	3.60	6100	0.888	31.400	0.320	8.128	42.9	53.0
FAD1-06025D * LW12	24	0.07	1.68	2500	0.373	13.200	0.063	1.600	18.1	53.0
FAD1-06025D * MW12	24	0.06	1.44	3500	0.506	17.880	0.125	3.175	27.9	53.0
FAD1-06025D * HW12	24	0.08	2.88	4500	0.688	24.330	0.207	5.257	36.3	53.0
FAD1-06025D * JW12	24	0.10	2.40	5000	0.789	27.880	0.242	6.146	37.6	53.0

* Indicates "B" (Ball Bearing), "S" (Sleeve), or "H" (Hydro Dynamic)

Noise is measured at the distance of one (1) meter from the axis of intake.



X-ON Electronics

Largest Supplier of Electrical and Electronic Components

Click to view similar products for [DC Fans](#) category:

Click to view products by [Qualtek](#) manufacturer:

Other Similar products are found below :

[614R](#) [6424/2HP-210](#) [8312R](#) [DV4118/2NP-183](#) [AFB0948HH-S687](#) [PFB0824DHE-8B72](#) [G2E085-AA05-10](#) [RD20S-4/210660](#) [4318/12T](#)
[4418HH](#) [AUB0912H-F00](#) [3412N/2ME](#) [K2E225-RA92-09](#) [4184N/2XR](#) [5214N2HH](#) [614J2HHPR-010](#) [8412NGL-12](#) [4114N/12HHR-297](#)
[4656](#) [ZWR-903](#) [4112N12GL-175](#) [KD2406PKB2.\(2\).GN](#) [AFB1248HHE](#) [AFB1212LE-F00](#) [FAN-SCH-1](#) [MF60151V1-1000U-G99](#)
[PF80252V1-1000U-G99](#) [PF92252V1-1000U-G99](#) [4112N/2H6P](#) [4114N/17-251](#) [6212NH](#) [622/2N](#) [712F-011](#) [8218J/2NP-181](#) [W1G180-AB47-](#)
[15](#) [FAA1-12038NBKW31-A](#) [6318N/2TDP](#) [6318N/2H3PU](#) [6318HU](#) [424JMU](#) [PMD1206PTVX-A.U.GN](#) [PF80251B2-000U-F99](#)
[EF40101BX-1000U-G99](#) [AD1224LB-A71GL](#) [9GA0924L4021](#) [9GA0924M4021](#) [9GA0924M4011](#) [9GA0824B20011](#) [9GA0812A2D0011](#)
[9GA0912M4D011](#) [9GA0924W4D01](#)