

**Features:**

- Motor: Brushless DC
- Motor Protection: IC
- Bearing Type: Two Ball, Sleeve, or Hydro Dynamic
- Connection: UL 1007 AWG 24, 280mm Wire Leads
- Frame Material: Plastic UL94V-0
- Impeller Material: Plastic UL94V-0
- Operating Temp:
  - Two Ball: -10°C~70°C
  - Sleeve: -10°C~60°C
  - Hydro Dynamic: -10°C~70°C
- Life Expectancy:
  - Two Ball: 70,000 Hours
  - Sleeve: 30,000 Hours
  - Hydro Dynamic: 50,000 Hours



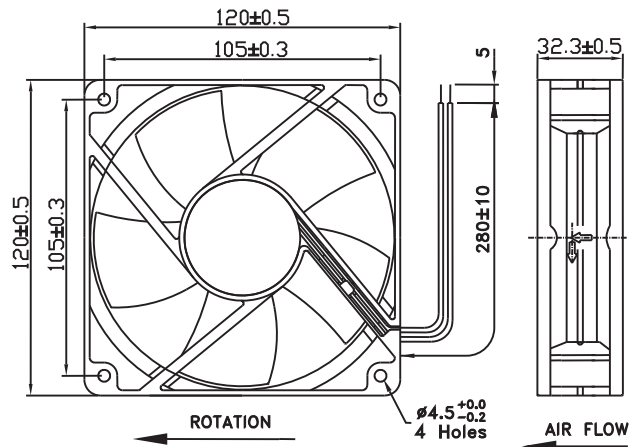
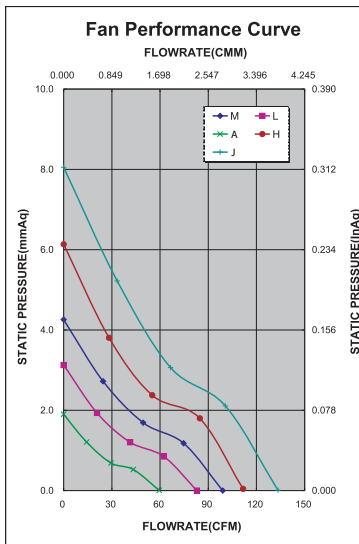
**Fan-S Division**



Model No.	Volt.	Current	Power	Rated Speed	Maximum AirFlow		Maximum Static Pressure		Noise Level	Weight
	(VDC)	(A)	(W)	(rpm)	(CMM)	(CFM)	(InAq)	(mmAq)	(dB/A)	(g)
FAD1-12032C * AW12	12	0.08	0.96	1450	1.682	59.461	0.075	1.905	26.9	213.0
FAD1-12032C * LW12	12	0.19	2.28	2000	2.348	82.891	0.123	3.124	36.2	213.0
FAD1-12032C * MW12	12	0.26	3.12	2400	2.803	99.069	0.167	4.241	41.1	213.0
FAD1-12032C * HW12	12	0.32	3.84	2750	3.161	111.710	0.241	6.121	43.3	213.0
FAD1-12032C * JW12	12	0.51	6.12	3200	3.776	133.440	0.317	8.051	48.4	213.0
FAD1-12032D * AW12	24	0.05	1.20	1450	1.682	59.461	0.075	1.905	26.9	213.0
FAD1-12032D * LW12	24	0.10	2.40	2000	2.348	82.981	0.123	3.124	36.2	213.0
FAD1-12032D * MW12	24	0.16	3.84	2400	2.803	99.069	0.167	4.241	41.1	213.0
FAD1-12032D * HW12	24	0.21	5.04	2750	3.161	111.710	0.241	6.121	43.3	213.0
FAD1-12032D * JW12	24	0.32	7.68	3200	3.776	133.440	0.317	8.051	48.4	213.0
FAD1-12032E * HW12	48	0.11	5.28	2750	3.161	111.710	0.241	6.121	43.3	213.0
FAD1-12032E * JW12	48	0.15	7.20	3200	3.776	133.440	0.317	8.051	48.4	213.0

\* Indicates "B" (Ball Bearing), "S" (Sleeve), or "H" (Hydro Dynamic)

Noise is measured at the distance of one (1) meter from the axis of intake.



## X-ON Electronics

Largest Supplier of Electrical and Electronic Components

*Click to view similar products for [DC Fans](#) category:*

*Click to view products by [Qualtek](#) manufacturer:*

Other Similar products are found below :

[614R](#) [6424/2HP-210](#) [8312R](#) [DV4118/2NP-183](#) [AFB0948HH-S687](#) [PFB0824DHE-8B72](#) [G2E085-AA05-10](#) [RD20S-4/210660](#) [4318/12T](#)  
[4418HH](#) [AUB0912H-F00](#) [3412N/2ME](#) [K2E225-RA92-09](#) [4184N/2XR](#) [5214N2HH](#) [614J2HHPR-010](#) [8412NGL-12](#) [4114N/12HHR-297](#)  
[4656](#) [ZWR-903](#) [4112N12GL-175](#) [KD2406PKB2.\(2\).GN](#) [AFB1248HHE](#) [AFB1212LE-F00](#) [FAN-SCH-1](#) [MF60151V1-1000U-G99](#)  
[PF80252V1-1000U-G99](#) [PF92252V1-1000U-G99](#) [4112N/2H6P](#) [4114N/17-251](#) [6212NH](#) [622/2N](#) [712F-011](#) [8218J/2NP-181](#) [W1G180-AB47-](#)  
[15](#) [FAA1-12038NBKW31-A](#) [6318N/2TDP](#) [6318N/2H3PU](#) [6318HU](#) [424JMU](#) [PMD1206PTVX-A.U.GN](#) [PF80251B2-000U-F99](#)  
[EF40101BX-1000U-G99](#) [AD1224LB-A71GL](#) [9GA0924L4021](#) [9GA0924M4021](#) [9GA0924M4011](#) [9GA0824B20011](#) [9GA0812A2D0011](#)  
[9GA0912M4D011](#) [9GA0924W4D01](#)