



Features:

- Motor: Brushless DC
- Motor Protection: IC
- Bearing Type: Two Ball, Sleeve, or Hydro Dynamic
- Connection: UL 1007 AWG 24, 280mm Wire Leads
- Frame Material: Plastic UL94V-0, or Aluminum
- Impeller Material: Plastic UL94V-0
- Operating Temp:
 - Two Ball: -10°C~70°C
 - Sleeve: -10°C~60°C
 - Hydro Dynamic: -10°C~70°C
- Life Expectancy:
 - Two Ball: 70,000 Hours
 - Sleeve: 30,000 Hours
 - Hydro Dynamic: 50,000 Hours



Fan-S Division

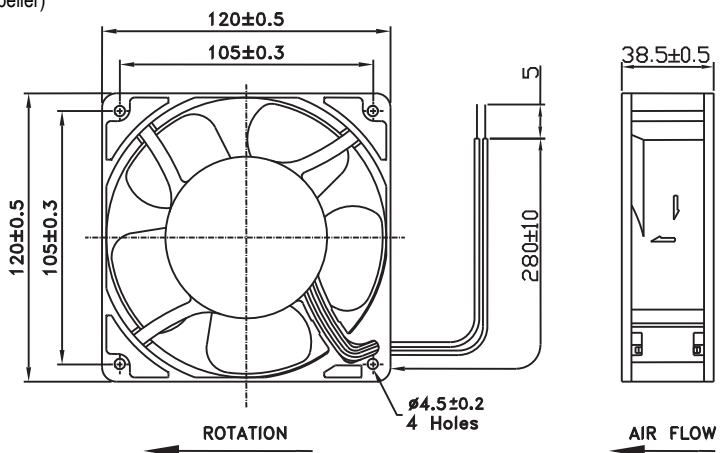
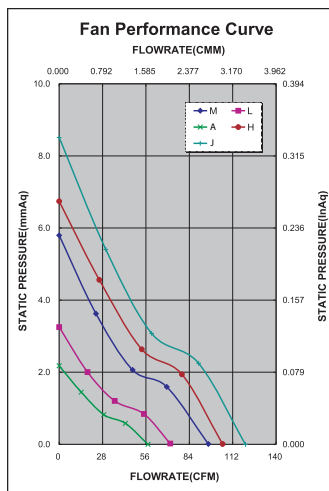


Model No.	Volt.	Current	Power	Rated Speed	Maximum AirFlow		Maximum Static Pressure		Noise Level	Weight
	(VDC)	(A)	(W)	(rpm)	(CMM)	(CFM)	(InAq)	(mmAq)	(dB/A)	(g)
FAD1-12038C * AW **2	12	0.12	1.44	1500	1.621	57.292	0.085	2.159	28.4	235/297
FAD1-12038C * LW **2	12	0.22	2.64	1950	2.027	71.635	0.128	3.251	36.2	235/297
FAD1-12038C * MW**2	12	0.34	4.08	2540	2.725	96.300	0.228	5.791	45.0	235/297
FAD1-12038C * HW**2	12	0.39	4.68	2800	2.984	105.461	0.265	6.731	46.7	235/297
FAD1-12038C * JW **2	12	0.62	7.44	3200	3.399	120.109	0.335	8.509	48.0	235/297
FAD1-12038D * AW **2	24	0.07	1.68	1500	1.621	57.292	0.085	2.159	28.4	235/297
FAD1-12038D * LW **2	24	0.10	2.40	1950	2.027	71.635	0.128	3.251	36.2	235/297
FAD1-12038D * MW**2	24	0.20	4.80	2540	2.725	96.300	0.228	5.791	45.0	235/297
FAD1-12038D * HW**2	24	0.26	6.24	2800	2.984	105.461	0.265	6.731	46.7	235/297
FAD1-12038D * JW **2	24	0.38	9.12	3200	3.399	120.109	0.335	8.509	48.0	235/297
FAD1-12038E * LW **2	48	0.09	4.32	1950	2.027	71.635	0.128	3.251	36.2	235/297
FAD1-12038E * MW**2	48	0.13	6.24	2540	2.725	96.300	0.228	5.791	45.0	235/297
FAD1-12038E * HW**2	48	0.18	8.64	2800	2.984	105.461	0.265	6.731	46.7	235/297
FAD1-12038E * JW **2	48	0.22	10.56	3200	3.399	120.109	0.335	8.509	48.0	235/297

* Indicates "B" (Ball Bearing), "S" (Sleeve), or "H" (Hydro Dynamic)

Noise is measured at the distance of one (1) meter from the axis of intake.

** Indicates "1" (Plastic Frame and Plastic Impeller) or "3" (Aluminum Frame and Plastic Impeller)



X-ON Electronics

Largest Supplier of Electrical and Electronic Components

Click to view similar products for [DC Fans](#) category:

Click to view products by [Qualtek](#) manufacturer:

Other Similar products are found below :

[614R](#) [6424/2HP-210](#) [8312R](#) [DV4118/2NP-183](#) [AFB0948HH-S687](#) [PFB0824DHE-8B72](#) [G2E085-AA05-10](#) [RD20S-4/210660](#) [4318/12T](#)
[4418HH](#) [AUB0912H-F00](#) [3412N/2ME](#) [K2E225-RA92-09](#) [4184N/2XR](#) [5214N2HH](#) [614J2HHPR-010](#) [8412NGL-12](#) [4114N/12HHR-297](#)
[4656](#) [ZWR-903](#) [4112N12GL-175](#) [KD2406PKB2.\(2\).GN](#) [AFB1248HHE](#) [AFB1212LE-F00](#) [FAN-SCH-1](#) [MF60151V1-1000U-G99](#)
[PF80252V1-1000U-G99](#) [PF92252V1-1000U-G99](#) [4112N/2H6P](#) [4114N/17-251](#) [6212NH](#) [622/2N](#) [712F-011](#) [8218J/2NP-181](#) [W1G180-AB47-](#)
[15](#) [FAA1-12038NBKW31-A](#) [6318N/2TDP](#) [6318N/2H3PU](#) [6318HU](#) [424JMU](#) [PMD1206PTVX-A.U.GN](#) [PF80251B2-000U-F99](#)
[EF40101BX-1000U-G99](#) [AD1224LB-A71GL](#) [9GA0924L4021](#) [9GA0924M4021](#) [9GA0924M4011](#) [9GA0824B20011](#) [9GA0812A2D0011](#)
[9GA0912M4D011](#) [9GA0924W4D01](#)