

■ Features

- 2.5 x 2.0 x 0.6 MAX. mm of surface mounted quartz crystal units.
- Excellent reliability characteristics such as heat and mechanical shock.
- Pb-free and satisfy RoHs requirements.
- Reflow soldering is available.

■ Applications

Digital Electronics, Consumer Products, Mobile Communications, Bluetooth, Wireless LAN and Automotive

■ Specifications

Frequency range	12~96 MHz
Overtone Order	Fundamental
Frequency tolerance at 25°C	±10, ±15, ±20, ±30, ±50 ppm
Operating temperature range and frequency stability	See Table 1
Equivalent series resistance	See Table 2
Shunt capacitance	3 pF Max or specify
Load capacitance	8, 16, 20 pF or specify
Drive level (Max.)	10, 100, 200 μW or specify
Insulation resistance	500MΩ Min. at DC 100V
Aging at 25°C	±3 ppm / year Max
Storage temperature range	-40 ~ +85 °C or -40 ~ +125 °C
Measure instrument	S&A 250B system with PI circuit

■ Table 1: Operating temperature range and frequency stability

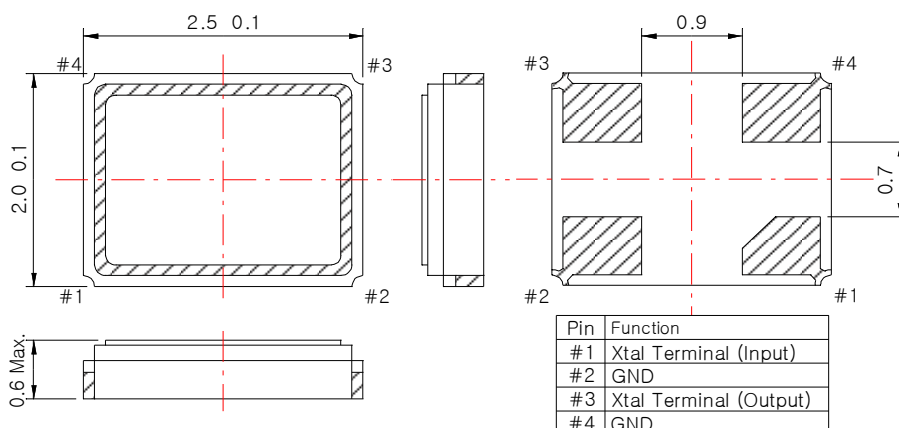
Temp	ppm				
	±5	±10	±15	±20	±50
0~+50 °C	●	●	●	●	●
-10~+60 °C		●	●	●	●
-20~+70 °C		●	●	●	●
-30~+85 °C			●	●	●
-40~+85 °C				●	●
-40~+125 °C					●

■ Table 2: Equivalent series resistance

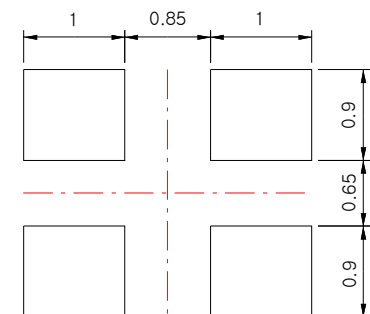
Frequency (MHz)	Overtone Order	ESR (Ω MAX)
12~16	Fundamental	100
16~20	Fundamental	80
20~30	Fundamental	60
30~54	Fundamental	50
60~100	Fundamental	30

The mark “●” denotes our achieved level

■ Dimensions (unit: mm)



■ Land pattern (unit: mm)



X-ON Electronics

Largest Supplier of Electrical and Electronic Components

Click to view similar products for [Crystals category](#):

Click to view products by [Failong Crystal manufacturer](#):

Other Similar products are found below :

[CS325S24000000ABJT](#) [718-13.2-1](#) [MC405 32.0000K-R3:PURE SN](#) [FC-135R 32.7680KF-A3](#) [7A-40.000MAAE-T](#) [7B-27.000MBBK-T](#)
[FL2000085](#) [9B-15.360MBBK-B](#) [9C-7.680MBBK-T](#) [ASH7K-32.768KHZ](#) [AT-41.600MAGQ-T](#) [BTD1062E05A-513](#) [LFX TAL066198Cutt](#)
[9C-14.31818MBBK-T](#) [FA-238 50.0000MB30X-K3](#) [FC-12M 32.7680KA-AC3](#) [SSPT7F-9PF20-R](#) [FX325BS-38.88EEM1201](#)
[LFX TAL065253Cutt](#) [LFX TAL066431Cutt](#) [XT9S20ANA14M7456](#) [XT9SNLANA16M](#) [646G-24-2](#) [7A-24.576MBBK-T](#) [7B-30.000MBBK-T](#)
[WX26-32.768K-6PF](#) [9B-14.31818MBBK-B](#) [CD1AM](#) [7B-25.000MAAE-T](#) [7A-14.31818MBBK-T](#) [6504-202-1501](#) [6526-202-1501](#) [FA-118T](#)
[27.1200MB50P-K0](#) [FC-135R 32.7680KA-A3](#) [ABM12-104-37.400MHZT](#) [ABLS-10.000MHZ-D3W-T](#) [BTJ112E01E-513](#) [BTJ722K01C-7067](#)
[BTL-20-513](#) [TSX-3225 24.0000MF15X-AC](#) [TSX-3225 16.0000MF18X-AC](#) [BTJ120E02C](#) [BTL-12-513](#) [7A-10.000MBBK-T](#) [7A-](#)
[11.0592MBBK-T](#) [ABM12-103-24.000MHZT](#) [CS325S25000000ABJT](#) [ABM3B-25.000MHZ-B2-X-T](#) [FC-135 32.7680KA-A5](#) [FX0800015](#)