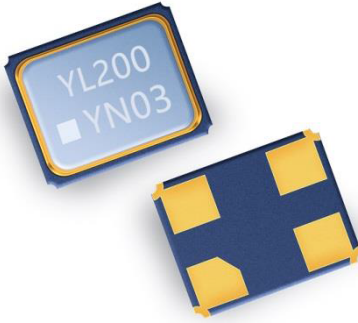


2Z Series



■ Features

- 2.5 x 2.0 x 1.0 MAX. mm of surface mounted quartz crystal units with thermistor.
- Excellent reliability characteristics such as heat and mechanical shock.
- Pb-free and satisfy RoHs requirements.
- Reflow soldering is available.

■ Applications

Mobile Communications

■ Specifications

| | | |
|---|---------------------------------|----------------------|
| Frequency range | 19.2/76.8 MHz | 26 MHz |
| Overtone Order | Fundamental | Fundamental |
| Frequency tolerance at 25°C | ±10 ppm | ±10 ppm |
| Operating temperature range and frequency stability | See Table 1 | See Table 1 |
| Equivalent series resistance | See Table 2 | See Table 2 |
| Shunt capacitance | 1.8 ~ 3.1 pF | 3 pF Max or specify |
| Load capacitance | 7 pF | 7, 9 pF |
| Drive level | 10 ~ 100 μW | 100, 150 μW MAX. |
| Insulation resistance (at DC 100V) | 500 MΩ Min. | 500 MΩ Min. |
| Thermistor Resistance | 100 kΩ ± 1% | 100 kΩ ± 1% |
| Thermistor B-constant | 4250 kΩ ± 1% | 4250 kΩ ± 1% |
| Aging at 25°C | ±0.7 ppm / year Max. | ±0.7 ppm / year Max. |
| Storage temperature range | -40 ~ +105 °C | -40 ~ +105 °C |
| Measure instrument | S&A 250B system with PI circuit | |

■ Table 1

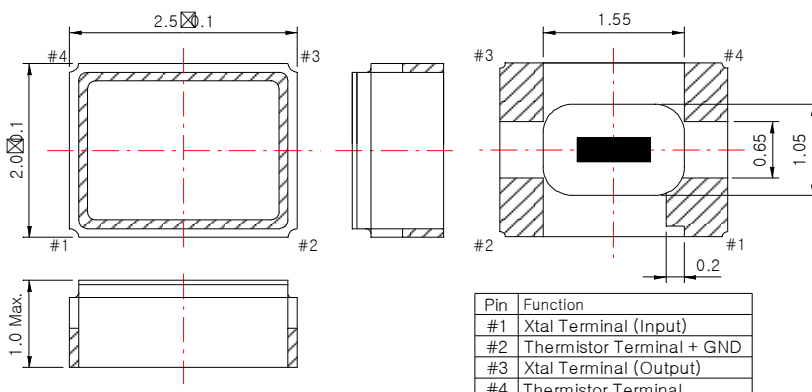
Operating temperature range and frequency stability

| Temp \ ppm | ±5 | ±10 | ±12 | ±15 | ±20 |
|--------------|----|-----|-----|-----|-----|
| | | ● | ● | | |
| - 30~+ 85 °C | | | | | |

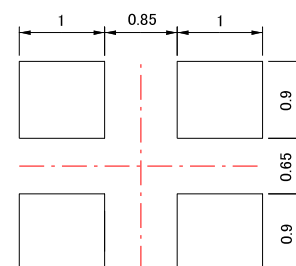
* The mark “●” denotes our achieved level

* Inflection Point (T0): 25°C, 28.5°C, 30.5°C (26 MHz), 30°C (19.2 MHz)

■ Dimensions (unit: mm)



■ Land pattern (unit: mm)



X-ON Electronics

Largest Supplier of Electrical and Electronic Components

Click to view similar products for [Crystals category](#):

Click to view products by [Failong Crystal manufacturer](#):

Other Similar products are found below :

[CS325S24000000ABJT](#) [718-13.2-1](#) [MC405 32.0000K-R3:PURE SN](#) [FC-135R 32.7680KF-A3](#) [7A-40.000MAAE-T](#) [7B-27.000MBBK-T](#)
[FL2000085](#) [9B-15.360MBBK-B](#) [9C-7.680MBBK-T](#) [ASH7K-32.768KHZ](#) [AT-41.600MAGQ-T](#) [BTD1062E05A-513](#) [LFX TAL066198Cutt](#)
[9C-14.31818MBBK-T](#) [FA-238 50.0000MB30X-K3](#) [FC-12M 32.7680KA-AC3](#) [SSPT7F-9PF20-R](#) [FX325BS-38.88EEM1201](#)
[LFX TAL065253Cutt](#) [LFX TAL066431Cutt](#) [XT9S20ANA14M7456](#) [XT9SNLANA16M](#) [646G-24-2](#) [7A-24.576MBBK-T](#) [7B-30.000MBBK-T](#)
[WX26-32.768K-6PF](#) [9B-14.31818MBBK-B](#) [CD1AM](#) [7B-25.000MAAE-T](#) [7A-14.31818MBBK-T](#) [6504-202-1501](#) [6526-202-1501](#) [FA-118T](#)
[27.1200MB50P-K0](#) [FC-135R 32.7680KA-A3](#) [ABM12-104-37.400MHZT](#) [ABLS-10.000MHZ-D3W-T](#) [BTJ112E01E-513](#) [BTJ722K01C-7067](#)
[BTL-20-513](#) [TSX-3225 24.0000MF15X-AC](#) [TSX-3225 16.0000MF18X-AC](#) [BTJ120E02C](#) [BTL-12-513](#) [7A-10.000MBBK-T](#) [7A-](#)
[11.0592MBBK-T](#) [ABM12-103-24.000MHZT](#) [CS325S25000000ABJT](#) [ABM3B-25.000MHZ-B2-X-T](#) [FC-135 32.7680KA-A5](#) [FX0800015](#)