

## FC-LF2010-Series .Common and differential mode suppression Inductors

### 1. Characteristics /特性:

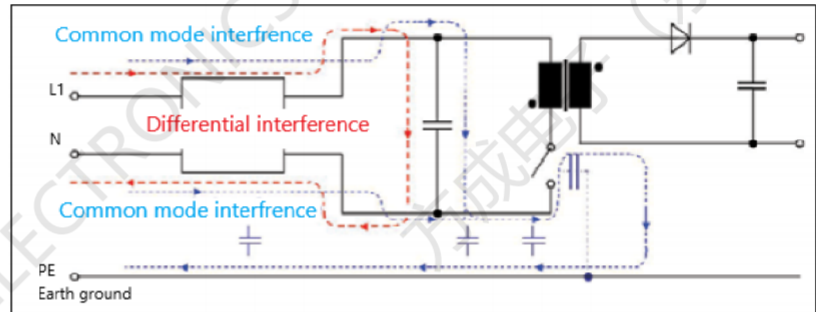
1. Isolation Voltage /绝缘电压: 1875VAC for 1 second
2. Safety Detail /安规: Designed for UL1993 US Lighting
3. Standards Detail/标准: Designed to meet UL Insulation System
4. Operating Temp/操作温度: -40°C to +125°C
5. Common and differential mode suppression Inductors /共模和差模抑制电感
6. High differential mode inductance with low resistance/高差模电感低电阻
7. Extremely compact design /非常紧密设计
8. Reduces components needed /减少所需元件
9. Small PCB footprint /PCB占用空间小



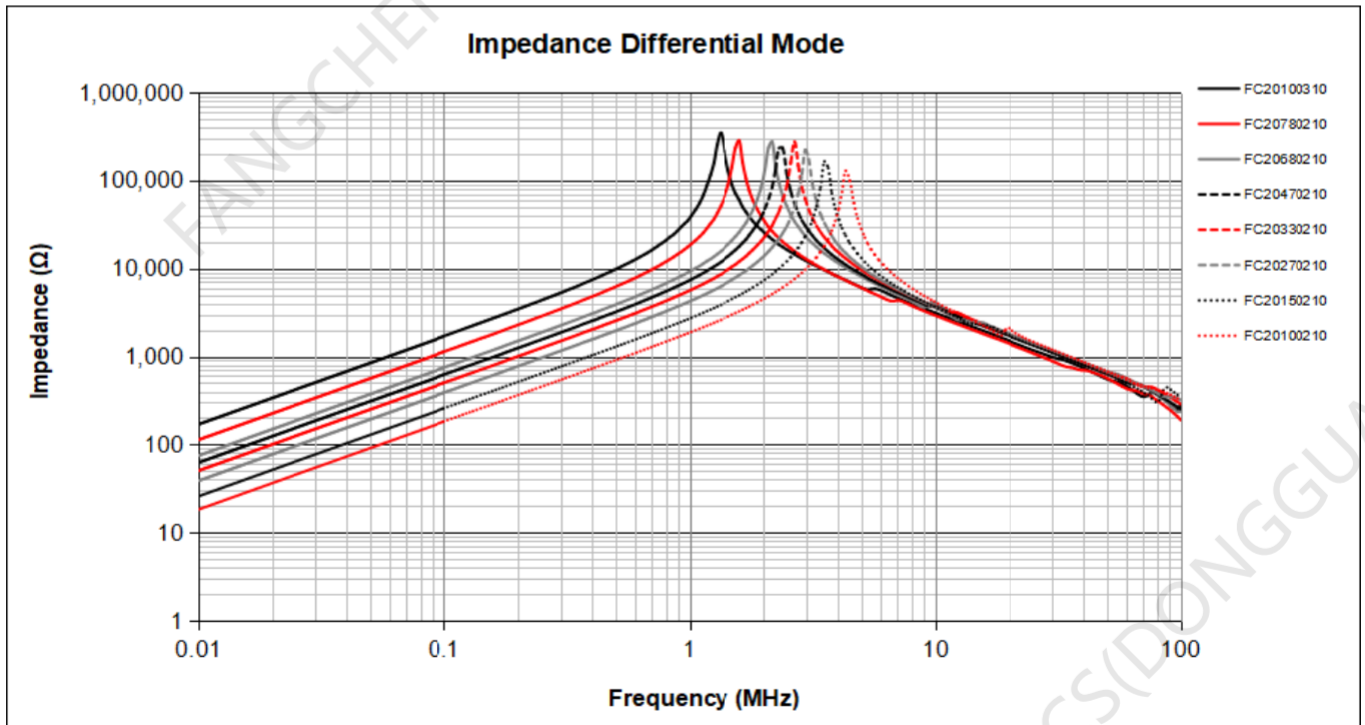
### 3. Applications /应用:

1. Power tools /电动工具
2. CCFL/LED lighting / CCFL/LED照明
3. White goods /大型家用电器
4. Power electronics /电力电子设备
5. Electronics ballasts /电子镇流器
6. Offline switching power /离线开关电源
7. Filtering on device with unstable ground .
8. Power line input and output filters.

### 2. Common Mode And Differential Mode interference

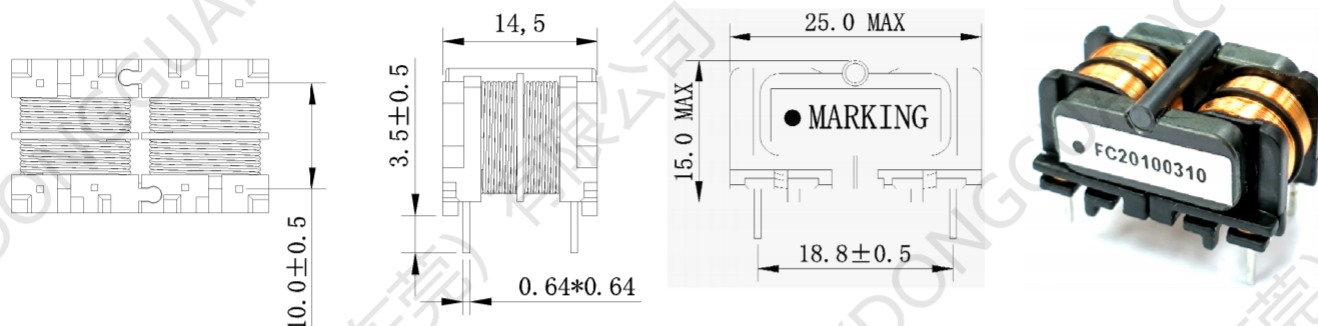


### 4. Impedance Common Mode/共模阻抗

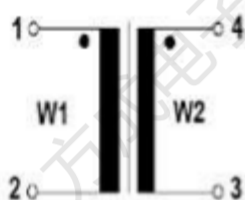


## FC-LF2010-Series .Common and differential mode suppression Inductors

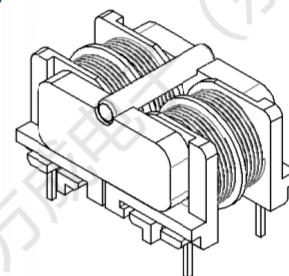
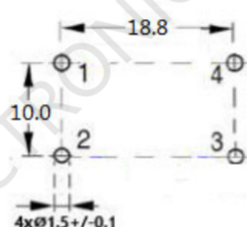
### 5. Dimensions: mm



### 6. Schematic:



### 7. Recommended Land Pattern: mm



### 8. Electrical Properties: (specified @25°C if not mentioned otherwise \*) typical value

All values without tolerances are typical values. Inductance and Lstray test condition **10KHz/50mV**

NO.	FC Ordering Code	Inductance(mH) +50%/-30%	I <sub>r</sub> (A)	Lstray,typ (µH)	DCR (Ω) Type	DCR (Ω) Max
1	FC20100310	<b>100</b>	0.5	5770	2.90	3.87
2	FC20780210	<b>78</b>	0.61	4100	1.96	2.57
3	FC20680210	<b>68</b>	0.64	3500	1.80	2.38
4	FC20470210	<b>47</b>	0.75	2700	1.28	1.67
5	FC20390210	<b>39</b>	0.85	2100	1.10	1.60
6	FC20330210	<b>33</b>	0.98	1680	0.76	1.01
7	FC20150210	<b>15</b>	1.45	795	0.38	0.52
8	FC20100210	<b>10</b>	1.85	470	0.23	0.32
9	FC20330110	<b>3.3</b>	2.5	85	0.16	0.21

Hi-Pot: Windings to Core:1500Vac/50Hz 1.0mA 2S, W1 to W2, 2500Vac, 50Hz 1.0mA 2S,  
 Rated Voltage: 85-265Vac  
 Ambient temperature : -40°C to +85°C      Operating temperature: -40°C to +125°C

## X-ON Electronics

Largest Supplier of Electrical and Electronic Components

*Click to view similar products for [Common Mode Chokes / Filters](#) category:*

*Click to view products by [FANGCHENG](#) manufacturer:*

Other Similar products are found below :

[PE-64683](#) [RD5122-6-9M6](#) [RD6137-6-7M5](#) [RD8147-16-3M0](#) [ST6118T-R](#) [FE3X025-10-7NL](#) [RD7147-25-0M7](#) [TCM0806G-350-2P-T](#)  
[TCM0806G-650-2P-T](#) [IND-0110](#) [UAL21VR0802000](#) [UALSC023000000](#) [UALSC1020JH000](#) [UALSU10VD20010](#) [UALSU9VD070100](#) [36-00037](#) [UALW21HS072450](#) [UALSU9H0208000](#) [UAL24VK06450CH](#) [PLT10HH501100PNB](#) [PLT10HH401100PNB](#) [PLT10HH1026R0PNB](#)  
[36-00029-01](#) [PE-67531](#) [TLH10UB](#) [113 0R5](#) [2752045447](#) [7351V](#) [CMF16-153131](#) [RD7147-6-6M0](#) [T8116NLT](#) [FE2X10-4-2NL](#) [36-00029-07](#)  
[T8003NLT](#) [CTX01-13663](#) [CTX66-19521-R](#) [RC212-0.5-10M](#) [RC112-0.4-15M](#) [RC212-0.6-6M8](#) [RC212-0.4-15M](#) [RC112-0.3-30M](#)  
[WTCF2012Z0M751PB](#) [PH9408.814NLT](#) [PAC6006.364NLT](#) [PAC6006.444NLT](#) [PAC6006.204NLT](#) [PH9407.204NLT](#) [PAC6006.264NLT](#)  
[PH9408.494NLT](#) [PAC6006.104NLT](#) [CM6350R-683-REEL](#)