

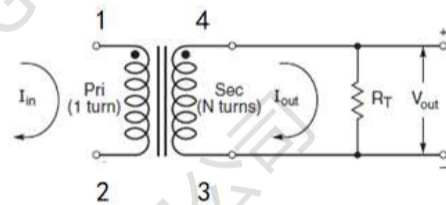
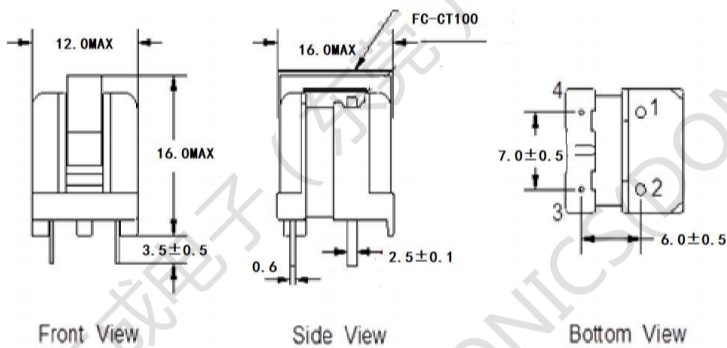
FC-CT9825-40A- Series Current Sense Transformers

Applications

- Sensed current up to 40 A; Designed for frequency range
- up to 1 KHz and above. Very low primary DC resistance
- 2500 Vrms, one minute isolation (hipot) between windings
- Core material Ferrite
- Operating temperature: $-40\text{ }^{\circ}\text{C}$ to $+125\text{ }^{\circ}\text{C}$
- Application in DC circuit current sampling

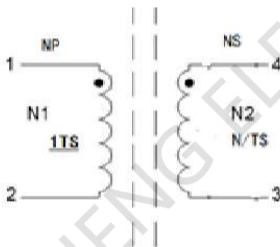


1. Dimensions: [mm]

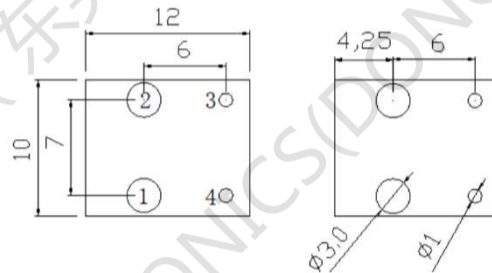


Application in DC circuit current sampling

2.Schematic:



3. Recommended Land Pattern: mm



4. ELECTRIC CHARACTERISTICS

Part Number	Turns Ration	Inductance min.(mH)	NP-NS V(DC)	DCR (MAX)		Sensed DC-Current I (A)
				Primary mΩ	Secondary Ω	
FC-CT9825-100T-40A	1:100	10.0	2500	0.8	1.5	40
FC-CT9825-200T-40A	1:200	40.0	2500	0.8	5.0	40

Remark:

<1>Inductance: 1KHz 0.25V Test condition: Ta= 25°C

Application in DC circuit current sampling

X-ON Electronics

Largest Supplier of Electrical and Electronic Components

Click to view similar products for [FANGCHENG manufacturer](#):

Other Similar products are found below :

[DLSF1010-12mH-L-S](#) [FC20100310](#) [FC20150210](#) [FC20330210](#) [FC20470210](#) [FC20680210](#) [FC-ACT25-50A-1000T-1T](#) [FC-CT9825-100T-40A](#) [FC-CT9825-200T-40A](#) [FC-DL2018D-5.0mH-20A-L](#) [FC-DLF1010-101B-LF](#) [FC-DLF1015-161B-LF](#) [FC-DLF4030-141-120A-LF](#) [FC-DLFH2520-102Y-LF](#) [FC-DLFH2520H-102Y-LF](#) [FC-DLSF1010-5mH-3.5A-L](#) [FC-DLSF2015W-30mH-1.5A-LF](#) [FC-DLSF2020L-30mH-1.5A-LF](#) [FC-DLSF2515-1.0mH/30A-L](#) [FC-DSL1212-L-10.0mH-3A](#) [FC-HLF2010H-50uH-20A-LF](#) [FC-HLF2018-15mH-10A-LF](#) [FC-HLF2018-5mH-25A-LF](#) [FC-LCM1513-301](#) [FC-LCM1513-551](#) [FC-LCM1513-701](#) [FC-LCM3225-102](#) [FC-LCM3225-421](#) [FC-LCM3225-501](#) [FC-LCM3225-701](#) [FC-LCM4532-102](#) [FC-LCM4532-152](#) [FC-LCM4532-421](#) [FC-LCM4532-701](#) [FC-LCM7060-132](#) [FC-LCM7060-501](#) [FC-LF1608-3.5mH-6.0A-L](#) [FC-LSFW4532-102S](#) [FC-SCM1040-150M-LF](#) [FC-SCT1010-1:125T-40A](#) [FC-SCT1010-1:150T-40A](#) [FC-SCT1010-1:180T-40A](#) [FC-SCT1010-1:200T-40A](#) [FC-SCT1010-1:50T-40A](#) [FC-SCT1010-1:70T-40A](#) [FC-SCT1090-100T-50A](#) [FC-SCT1090-200T-50A](#) [FC-SCT1090-300T-50A](#) [FC-SCT2010-100T](#) [FC-SCT2010-200T](#)