

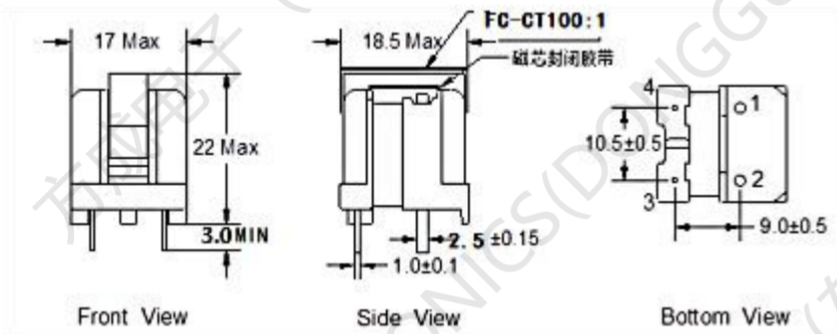
## FC-SCT1090-50A- Series Current Sense Transformers

### Applications

- Sensed current up to 50 A; Designed for frequency range
- up to 1 MHz and above. Very low primary DC resistance
- 2500 Vrms, one minute isolation (hipot) between windings
- Core material Ferrite
- Operating temperature:  $-40\text{ }^{\circ}\text{C}$  to  $+125\text{ }^{\circ}\text{C}$  /  $+150\text{ }^{\circ}\text{C}$  /  $+155\text{ }^{\circ}\text{C}$
- Recommended solder profile: Reflow

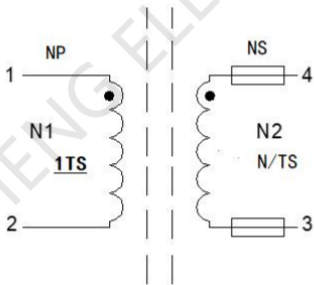


### 1. Dimensions: [mm]

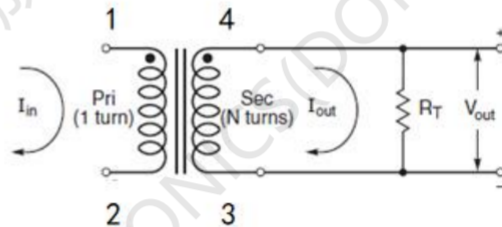


Application in DC circuit current sampling

### 2.Schematic:



### 3. Typical Circuit( DC Current Sense Transformers)



### 4. Recommended Land Pattern: mm



**FC-SCT1090-50A- Series Current Sense Transformers**

**5. ELECTRIC CHARACTERICS**

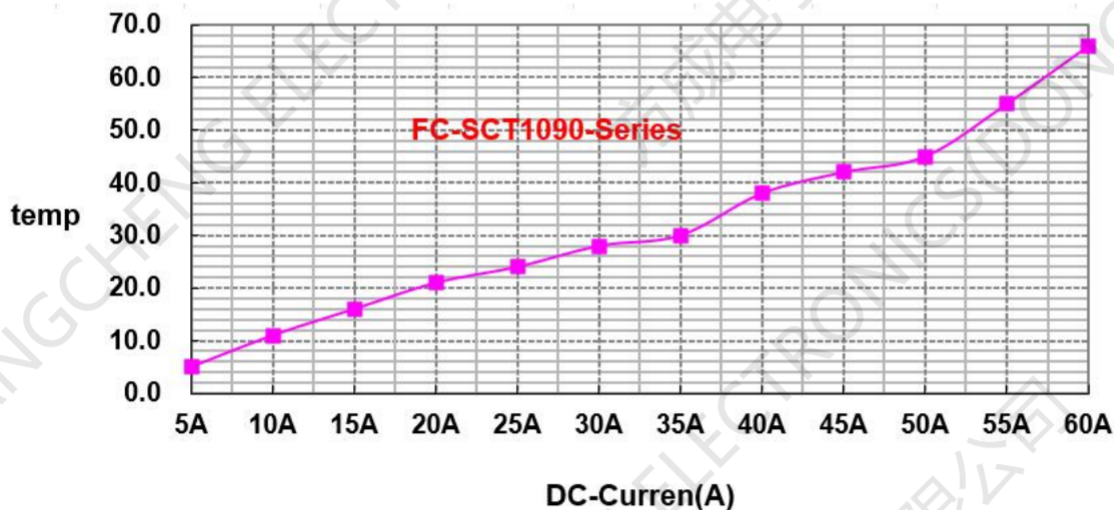
Part Number	Turns Ration	Inductance min.(mH)	NP-NS V(AC)	DCR (MAX)		Sensed DC-Current I (A)
				Primary mΩ	Secondary Ω	
FC-SCT1090-100T-50A	1:100	5.0	2500	0.8	1.5	50
FC-SCT1090-125T-50A	1:125	8.0	2500	0.8	2.0	50
FC-SCT1090-150T-50A	1:150	12.0	2500	0.8	3.0	50
FC-SCT1090-200T-50A	1:200	20.0	2500	0.8	4.5	50
FC-SCT1090-300T-50A	1:300	45.0	2500	0.8	9.5	50
FC-SCT1090-400T-50A	1:400	80.0	2500	0.8	15.0	50
FC-SCT1090-500T-50A	1:500	120.0	2500	0.8	21.0	50

Remark:

<1>Inductance: 1KHz 0.1V Test condition: Ta= 25℃

Application in DC circuit current sampling

**6.Temperature Rise vs Current**



## X-ON Electronics

Largest Supplier of Electrical and Electronic Components

*Click to view similar products for [FANGCHENG manufacturer](#):*

Other Similar products are found below :

[FC-SLF1813-251-6A-LF](#) [FC-SCT1010-1:150T-40A](#) [FC-SLF1285-5.0mH-2.0A-LF](#) [FC-DLSF1010-5mH-3.5A-L](#) [FC-SLF1813-10mH-2.5A-LF](#) [FC-SLF2210-431-LF](#) [FC-DLF4030-141-120A-LF](#) [FC-SLF1810-901-LF](#) [FC-SCT1010-1:200T-40A](#) [FC-SCT1010-1:50T-40A](#) [FC-SCT1010-1:180T-40A](#) [FC-SCT1090-200T-50A](#) [FC-SCT1010-1:125T-40A](#) [FC-SCT1010-1:70T-40A](#) [FC-UU16-452-3.5A-LF](#) [FC-SLF0502-101YL](#) [FC-DLF1015-161B-LF](#) [FC-SLF1812-202Y](#) [FC-SCT2010-100T](#) [FC-SLF0904-513DL](#) [FC-SCT2010-200T](#) [FC-ACT25-50A-1000T-1T](#) [FC-DLSF2515-1.0mH/30A-L](#) [FC-SLF0502-102YL](#) [FC-SLF1212T-25mH-2.5A-LF](#) [FC-SLF0502-251YL](#) [FC-SCT4.6-1:70](#) [FC-SLF1050-501-LF](#) [FC-SLF1050-801-LF](#) [FC-SLF1820-473](#) [FC-LSFW4532-102S](#) [FC-SLF0504-102](#) [FC-SLF1050-102-LF](#) [LCM1211-272](#) [FC20100310](#) [FC20330210](#) [FC-SLF0905-510Y](#) [FC20150210](#) [FC20680210](#) [FC20470210](#) [FC-DLFH2520H-102Y-LF](#) [FC-DLFH2520-102Y-LF](#) [FC-ULCT1013-1:200-35A](#) [FC-UU9.8-5.0mH-2.5A](#) [FC-SE2915-100M](#) [FC-SLF1285-10mH-1.5A-LF](#) [FC-LF1608-3.5mH-6.0A-L](#) [FC-SLF1065-221](#) [FC-SLF1515T-2.5mH-7.5A-LF](#) [FC-SLF0904-510YL](#)