

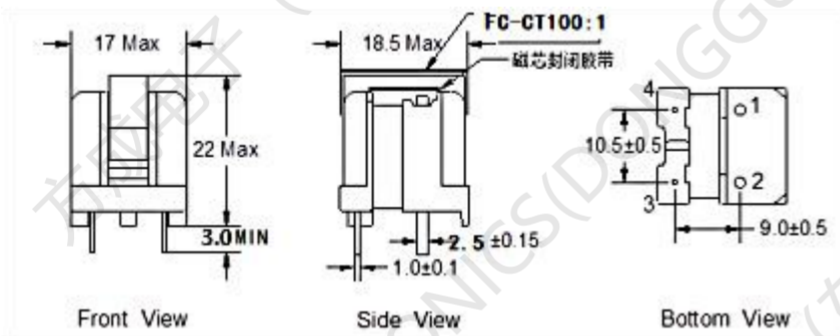
FC-SCT1090-50A- Series Current Sense Transformers

Applications

- Sensed current up to 50 A; Designed for frequency range
- up to 1 MHz and above. Very low primary DC resistance
- 2500 Vrms, one minute isolation (hipot) between windings
- Core material Ferrite
- Operating temperature: $-40\text{ }^{\circ}\text{C}$ to $+125\text{ }^{\circ}\text{C}$ / $+150\text{ }^{\circ}\text{C}$ / $+155\text{ }^{\circ}\text{C}$
- Recommended solder profile: Reflow

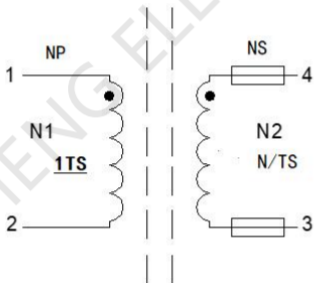


1. Dimensions: [mm]

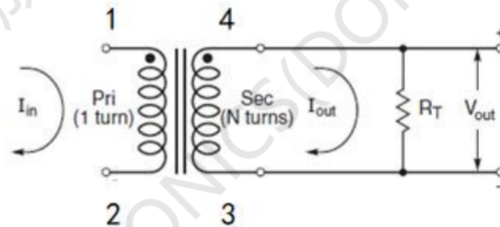


Application in DC circuit current sampling

2.Schematic:



3. Typical Circuit(DC Current Sense Transformers)



4. Recommended Land Pattern: mm



FC-SCT1090-50A- Series Current Sense Transformers

5. ELECTRIC CHARACTERICS

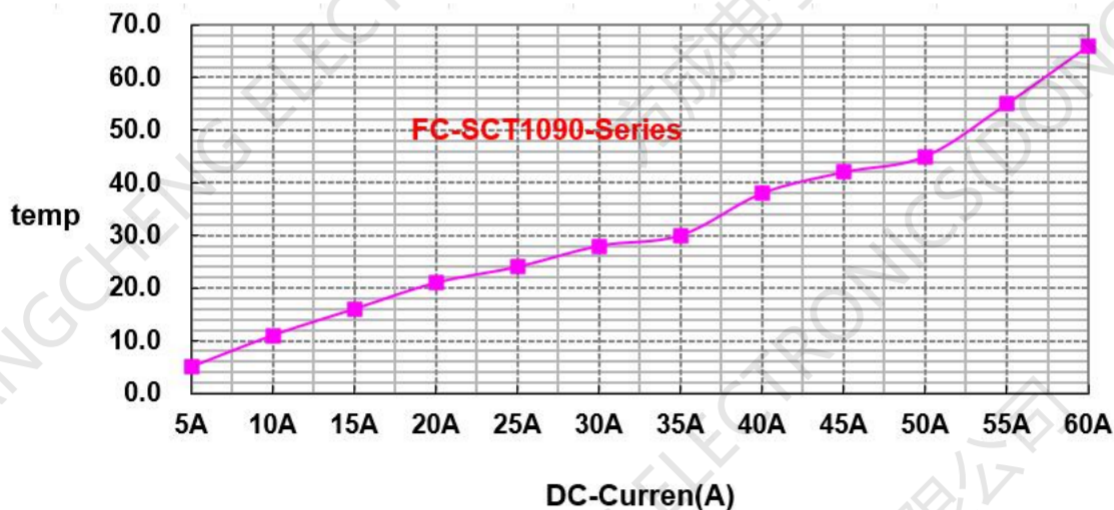
Part Number	Turns Ration	Inductance min.(mH)	NP-NS V(AC)	DCR (MAX)		Sensed DC-Current I (A)
				Primary mΩ	Secondary Ω	
FC-SCT1090-100T-50A	1:100	5.0	2500	0.8	1.5	50
FC-SCT1090-125T-50A	1:125	8.0	2500	0.8	2.0	50
FC-SCT1090-150T-50A	1:150	12.0	2500	0.8	3.0	50
FC-SCT1090-200T-50A	1:200	20.0	2500	0.8	4.5	50
FC-SCT1090-300T-50A	1:300	45.0	2500	0.8	9.5	50
FC-SCT1090-400T-50A	1:400	80.0	2500	0.8	15.0	50
FC-SCT1090-500T-50A	1:500	120.0	2500	0.8	21.0	50

Remark:

<1>Inductance: 1KHz 0.1V Test condition: Ta= 25°C

Application in DC circuit current sampling

6. Temperature Rise vs Current



X-ON Electronics

Largest Supplier of Electrical and Electronic Components

Click to view similar products for [FANGCHENG manufacturer](#):

Other Similar products are found below :

[DEP23-220M](#) [FC-SLF1813-251-6A-LF](#) [FC-ALX 5030D-2R2MT](#) [DPE3119-100M](#) [FC-ALX 6030D-1R5MT](#) [FC-DEM1623-220M](#) [FC-SCT1010-1:150T-40A](#) [FC-PFC1060-850M-B-L](#) [FC-DEM1623-150M](#) [FC-ALX 6050D-5R6MT](#) [FC-ALX 6050D-6R8MT](#) [FC-ALX 6020D-R20MT](#) [FC-ALX 6030D-1R0MT](#) [DPE3119-150M](#) [FC-PT3215B-330L](#) [FC-ALX 5030D-1R2MT](#) [FC-SE2915-120M](#) [FC-ALX 4030D-R33MT](#) [FC-DLH2315-150M](#) [DEP23-470M](#) [FC-ALX6020D-1R1MT](#) [FC-ALX6020D-R90MT](#) [FC-ALX 6030D-1R2MT](#) [DEP17A-220](#) [FC-TCH1065-230Y-T](#) [FC-ALX 6030D-R68MT](#) [FC-SLF1285-5.0mH-2.0A-LF](#) [FC-ALX 5030D-R80MT](#) [DEP1410-220](#) [FC-DR1207-101MT](#) [FC-DLSF1010-5mH-3.5A-L](#) [FC-SLF1813-10mH-2.5A-LF](#) [FC-ST1390-R68M-50A-L](#) [FC-SLF2210-431-LF](#) [FC-DLF4030-141-120A-LF](#) [FC-SLF1810-901-LF](#) [FC-SCT1010-1:200T-40A](#) [FC-SCT1010-1:100T-40A](#) [FC-ALX 5030D-1R5MT](#) [FC-SCT1010-1:50T-40A](#) [FC-SCT1010-1:180T-40A](#) [FC-SCT1090-200T-50A](#) [FC-SCT1010-1:125T-40A](#) [FC-SCT1010-1:70T-40A](#) [FC-UU16-452-3.5A-LF](#) [FC-TSE050-5V-12V-T](#) [DEP17B-220M](#) [FC-HCM1190-R25-L](#) [FC-ST1390-R47M-50A-L](#) [DEP17A-100](#)