

**FC-ULCT1013-Series-35A.Current Sense Transformers**

Height: 21.0mm Max

Current Rating: up to 35A

Low Primary DCR version

**Isolation: AC3750Vrms UL**

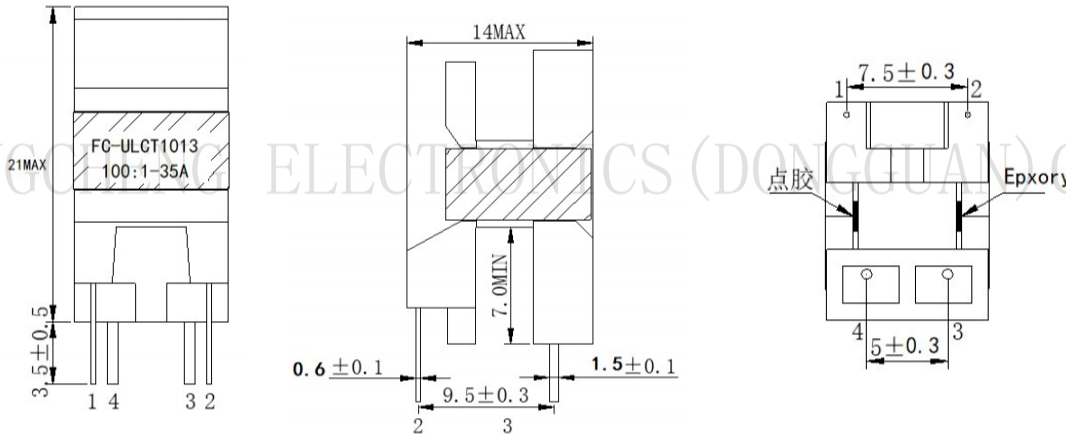
Ambient temperature  $-40^{\circ}\text{C}$  to  $+85^{\circ}\text{C}$

Storage temperature Component:  $-40^{\circ}\text{C}$  to  $+125^{\circ}\text{C}$

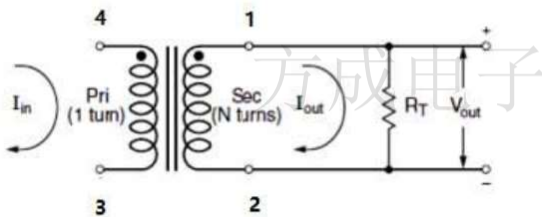


It is used as DC current transformer for various electronic device detection.

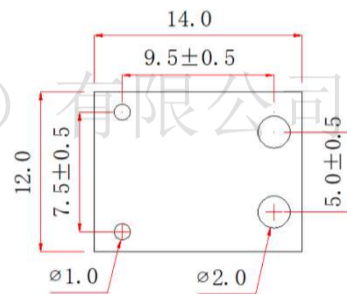
**1. Dimensions:mm**



**2.Schematic:**



**3.PCB,LAYOUT RECOMMENDATION**



**4.Electrical Characteristics :**

Part Number	Turns Ration	Current Rating NP4-3,(A)	Secondary Inductance (PIN1-2-mH min)	DCR (mΩ MAX)		Hipot (ACV <sub>RMS</sub> ) Np-Ns
				Primary (4-3)	Secondary (1-2)	
FC-ULCT1013-1:100-35A	1:100	35	5.0	0.8	2000	3750V
FC-ULCT1013-1:200-35A	1:200	35	20.0	0.8	6000	3750V

This specification applies to the DIP type UL current transformer **Current Sense Transformers**

It is used as DC current transformer for various electronic device detection.

## X-ON Electronics

Largest Supplier of Electrical and Electronic Components

*Click to view similar products for [FANGCHENG manufacturer](#):*

Other Similar products are found below :

[DLSF1010-12mH-L-S](#) [FC20100310](#) [FC20150210](#) [FC20330210](#) [FC20470210](#) [FC20680210](#) [FC-ACT25-50A-1000T-1T](#) [FC-CT9825-100T-40A](#) [FC-CT9825-200T-40A](#) [FC-DL2018D-5.0mH-20A-L](#) [FC-DLF1010-101B-LF](#) [FC-DLF1015-161B-LF](#) [FC-DLF4030-141-120A-LF](#) [FC-DLFH2520-102Y-LF](#) [FC-DLFH2520H-102Y-LF](#) [FC-DLSF1010-5mH-3.5A-L](#) [FC-DLSF2015W-30mH-1.5A-LF](#) [FC-DLSF2020L-30mH-1.5A-LF](#) [FC-DLSF2515-1.0mH/30A-L](#) [FC-DSL1212-L-10.0mH-3A](#) [FC-HLF2010H-50uH-20A-LF](#) [FC-HLF2018-15mH-10A-LF](#) [FC-HLF2018-5mH-25A-LF](#) [FC-LCM1513-301](#) [FC-LCM1513-551](#) [FC-LCM1513-701](#) [FC-LCM3225-102](#) [FC-LCM3225-421](#) [FC-LCM3225-501](#) [FC-LCM3225-701](#) [FC-LCM4532-102](#) [FC-LCM4532-152](#) [FC-LCM4532-421](#) [FC-LCM4532-701](#) [FC-LCM7060-132](#) [FC-LCM7060-501](#) [FC-LF1608-3.5mH-6.0A-L](#) [FC-LSFW4532-102S](#) [FC-SCM1040-150M-LF](#) [FC-SCT1010-1:125T-40A](#) [FC-SCT1010-1:150T-40A](#) [FC-SCT1010-1:180T-40A](#) [FC-SCT1010-1:200T-40A](#) [FC-SCT1010-1:50T-40A](#) [FC-SCT1010-1:70T-40A](#) [FC-SCT1090-100T-50A](#) [FC-SCT1090-200T-50A](#) [FC-SCT1090-300T-50A](#) [FC-SCT2010-100T](#) [FC-SCT2010-200T](#)