

FC-ULCT1013-Series-35A.Current Sense Transformers

Height: 21.0mm Max

Current Rating: up to 35A

Low Primary DCR version

Isolation: AC3750Vrms UL

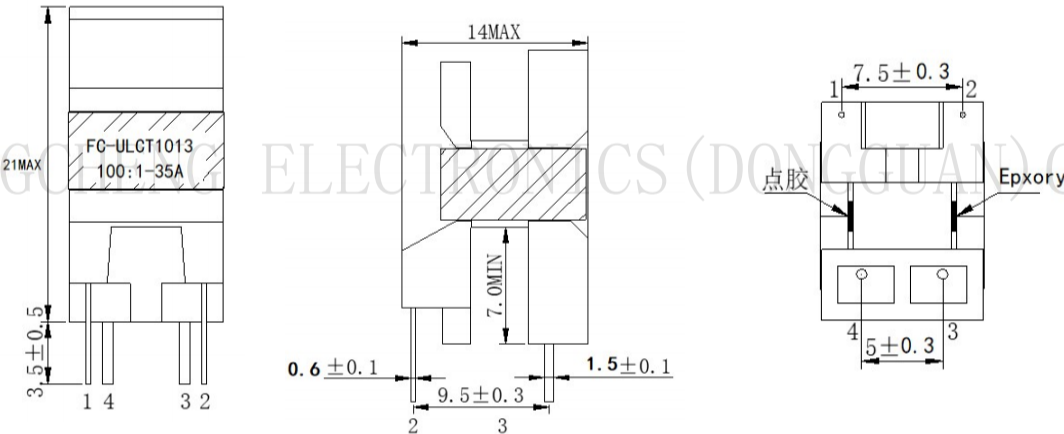
Ambient temperature -40°C to $+85^{\circ}\text{C}$

Storage temperature Component: -40°C to $+125^{\circ}\text{C}$

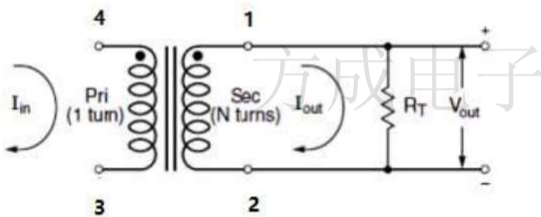


It is used as DC current transformer for various electronic device detection.

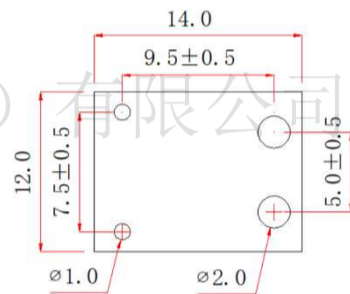
1. Dimensions:mm



2.Schematic:



3.PCB,LAYOUT RECOMMENDATION



4.Electrical Characteristics :

Part Number	Turns Ration	Current Rating NP4-3,(A)	Secondary Inductance (PIN1-2-mH min)	DCR (mΩ MAX)		Hipot (ACV _{RMS}) Np-Ns
				Primary (4-3)	Secondary (1-2)	
FC-ULCT1013-1:100-35A	1:100	35	5.0	0.8	2000	3750V
FC-ULCT1013-1:200-35A	1:200	35	20.0	0.8	6000	3750V

This specification applies to the DIP type UL current transformer **Current Sense Transformers**

It is used as DC current transformer for various electronic device detection.

X-ON Electronics

Largest Supplier of Electrical and Electronic Components

Click to view similar products for [FANGCHENG manufacturer](#):

Other Similar products are found below :

[DEP23-220M](#) [FC-SLF1813-251-6A-LF](#) [FC-ALX 5030D-2R2MT](#) [DPE3119-100M](#) [FC-ALX 6030D-1R5MT](#) [FC-DEM1623-220M](#) [FC-SCT1010-1:150T-40A](#) [FC-PFC1060-850M-B-L](#) [FC-DEM1623-150M](#) [FC-ALX 6050D-5R6MT](#) [FC-ALX 6050D-6R8MT](#) [FC-ALX 6020D-R20MT](#) [FC-ALX 6030D-1R0MT](#) [DPE3119-150M](#) [FC-PT3215B-330L](#) [FC-ALX 5030D-1R2MT](#) [FC-SE2915-120M](#) [FC-ALX 4030D-R33MT](#) [FC-DLH2315-150M](#) [DEP23-470M](#) [FC-ALX6020D-1R1MT](#) [FC-ALX6020D-R90MT](#) [FC-ALX 6030D-1R2MT](#) [DEP17A-220](#) [FC-TCH1065-230Y-T](#) [FC-ALX 6030D-R68MT](#) [FC-SLF1285-5.0mH-2.0A-LF](#) [FC-ALX 5030D-R80MT](#) [DEP1410-220](#) [FC-DR1207-101MT](#) [FC-DLSF1010-5mH-3.5A-L](#) [FC-SLF1813-10mH-2.5A-LF](#) [FC-ST1390-R68M-50A-L](#) [FC-SLF2210-431-LF](#) [FC-DLF4030-141-120A-LF](#) [FC-SLF1810-901-LF](#) [FC-SCT1010-1:200T-40A](#) [FC-SCT1010-1:100T-40A](#) [FC-ALX 5030D-1R5MT](#) [FC-SCT1010-1:50T-40A](#) [FC-SCT1010-1:180T-40A](#) [FC-SCT1090-200T-50A](#) [FC-SCT1010-1:125T-40A](#) [FC-SCT1010-1:70T-40A](#) [FC-UU16-452-3.5A-LF](#) [FC-TSE050-5V-12V-T](#) [DEP17B-220M](#) [FC-HCM1190-R25-L](#) [FC-ST1390-R47M-50A-L](#) [DEP17A-100](#)