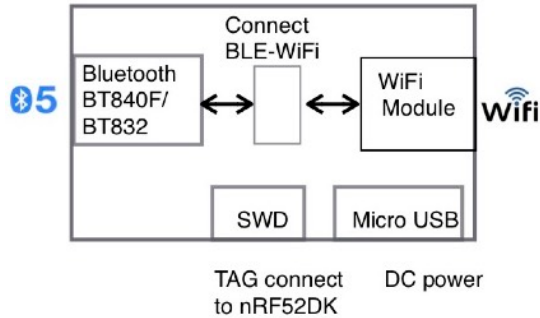


BWG832F, BWG832X Quick Start Guides

BWG832F/X Gateway

Gateway BWG832F/X consists of 2 major components.

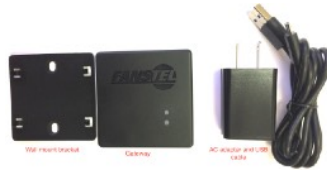
- A WiFi module with ESP8266. ESP8266 establishes and maintain connection with cloud server via a WiFi router.



- A Bluetooth 5 module - Fanstel BT832F with Nordic nRF52832 SoC for BWG832F.

Parts included in the package:

- A gateway
- A wall mount bracket
- An AC adapter, an USB cable

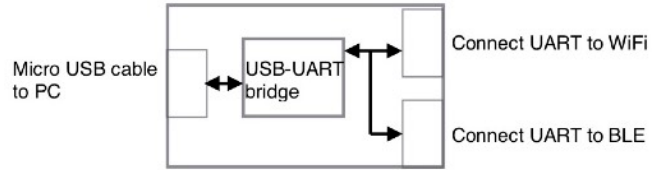
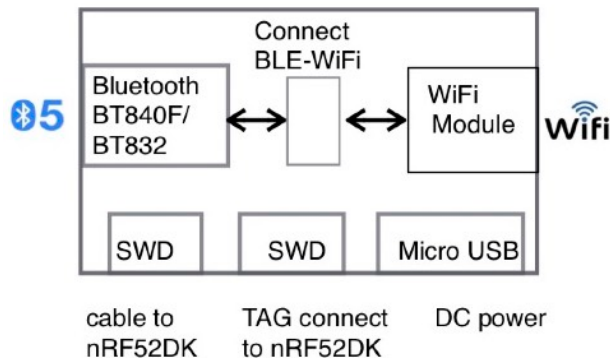


Your first development gateway must be a DK (Development Kit). To load firmware into WiFi module for connecting to a cloud server, the USB cable assembly included in DK is required.

DK-BWG832F/X Development Kit

DK-BWG832F/X consists of:

- A gateway with magnetic mount
- A wall mount bracket
- An AC adapter, an USB cable
- An USB cable assembly for connecting USB port to WiFi or Bluetooth module
- A 10-pin cable for connecting to Nordic nRF52DK.



WiFi Firmware Development

Mongoose OS is used. To install Mongoose tools in your PC, follow instructions in this link.

<https://mongoose-os.com/docs/quickstart/setup.html>

Fanstel Document, Hex and Source Codes

Please download schematics, firmware, Android OS apk, app source codes, and data sheets/developer's manual from:

<http://www.fanstel.com/download-opensource/>

Nordic nRF52 Development

Nordic nRF52 relays messages between cloud server and other nodes in Bluetooth mesh. An **nRF52DK** and a **TAG connect cable TC2050-IDC-NL-050-ALL** are required to change boot-loader. If boot-loader is loaded, **Over-The-Air DFU** can be used to update application software and SoftDevice.

Nordic development tools and download.

http://infocenter.nordicsemi.com/index.jsp?topic=/com.nordic.infocenter.nrf52/dita/nrf52/development/nrf52_dev_kit.html&cp=1_1

Nordic SDK with example projects.

https://developer.nordicsemi.com/nRF5_SDK/

Nordic DevZone, Q&A, Blog.

<https://devzone.nordicsemi.com/tutorials/b/getting-started/posts/development-with-gcc-and-eclipse>

Download and install nRF5x-Command-Line Tools

<https://www.nordicsemi.com/eng/nordic/Products/nRF52840/nRF5x-Command-Line-Tools-Win32/58850>

nRFgo Studio: PC application for configuring and evaluating Nordic SoCs.

<https://www.nordicsemi.com/eng/Products/2.4GHz-RF/nRFgo-Studio/>

X-ON Electronics

Largest Supplier of Electrical and Electronic Components

Click to view similar products for [Gateways category](#):

Click to view products by [Fanstel manufacturer](#):

Other Similar products are found below :

[BB-SG30000324-51](#) [MTCDTIP-LEU1-275L-868](#) [MTCDT-LEU1-246A-868-EU-GB](#) [WOP-2000G-N2AE](#) [ESRP-PCS-ECU1251](#) [BB-SG30300525-42](#) [BB-SG30500520-42](#) [TRB140003000](#) [ECU-1251TL-R10AAE](#) [SGX5150202US](#) [SGX5150102US](#) [RG191](#) [UPS-EDGE-X70864-U01](#) [UPS-EDIOT-X70864-UW01](#) [ADAM-4572-CE](#) [ADAM-6717-A](#) [ECU-1152-R11ABE](#) [EKI-1222-CE](#) [EKI-1224-CE](#) [EKI-1224CI-CE](#) [ICR-3201](#) [ICR-3211B](#) [UNO-220-P4N1AE](#) [UNO-2271G-W1032GE](#) [WISE-3310-D100L1E](#) [WISE-3610ILS-51A1N](#) [WISE-6610-E100-A](#) [WISE-6610-N100-A](#) [AKX00016](#) [MESR901](#) [MESR902T](#) [X2-HMU-EM-B](#) [X4-Z1U-B101-A](#) [SGX5150020US](#) [SGX51501M2ES](#) [SGX51502N5ES](#) [XPC240200B-02](#) [XPC240400B-02](#) [XPC240100S-02](#) [XPC240200S-02](#) [XPC240300S-02](#) [XPC240400S-02](#) [XPC250100S-02](#) [XPE200100S](#) [WSDA-2000](#) [WSDA-200-USB](#) [1120780001](#) [1120780002](#) [MTCDT-246A-868-EU-GB](#) [MTCDT-247A-868-EU-GB](#)