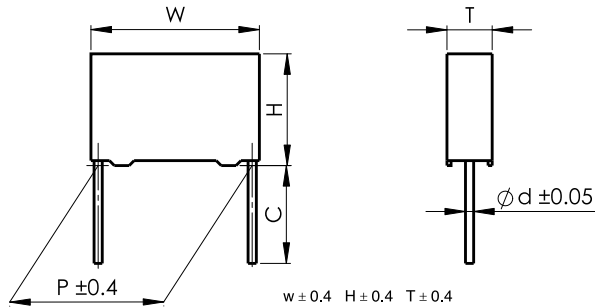




塑料外壳金属化聚酯膜电容器 Metallized polyester film capacitor(Box-type)

■ 外形图 Outline Drawing



■ 特点

- 可靠性高
- 金属化聚酯膜，无感卷绕结构
- 塑料外壳（UL94 V-0），阻燃环氧填充

■ 主要用途

- 旁路，隔直，耦合，退耦
- 脉冲，逻辑，定时，振荡电路

■ Features

- High reliability
- Metallized polyester film, non-inductive wound construction
- Plastic case (UL94 V-0), epoxy resin sealing

■ Typical Applications

- By-passing, blocking, coupling, decoupling
- Pulse, logic, timing, oscillator circuits

■ 技术要求 Specifications

| | | | | | | |
|--|---|---|--------|------------------|--------|--------|
| 引用标准 Reference Standard | GB/T 7332 (IEC 60384-2) | | | | | |
| 气候类别 Climatic Category | 55/105/56 | | | | | |
| 额定温度 Rated Temperature | 85°C | | | | | |
| 工作温度 Operating Temperature Range | -55°C ~ 105°C (+85°C to +105°C: decreasing factor 1.25% per °C for U_R) | | | | | |
| 额定电压 Rated Voltage | 63V, 100V, 160V, 250V, 400V, 630V, 1 000V | | | | | |
| 电容量范围 Capacitance Range | 0.0010 μ F ~ 47.0 μ F | | | | | |
| 电容量偏差 Capacitance Tolerance | $\pm 5\%$ (J), $\pm 10\%$ (K), $\pm 20\%$ (M) | | | | | |
| 耐电压 Voltage Proof | 1.6 U_R (5s) | | | | | |
| 损耗角正切 Dissipation Factor | 测试频率 Frequency | $C_N \leq 0.1\mu$ F | | $C_N > 0.1\mu$ F | | |
| | 1kHz | $\leq 1.0\%$ | | $\leq 1.0\%$ | | |
| | 10kHz | $\leq 1.5\%$ | | $\leq 1.5\%$ | | |
| | 100kHz | $\leq 3.0\%$ | | - | | |
| 绝缘电阻 Insulation Resistance | $U_R \leq 100V$ | $R \geq 3\,750M\Omega$, $C_N \leq 0.33\mu$ F $RC_N \geq 1\,250s$, $C_N > 0.33\mu$ F (20°C, 10V, 1min) | | | | |
| | $U_R > 100V$ | $R \geq 30\,000M\Omega$, $C_N \leq 0.33\mu$ F $RC_N \geq 10\,000s$, $C_N > 0.33\mu$ F (20°C, 100V, 1min) | | | | |
| 最大脉冲爬升速率 Maximum Pulse Rise Time(dV/dt): 若实际工作电压 U 比额定电压 U_R 低, 电容器可工作在更高的 dV/dt 场合, 这样 dv/dt 允许值应为右表值乘以 U_R/U 。 If the working voltage(U) is lower than the rated voltage(U_R), the capacitor can be worked at a higher dV/dt. In this case, the maximum allowed dV/dt is obtain by multiplying the right value with U_R/U . | $U_R(V)$ | dV/dt (V/ μ s) | | | | |
| | | P=7.5 | P=10.0 | P=15.0 | P=22.5 | P=27.5 |
| | 63 | 7.5 | 6 | 3 | 2 | 1 |
| | 100 | 15 | 9 | 5 | 3 | 2 |
| | 250 | 30 | 20 | 12 | 8 | 5 |
| | 400 | 40 | 30 | 20 | 10 | 7 |
| | 630 | 50 | 40 | 25 | 12 | 10 |
| 1 000 | 70 | 60 | 30 | 15 | 12 | |

产品编码说明 Part number system

■ 18位产品代码如下：

The 18 digits part number is formed as follow:
C23 Pattern II (Reduced size)

| | | | | | | | | | | | | | | | | | |
|---|---|---|---|---|---|---|---|---|----|----|----|----|----|----|----|----|----|
| 1 | 2 | 3 | 4 | 5 | 6 | 7 | 8 | 9 | 10 | 11 | 12 | 13 | 14 | 15 | 16 | 17 | 18 |
| C | 2 | 3 | | | | | | | | S | | | | | | | |

| | | | |
|---------|---------------------------------------|----------------|---|
| 第1~3位 | 型号代码 | Digit 1 to 3 | Series code |
| | C23= CL23 | | C23= CL23 |
| 第4~5位 | 直流额定电压 | Digit 4 to 5 | DC rated voltage |
| | 1J=63V 2A=100V 2C=160V 2E=250V | | 1J=63V 2A=100V 2C=160V 2E=250V |
| | 2G=400V 2J=630V 3A=1 000V | | 2G=400V 2J=630V 3A=1 000V |
| 第6~8位 | 标称容量 | Digit 6 to 8 | Rated capacitance value |
| | 举例：103=10 × 10 ³ pF=0.01μF | | For example: 103=10 × 10 ³ pf=0.01μF |
| 第9位 | 容量偏差 | Digit 9 | Capacitance tolerance |
| | J= ± 5% K= ± 10% M= ± 20% | | J= ± 5%,K= ± 10%,M= ± 20% |
| 第10位 | 引线脚距P | Digit 10 | Lead pitch |
| | 3=7.5mm 4=10.0mm 6=15.0mm | | 3=7.5mm 4=10.0mm 6=15.0mm |
| | 9=22.5mm B=27.5mm | | 9=22.5mm B=27.5mm |
| 第11位 | 内部特征码 | Digit 11 | Internal use |
| 第12~15位 | 引线加工和包装代码 | Digit 12 to 15 | Lead form and packaging code |
| 第16~18位 | 内部特征码 | Digit 16 to 18 | Internal use |

■ Table 1 引线加工和包装代码 lead form and packaging code

| 第 12 位 Digit 12 | | 第 13 位 Digit 13 | | 第 14 位 Digit 14 | | 第 15 位 Digit 15 | |
|-----------------|---|-----------------|---|-----------------|------------------|-----------------|--|
| 代码 Code | 说明 explanation | 代码 Code | 说明 explanation | 代码 Code | 说明 explanation | 代码 Code | 说明 explanation |
| A | 弹带包装 ammo-pack | 3 | F=7.5mm | 0 | 表示直脚 straight | 1 | 产品在连续的两个载带孔之间 each cap. among two consecutive holes P3=12.7mm,H=18.5mm (For pitch=7.5mm) |
| | | 4 | F=10.0mm | | | 5 | P3=25.4mm;H=18.5mm (For pitch=10/15mm) (Detail parameter refer to pag 17) |
| | | 6 | F=15.0mm | | | | |
| C | 直脚 straight lead “C” in the figure above | 代码 Code | 说明 explanation | 0 | | 0 | 引线长度偏差 ± 0.5mm 或标准长度 Length tolerance ± 0.5mm Or standard length |
| | | 00 | 标准的引线长度 (18mm~26mm) standard lead length | | | | |
| | | 45 | 引线长度 4.5mm lead length 4.5mm | | | | |



C23
CL23 series

■ 外形尺寸 Dimensions (mm)
Pattern II (Reduced sizes)

| 63Vdc (40Vac) | | | | | | | 100Vdc (63Vac) | | | | | | | 250Vdc(160Vac) | | | | | | |
|------------------------|------|------|------|------|-----|------------------|------------------------|------|------|------|------|-----|------------------|------------------------|------|------|------|------|-----|------------------|
| C _N (μF) | W | H | T | P | d | Part number | C _N (μF) | W | H | T | P | d | Part number | C _N (μF) | W | H | T | P | d | Part number |
| 0.47 | 10.5 | 8.5 | 3.5 | 7.5 | 0.5 | C231J474-3S****+ | 0.22 | 10.5 | 8.5 | 3.5 | 7.5 | 0.5 | C232A224-3S****+ | 0.068 | 10.5 | 8.5 | 3.5 | 7.5 | 0.5 | C232E683-3S****+ |
| 0.68 | 10.5 | 9.0 | 4.0 | 7.5 | 0.6 | C231J684-3S****+ | 0.33 | 10.5 | 9.0 | 4.0 | 7.5 | 0.6 | C232A334-3S****+ | 0.10 | 10.5 | 8.5 | 3.5 | 7.5 | 0.5 | C232E104-3S****+ |
| 1.0 | 10.5 | 11.0 | 5.0 | 7.5 | 0.6 | C231J105-3S****+ | 0.39 | 10.5 | 9.0 | 4.0 | 7.5 | 0.6 | C232A394-3S****+ | 0.15 | 10.5 | 9.0 | 4.0 | 7.5 | 0.6 | C232E154-3S****+ |
| 1.5 | 10.5 | 12.0 | 6.0 | 7.5 | 0.6 | C231J155-3S****+ | 0.47 | 10.5 | 9.0 | 4.0 | 7.5 | 0.6 | C232A474-3S****+ | 0.18 | 10.5 | 11.0 | 5.0 | 7.5 | 0.6 | C232E184-3S****+ |
| 1.8 | 10.5 | 12.0 | 6.0 | 7.5 | 0.6 | C231J185-3S****+ | 0.68 | 10.5 | 11.0 | 5.0 | 7.5 | 0.6 | C232A684-3S****+ | 0.22 | 10.5 | 11.0 | 5.0 | 7.5 | 0.6 | C232E224-3S****+ |
| 0.10 | 13.0 | 9.0 | 4.0 | 10.0 | 0.6 | C231J104-4S****+ | 1.0 | 10.5 | 12.0 | 6.0 | 7.5 | 0.6 | C232A105-3S****+ | 0.27 | 10.5 | 12.0 | 6.0 | 7.5 | 0.6 | C232E274-3S****+ |
| 0.15 | 13.0 | 9.0 | 4.0 | 10.0 | 0.6 | C231J154-4S****+ | 0.10 | 13.0 | 9.0 | 4.0 | 10.0 | 0.6 | C232A104-4S****+ | 0.33 | 10.5 | 12.0 | 6.0 | 7.5 | 0.6 | C232E334-3S****+ |
| 0.22 | 13.0 | 9.0 | 4.0 | 10.0 | 0.6 | C231J224-4S****+ | 0.15 | 13.0 | 9.0 | 4.0 | 10.0 | 0.6 | C232A154-4S****+ | 0.033 | 13.0 | 9.0 | 4.0 | 10.0 | 0.6 | C232E333-4S****+ |
| 0.33 | 13.0 | 9.0 | 4.0 | 10.0 | 0.6 | C231J334-4S****+ | 0.22 | 13.0 | 9.0 | 4.0 | 10.0 | 0.6 | C232A224-4S****+ | 0.047 | 13.0 | 9.0 | 4.0 | 10.0 | 0.6 | C232E473-4S****+ |
| 0.47 | 13.0 | 9.0 | 4.0 | 10.0 | 0.6 | C231J474-4S****+ | 0.33 | 13.0 | 9.0 | 4.0 | 10.0 | 0.6 | C232A334-4S****+ | 0.068 | 13.0 | 9.0 | 4.0 | 10.0 | 0.6 | C232E683-4S****+ |
| 0.68 | 13.0 | 9.0 | 4.0 | 10.0 | 0.6 | C231J684-4S****+ | 0.47 | 13.0 | 9.0 | 4.0 | 10.0 | 0.6 | C232A474-4S****+ | 0.10 | 13.0 | 9.0 | 4.0 | 10.0 | 0.6 | C232E104-4S****+ |
| 1.0 | 13.0 | 9.0 | 4.0 | 10.0 | 0.6 | C231J105-4S****+ | 0.68 | 13.0 | 9.0 | 4.0 | 10.0 | 0.6 | C232A684-4S****+ | 0.15 | 13.0 | 9.0 | 4.0 | 10.0 | 0.6 | C232E154-4S****+ |
| 1.5 | 13.0 | 11.0 | 5.0 | 10.0 | 0.6 | C231J155-4S****+ | 1.0 | 13.0 | 11.0 | 5.0 | 10.0 | 0.6 | C232A105-4S****+ | 0.22 | 13.0 | 11.0 | 5.0 | 10.0 | 0.6 | C232E224-4S****+ |
| 1.8 | 13.0 | 12.0 | 6.0 | 10.0 | 0.6 | C231J185-4S****+ | 1.5 | 13.0 | 12.0 | 6.0 | 10.0 | 0.6 | C232A155-4S****+ | 0.33 | 13.0 | 11.0 | 5.0 | 10.0 | 0.6 | C232E334-4S****+ |
| 2.2 | 13.0 | 12.0 | 6.0 | 10.0 | 0.6 | C231J225-4S****+ | 0.33 | 17.5 | 11.0 | 5.0 | 15.0 | 0.8 | C232A334-6S****+ | 0.39 | 13.0 | 12.0 | 6.0 | 10.0 | 0.6 | C232E394-4S****+ |
| 0.68 | 17.5 | 11.0 | 5.0 | 15.0 | 0.8 | C231J684-6S****+ | 0.47 | 17.5 | 11.0 | 5.0 | 15.0 | 0.8 | C232A474-6S****+ | 0.47 | 13.0 | 12.0 | 6.0 | 10.0 | 0.6 | C232E474-4S****+ |
| 1.0 | 17.5 | 11.0 | 5.0 | 15.0 | 0.8 | C231J105-6S****+ | 0.68 | 17.5 | 11.0 | 5.0 | 15.0 | 0.8 | C232A684-6S****+ | 0.10 | 17.5 | 11.0 | 5.0 | 15.0 | 0.8 | C232E104-6S****+ |
| 1.5 | 17.5 | 11.0 | 5.0 | 15.0 | 0.8 | C231J155-6S****+ | 1.0 | 17.5 | 11.0 | 5.0 | 15.0 | 0.8 | C232A105-6S****+ | 0.15 | 17.5 | 11.0 | 5.0 | 15.0 | 0.8 | C232E154-6S****+ |
| 1.8 | 17.5 | 11.0 | 5.0 | 15.0 | 0.8 | C231J185-6S****+ | 1.5 | 17.5 | 12.0 | 6.0 | 15.0 | 0.8 | C232A155-6S****+ | 0.22 | 17.5 | 11.0 | 5.0 | 15.0 | 0.8 | C232E224-6S****+ |
| 2.2 | 17.5 | 11.0 | 5.0 | 15.0 | 0.8 | C231J225-6S****+ | 1.8 | 17.5 | 12.0 | 6.0 | 15.0 | 0.8 | C232A185-6S****+ | 0.33 | 17.5 | 11.0 | 5.0 | 15.0 | 0.8 | C232E334-6S****+ |
| 3.3 | 17.5 | 12.0 | 6.0 | 15.0 | 0.8 | C231J335-6S****+ | 2.2 | 17.5 | 12.0 | 6.0 | 15.0 | 0.8 | C232A225-6S****+ | 0.47 | 17.5 | 11.0 | 5.0 | 15.0 | 0.8 | C232E474-6S****+ |
| 4.7 | 17.5 | 13.5 | 7.5 | 15.0 | 0.8 | C231J475-6S****+ | 3.3 | 17.5 | 13.5 | 7.5 | 15.0 | 0.8 | C232A335-6S****+ | 0.68 | 17.5 | 12.0 | 6.0 | 15.0 | 0.8 | C232E684-6S****+ |
| 6.8 | 17.5 | 14.5 | 8.5 | 15.0 | 0.8 | C231J685-6S****+ | 4.7 | 17.5 | 14.5 | 8.5 | 15.0 | 0.8 | C232A475-6S****+ | 1.0 | 17.5 | 13.5 | 7.5 | 15.0 | 0.8 | C232E105-6S****+ |
| 10.0 | 17.5 | 19.0 | 11.0 | 15.0 | 0.8 | C231J106-6S****+ | 1.5 | 26.5 | 15.0 | 6.0 | 22.5 | 0.8 | C232A155-9S****+ | 1.5 | 17.5 | 14.5 | 8.5 | 15.0 | 0.8 | C232E155-6S****+ |
| 3.3 | 26.5 | 16.0 | 7.0 | 22.5 | 0.8 | C231J335-9S****+ | 1.8 | 26.5 | 15.0 | 6.0 | 22.5 | 0.8 | C232A185-9S****+ | 0.22 | 26.5 | 15.0 | 6.0 | 22.5 | 0.8 | C232E224-9S****+ |
| 4.7 | 26.5 | 16.0 | 7.0 | 22.5 | 0.8 | C231J475-9S****+ | 2.2 | 26.5 | 15.0 | 6.0 | 22.5 | 0.8 | C232A225-9S****+ | 0.47 | 26.5 | 15.0 | 6.0 | 22.5 | 0.8 | C232E474-9S****+ |
| 6.8 | 26.5 | 16.0 | 7.0 | 22.5 | 0.8 | C231J685-9S****+ | 3.3 | 26.5 | 15.0 | 6.0 | 22.5 | 0.8 | C232A335-9S****+ | 0.68 | 26.5 | 15.0 | 6.0 | 22.5 | 0.8 | C232E684-9S****+ |
| 10.0 | 26.5 | 17.0 | 8.5 | 22.5 | 0.8 | C231J106-9S****+ | 4.7 | 26.5 | 16.0 | 7.0 | 22.5 | 0.8 | C232A475-9S****+ | 1.0 | 26.5 | 15.0 | 6.0 | 22.5 | 0.8 | C232E105-9S****+ |
| 15.0 | 26.5 | 20.0 | 11.0 | 22.5 | 0.8 | C231J156-9S****+ | 6.8 | 26.5 | 18.5 | 10.0 | 22.5 | 0.8 | C232A685-9S****+ | 1.5 | 26.5 | 16.0 | 7.0 | 22.5 | 0.8 | C232E155-9S****+ |
| 4.7 | 32.0 | 18.0 | 9.0 | 27.5 | 0.8 | C231J475-BS****+ | 10.0 | 26.5 | 22.0 | 12.0 | 22.5 | 0.8 | C232A106-9S****+ | 1.8 | 26.5 | 16.0 | 7.0 | 22.5 | 0.8 | C232E185-9S****+ |
| 6.8 | 32.0 | 18.0 | 9.0 | 27.5 | 0.8 | C231J685-BS****+ | 4.7 | 32.0 | 18.0 | 9.0 | 27.5 | 0.8 | C232A475-BS****+ | 2.2 | 26.5 | 17.0 | 8.5 | 22.5 | 0.8 | C232E225-9S****+ |
| 10.0 | 32.0 | 18.0 | 9.0 | 27.5 | 0.8 | C231J106-BS****+ | 6.8 | 32.0 | 18.0 | 9.0 | 27.5 | 0.8 | C232A685-BS****+ | 3.3 | 26.5 | 20.0 | 11.0 | 22.5 | 0.8 | C232E335-9S****+ |
| 15.0 | 32.0 | 18.0 | 9.0 | 27.5 | 0.8 | C231J156-BS****+ | 10.0 | 32.0 | 20.0 | 11.0 | 27.5 | 0.8 | C232A106-BS****+ | 1.5 | 32.0 | 18.0 | 9.0 | 27.5 | 0.8 | C232E155-BS****+ |
| 22.0 | 32.0 | 22.0 | 13.0 | 27.5 | 0.8 | C231J226-BS****+ | 15.0 | 32.0 | 20.0 | 11.0 | 27.5 | 0.8 | C232A156-BS****+ | 1.8 | 32.0 | 18.0 | 9.0 | 27.5 | 0.8 | C232E185-BS****+ |
| 33.0 | 32.0 | 24.5 | 15.0 | 27.5 | 0.8 | C231J336-BS****+ | 22.0 | 32.0 | 25.0 | 13.0 | 27.5 | 0.8 | C232A226-BS****+ | 2.2 | 32.0 | 18.0 | 9.0 | 27.5 | 0.8 | C232E225-BS****+ |
| 47.0 | 32.0 | 30.0 | 16.0 | 27.5 | 0.8 | C231J476-BS****+ | 33.0 | 32.0 | 30.0 | 16.0 | 27.5 | 0.8 | C232A336-BS****+ | 3.3 | 32.0 | 18.0 | 9.0 | 27.5 | 0.8 | C232E335-BS****+ |
| | | | | | | | | | | | | | | 4.7 | 32.0 | 20.0 | 11.0 | 27.5 | 0.8 | C232E475-BS****+ |
| | | | | | | | | | | | | | | 6.8 | 32.0 | 22.0 | 13.0 | 27.5 | 0.8 | C232E685-BS****+ |
| | | | | | | | | | | | | | | 10.0 | 32.0 | 24.5 | 15.0 | 27.5 | 0.8 | C232E106-BS****+ |

备注: 1. “-”表示容量偏差。 “-”=capacitance tolerance code, M=±20%,K=±10%,J=±5%
2. “****”表示引线加工和包装代码(见table 1)。“****”=lead form and packing code(refer to table 1)

■ 外形尺寸 Dimensions (mm)
Pattern II (Reduced sizes)

| 400Vdc (200Vac) | | | | | | | 630Vdc (220Vac) [®] | | | | | | | 1000Vdc(300Vac) | | | | | | |
|------------------------|------|------|------|------|-----|------------------|------------------------------|------|------|------|------|-----|------------------|------------------------|------|------|------|------|-----|------------------|
| C _N (μF) | W | H | T | P | d | Part number | C _N (μF) | W | H | T | P | d | Part number | C _N (μF) | W | H | T | P | d | Part number |
| 0.022 | 10.5 | 8.5 | 3.5 | 7.5 | 0.5 | C232G223-3S****+ | 0.0022 | 10.5 | 8.5 | 3.5 | 7.5 | 0.5 | C232J222-3S****+ | 0.0010 | 10.5 | 8.5 | 3.5 | 7.5 | 0.5 | C233A102-3S****+ |
| 0.033 | 10.5 | 8.5 | 3.5 | 7.5 | 0.5 | C232G333-3S****+ | 0.0047 | 10.5 | 8.5 | 3.5 | 7.5 | 0.5 | C232J472-3S****+ | 0.0015 | 10.5 | 8.5 | 3.5 | 7.5 | 0.5 | C233A152-3S****+ |
| 0.047 | 10.5 | 9.0 | 4.0 | 7.5 | 0.6 | C232G473-3S****+ | 0.0068 | 10.5 | 8.5 | 3.5 | 7.5 | 0.5 | C232J682-3S****+ | 0.0022 | 10.5 | 8.5 | 3.5 | 7.5 | 0.5 | C233A222-3S****+ |
| 0.068 | 10.5 | 11.0 | 5.0 | 7.5 | 0.6 | C232G683-3S****+ | 0.010 | 10.5 | 8.5 | 3.5 | 7.5 | 0.5 | C232J103-3S****+ | 0.0033 | 10.5 | 8.5 | 3.5 | 7.5 | 0.5 | C233A332-3S****+ |
| 0.082 | 10.5 | 12.0 | 6.0 | 7.5 | 0.6 | C232G823-3S****+ | 0.015 | 10.5 | 9.0 | 4.0 | 7.5 | 0.6 | C232J153-3S****+ | 0.0047 | 10.5 | 8.5 | 3.5 | 7.5 | 0.5 | C233A472-3S****+ |
| 0.10 | 10.5 | 12.0 | 6.0 | 7.5 | 0.6 | C232G104-3S****+ | 0.022 | 10.5 | 11.0 | 5.0 | 7.5 | 0.6 | C232J223-3S****+ | 0.0068 | 10.5 | 9.0 | 4.0 | 7.5 | 0.6 | C233A682-3S****+ |
| 0.010 | 13.0 | 9.0 | 4.0 | 10.0 | 0.6 | C232G103-4S****+ | 0.033 | 10.5 | 12.0 | 6.0 | 7.5 | 0.6 | C232J333-3S****+ | 0.010 | 10.5 | 11.0 | 5.0 | 7.5 | 0.6 | C233A103-3S****+ |
| 0.015 | 13.0 | 9.0 | 4.0 | 10.0 | 0.6 | C232G153-4S****+ | 0.047 | 10.5 | 12.0 | 6.0 | 7.5 | 0.6 | C232J473-3S****+ | 0.015 | 10.5 | 12.0 | 6.0 | 7.5 | 0.6 | C233A153-3S****+ |
| 0.022 | 13.0 | 9.0 | 4.0 | 10.0 | 0.6 | C232G223-4S****+ | 0.0047 | 13.0 | 9.0 | 4.0 | 10.0 | 0.6 | C232J472-4S****+ | 0.0010 | 13.0 | 9.0 | 4.0 | 10.0 | 0.6 | C233A102-4S****+ |
| 0.033 | 13.0 | 9.0 | 4.0 | 10.0 | 0.6 | C232G333-4S****+ | 0.0068 | 13.0 | 9.0 | 4.0 | 10.0 | 0.6 | C232J682-4S****+ | 0.0015 | 13.0 | 9.0 | 4.0 | 10.0 | 0.6 | C233A152-4S****+ |
| 0.047 | 13.0 | 9.0 | 4.0 | 10.0 | 0.6 | C232G473-4S****+ | 0.010 | 13.0 | 9.0 | 4.0 | 10.0 | 0.6 | C232J103-4S****+ | 0.0022 | 13.0 | 9.0 | 4.0 | 10.0 | 0.6 | C233A222-4S****+ |
| 0.056 | 13.0 | 9.0 | 4.0 | 10.0 | 0.6 | C232G563-4S****+ | 0.015 | 13.0 | 9.0 | 4.0 | 10.0 | 0.6 | C232J153-4S****+ | 0.0033 | 13.0 | 9.0 | 4.0 | 10.0 | 0.6 | C233A332-4S****+ |
| 0.068 | 13.0 | 11.0 | 5.0 | 10.0 | 0.6 | C232G683-4S****+ | 0.022 | 13.0 | 9.0 | 4.0 | 10.0 | 0.6 | C232J223-4S****+ | 0.0047 | 13.0 | 9.0 | 4.0 | 10.0 | 0.6 | C233A472-4S****+ |
| 0.10 | 13.0 | 11.0 | 5.0 | 10.0 | 0.6 | C232G104-4S****+ | 0.033 | 13.0 | 11.0 | 5.0 | 10.0 | 0.6 | C232J333-4S****+ | 0.0056 | 13.0 | 9.0 | 4.0 | 10.0 | 0.6 | C233A562-4S****+ |
| 0.15 | 13.0 | 12.0 | 6.0 | 10.0 | 0.6 | C232G154-4S****+ | 0.047 | 13.0 | 11.0 | 5.0 | 10.0 | 0.6 | C232J473-4S****+ | 0.0068 | 13.0 | 9.0 | 4.0 | 10.0 | 0.6 | C233A682-4S****+ |
| 0.047 | 17.5 | 11.0 | 5.0 | 15.0 | 0.8 | C232G473-6S****+ | 0.068 | 13.0 | 12.0 | 6.0 | 10.0 | 0.6 | C232J683-4S****+ | 0.010 | 13.0 | 9.0 | 4.0 | 10.0 | 0.6 | C233A103-4S****+ |
| 0.068 | 17.5 | 11.0 | 5.0 | 15.0 | 0.8 | C232G683-6S****+ | 0.033 | 17.5 | 11.0 | 5.0 | 15.0 | 0.8 | C232J333-6S****+ | 0.015 | 13.0 | 11.0 | 5.0 | 10.0 | 0.6 | C233A153-4S****+ |
| 0.10 | 17.5 | 11.0 | 5.0 | 15.0 | 0.8 | C232G104-6S****+ | 0.047 | 17.5 | 11.0 | 5.0 | 15.0 | 0.8 | C232J473-6S****+ | 0.022 | 13.0 | 11.0 | 5.0 | 10.0 | 0.6 | C233A223-4S****+ |
| 0.15 | 17.5 | 11.0 | 5.0 | 15.0 | 0.8 | C232G154-6S****+ | 0.068 | 17.5 | 11.0 | 5.0 | 15.0 | 0.8 | C232J683-6S****+ | 0.010 | 17.5 | 11.0 | 5.0 | 15.0 | 0.8 | C233A103-6S****+ |
| 0.22 | 17.5 | 12.0 | 6.0 | 15.0 | 0.8 | C232G224-6S****+ | 0.10 | 17.5 | 12.0 | 6.0 | 15.0 | 0.8 | C232J104-6S****+ | 0.015 | 17.5 | 11.0 | 5.0 | 15.0 | 0.8 | C233A153-6S****+ |
| 0.33 | 17.5 | 13.5 | 7.5 | 15.0 | 0.8 | C232G334-6S****+ | 0.15 | 17.5 | 13.5 | 7.5 | 15.0 | 0.8 | C232J154-6S****+ | 0.022 | 17.5 | 11.0 | 5.0 | 15.0 | 0.8 | C233A223-6S****+ |
| 0.47 | 17.5 | 14.5 | 8.5 | 15.0 | 0.8 | C232G474-6S****+ | 0.22 | 17.5 | 16.0 | 10.0 | 15.0 | 0.8 | C232J224-6S****+ | 0.033 | 17.5 | 12.0 | 6.0 | 15.0 | 0.8 | C233A333-6S****+ |
| 0.56 | 17.5 | 16.0 | 10.0 | 15.0 | 0.8 | C232G564-6S****+ | 0.33 | 17.5 | 19.0 | 11.0 | 15.0 | 0.8 | C232J334-6S****+ | 0.047 | 17.5 | 12.0 | 6.0 | 15.0 | 0.8 | C233A473-6S****+ |
| 0.68 | 17.5 | 16.0 | 10.0 | 15.0 | 0.8 | C232G684-6S****+ | 0.10 | 26.5 | 15.0 | 6.0 | 22.5 | 0.8 | C232J104-9S****+ | 0.068 | 17.5 | 13.5 | 7.5 | 15.0 | 0.8 | C233A683-6S****+ |
| 0.22 | 26.5 | 15.0 | 6.0 | 22.5 | 0.8 | C232G224-9S****+ | 0.15 | 26.5 | 15.0 | 6.0 | 22.5 | 0.8 | C232J154-9S****+ | 0.10 | 17.5 | 14.5 | 8.5 | 15.0 | 0.8 | C233A104-6S****+ |
| 0.33 | 26.5 | 15.0 | 6.0 | 22.5 | 0.8 | C232G334-9S****+ | 0.22 | 26.5 | 16.0 | 7.0 | 22.5 | 0.8 | C232J224-9S****+ | 0.033 | 26.5 | 15.0 | 6.0 | 22.5 | 0.8 | C233A333-9S****+ |
| 0.47 | 26.5 | 15.0 | 6.0 | 22.5 | 0.8 | C232G474-9S****+ | 0.33 | 26.5 | 16.0 | 7.0 | 22.5 | 0.8 | C232J334-9S****+ | 0.047 | 26.5 | 15.0 | 6.0 | 22.5 | 0.8 | C233A473-9S****+ |
| 0.68 | 26.5 | 16.0 | 7.0 | 22.5 | 0.8 | C232G684-9S****+ | 0.47 | 26.5 | 17.0 | 8.5 | 22.5 | 0.8 | C232J474-9S****+ | 0.068 | 26.5 | 15.0 | 6.0 | 22.5 | 0.8 | C233A683-9S****+ |
| 1.0 | 26.5 | 18.5 | 10.0 | 22.5 | 0.8 | C232G105-9S****+ | 0.68 | 26.5 | 22.0 | 12.0 | 22.5 | 0.8 | C232J684-9S****+ | 0.10 | 26.5 | 15.0 | 6.0 | 22.5 | 0.8 | C233A104-9S****+ |
| 1.5 | 26.5 | 22.0 | 12.0 | 22.5 | 0.8 | C232G155-9S****+ | 0.33 | 32.0 | 18.0 | 9.0 | 27.5 | 0.8 | C232J334-BS****+ | 0.15 | 26.5 | 16.0 | 7.0 | 22.5 | 0.8 | C233A154-9S****+ |
| 0.68 | 32.0 | 18.0 | 9.0 | 27.5 | 0.8 | C232G684-BS****+ | 0.47 | 32.0 | 18.0 | 9.0 | 27.5 | 0.8 | C232J474-BS****+ | 0.22 | 26.5 | 17.0 | 8.5 | 22.5 | 0.8 | C233A224-9S****+ |
| 1.0 | 32.0 | 18.0 | 9.0 | 27.5 | 0.8 | C232G105-BS****+ | 0.68 | 32.0 | 20.0 | 11.0 | 27.5 | 0.8 | C232J684-BS****+ | 0.33 | 26.5 | 20.0 | 11.0 | 22.5 | 0.8 | C233A334-9S****+ |
| 1.5 | 32.0 | 20.0 | 11.0 | 27.5 | 0.8 | C232G155-BS****+ | 1.0 | 32.0 | 20.0 | 11.0 | 27.5 | 0.8 | C232J105-BS****+ | 0.15 | 32.0 | 18.0 | 9.0 | 27.5 | 0.8 | C233A154-BS****+ |
| 1.8 | 32.0 | 20.0 | 11.0 | 27.5 | 0.8 | C232G185-BS****+ | | | | | | | | 0.22 | 32.0 | 18.0 | 9.0 | 27.5 | 0.8 | C233A224-BS****+ |
| 2.2 | 32.0 | 22.0 | 13.0 | 27.5 | 0.8 | C232G225-BS****+ | | | | | | | | 0.33 | 32.0 | 20.0 | 11.0 | 27.5 | 0.8 | C233A334-BS****+ |
| 3.3 | 32.0 | 24.5 | 15.0 | 27.5 | 0.8 | C232G335-BS****+ | | | | | | | | 0.47 | 32.0 | 20.0 | 11.0 | 27.5 | 0.8 | C233A474-BS****+ |
| 4.7 | 32.0 | 30.0 | 16.0 | 27.5 | 0.8 | C232G475-BS****+ | | | | | | | | 0.68 | 32.0 | 28.0 | 14.0 | 27.5 | 0.8 | C233A684-BS****+ |
| 6.8 | 32.0 | 33.0 | 18.0 | 27.5 | 0.8 | C232G685-BS****+ | | | | | | | | 1.0 | 32.0 | 30.0 | 16.0 | 27.5 | 0.8 | C233A105-BS****+ |
| | | | | | | | | | | | | | | 1.5 | 32.0 | 37.0 | 22.0 | 27.5 | 0.8 | C233A155-BS****+ |

备注: 1. “-”表示容量偏差。 “-”=capacitance tolerance code, M=±20%,K=±10%,J=±5%
 2. “****”表示引线加工和包装代码(见table 1)。“****”=lead form and packing code (refer to table 1)
 3. “@”不用作跨线,请参见抗干扰电容器(Pag.109)
 “@” Not suitable for across-the-line applications. Pls refer to the Interference Suppression Capacitors(Pag.109)

X-ON Electronics

Largest Supplier of Electrical and Electronic Components

Click to view similar products for [Film Capacitors](#) category:

Click to view products by [FARATRONIC](#) manufacturer:

Other Similar products are found below :

[703-6G](#) [82DC4100CK60J](#) [82EC1100DQ50K](#) [MMWAF150KME](#) [PCY2130F30153](#) [QXJ2E474KTPT](#) [QXL2B333KTPT](#) [QXM2G104K](#)
[DPM16S56K-1F](#) [EEC2G505HQA406](#) [B32234-.033@250V-K](#) [B81133-C1104-M3](#) [MTC355L1](#) [217-0716-001](#) [PA225L30](#) [CB182K0184J--](#)
[KP1830-247/061-G](#) [274ACF4400WA0J](#) [274ACF5150WA0J](#) [SCD105K122A3-22](#) [SCD205K122A3-24](#) [PCX2339F65224](#) [PCX2339F65334](#)
[2222 368 55105](#) [2222 370 21683](#) [QXL2E473KTPT](#) [445450-1](#) [MKT182022263473](#) [WMC08P22](#) [46KN410000N1K](#) [46KR368050M1M](#) [ECQ-](#)
[W4223KZ](#) [EEC2G805HQA415](#) [PA103L30](#) [82DC4100AA60K](#) [82EC2150DQ50K](#) [VEA105K50](#) [82IC2150DQ50J](#) [82EC2220DQ50J](#)
[MTC55L4](#) [MTC56L4](#) [730P205X9400](#) [PA104L30](#) [PA224L30](#) [82DC3220AA60J](#) [82EC4100DQ70J](#) [WYP-104M](#) [82CC4220AA70J](#)
[82EC3100Z370J](#) [B32656S8105K566](#)