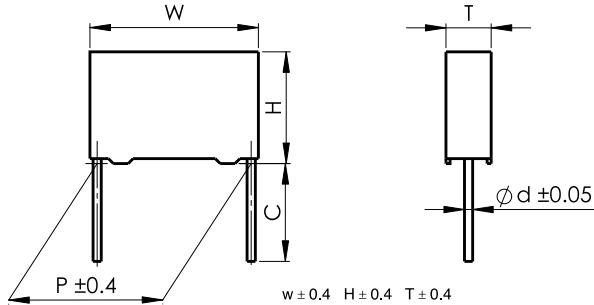




## 塑料外壳金属化聚酯膜电容器 Metallized polyester film capacitor(Box-type)

### ■ 外形图 Outline Drawing



### ■ 特点

- 可靠性高
- 金属化聚酯膜，无感卷绕结构
- 塑料外壳（UL94 V-0），阻燃环氧填充

### ■ 主要用途

- 旁路，隔直，耦合，退耦
- 脉冲，逻辑，定时，振荡电路

### ■ Features

- High reliability
- Metallized polyester film, non-inductive wound construction
- Plastic case (UL94 V-0), epoxy resin sealing

### ■ Typical Applications

- By-passing, blocking, coupling, decoupling
- Pulse, logic, timing, oscillator circuits

### ■ 技术要求 Specifications

|  |   |   |        |                  |        |        |
|--|---|---|--------|------------------|--------|--------|
| 引用标准 Reference Standard  | GB/T 7332 (IEC 60384-2)   |   |        |                  |        |        |
| 气候类别 Climatic Category   | 55/105/56   |   |        |                  |        |        |
| 额定温度 Rated Temperature   | 85°C  |   |        |                  |        |        |
| 工作温度 Operating Temperature Range   | -55°C ~ 105°C<br>(+85°C to +105°C: decreasing factor 1.25% per °C for $U_R$ ) |   |        |                  |        |        |
| 额定电压 Rated Voltage   | 63V, 100V, 160V, 250V, 400V, 630V, 1 000V                                     |   |        |                  |        |        |
| 电容量范围 Capacitance Range  | 0.0010 $\mu$ F ~ 47.0 $\mu$ F   |   |        |                  |        |        |
| 电容量偏差 Capacitance Tolerance  | $\pm 5\%$ (J), $\pm 10\%$ (K), $\pm 20\%$ (M)                                 |   |        |                  |        |        |
| 耐电压 Voltage Proof  | 1.6 $U_R$ ( 5s )  |   |        |                  |        |        |
| 损耗角正切 Dissipation Factor   | 测试频率 Frequency  | $C_N \leq 0.1\mu$ F   |        | $C_N > 0.1\mu$ F |        |        |
|  | 1kHz  | $\leq 1.0\%$  |        | $\leq 1.0\%$     |        |        |
|  | 10kHz   | $\leq 1.5\%$  |        | $\leq 1.5\%$     |        |        |
|  | 100kHz  | $\leq 3.0\%$  |        | -                |        |        |
| 绝缘电阻 Insulation Resistance   | $U_R \leq 100V$   | $R \geq 3\,750M\Omega$ , $C_N \leq 0.33\mu$ F<br>$RC_N \geq 1\,250s$ , $C_N > 0.33\mu$ F (20°C, 10V, 1min)    |        |                  |        |        |
|  | $U_R > 100V$  | $R \geq 30\,000M\Omega$ , $C_N \leq 0.33\mu$ F<br>$RC_N \geq 10\,000s$ , $C_N > 0.33\mu$ F (20°C, 100V, 1min) |        |                  |        |        |
| 最大脉冲爬升速率 Maximum Pulse Rise Time(dV/dt): 若实际工作电压 U 比额定电压 $U_R$ 低, 电容器可工作在更高的 dV/dt 场合, 这样 dv/dt 允许值应为右表值乘以 $U_R/U$ 。<br>If the working voltage(U) is lower than the rated voltage( $U_R$ ), the capacitor can be worked at a higher dV/dt. In this case, the maximum allowed dV/dt is obtain by multiplying the right value with $U_R/U$ . | $U_R(V)$  | dV/dt (V/ $\mu$ s)  |        |                  |        |        |
|  |   | P=7.5   | P=10.0 | P=15.0           | P=22.5 | P=27.5 |
|  | 63  | 7.5   | 6      | 3                | 2      | 1      |
|  | 100   | 15  | 9      | 5                | 3      | 2      |
|  | 250   | 30  | 20     | 12               | 8      | 5      |
|  | 400   | 40  | 30     | 20               | 10     | 7      |
|  | 630   | 50  | 40     | 25               | 12     | 10     |
| 1 000  | 70  | 60  | 30     | 15               | 12     |        |

产品编码说明 Part number system

■ 18位产品代码如下：

The 18 digits part number is formed as follow:  
C23 Pattern II (Reduced size)

|   |   |   |   |   |   |   |   |   |    |    |    |    |    |    |    |    |    |
|---|---|---|---|---|---|---|---|---|----|----|----|----|----|----|----|----|----|
| 1 | 2 | 3 | 4 | 5 | 6 | 7 | 8 | 9 | 10 | 11 | 12 | 13 | 14 | 15 | 16 | 17 | 18 |
| C | 2 | 3 |   |   |   |   |   |   |    | S  |    |    |    |    |    |    |    |

|         |   |                |   |
|---------|---|----------------|---|
| 第1~3位   | 型号代码<br>C23= CL23   | Digit 1 to 3   | Series code<br>C23= CL23  |
| 第4~5位   | 直流额定电压<br>1J=63V 2A=100V 2C=160V 2E=250V<br>2G=400V 2J=630V 3A=1 000V | Digit 4 to 5   | DC rated voltage<br>1J=63V 2A=100V 2C=160V 2E=250V<br>2G=400V 2J=630V 3A=1 000V |
| 第6~8位   | 标称容量<br>举例：103=10 × 10 <sup>3</sup> pF=0.01μF                         | Digit 6 to 8   | Rated capacitance value<br>For example: 103=10 × 10 <sup>3</sup> pf=0.01μF      |
| 第9位     | 容量偏差<br>J= ± 5% K= ± 10% M= ± 20%                                     | Digit 9        | Capacitance tolerance<br>J= ± 5%,K= ± 10%,M= ± 20%                              |
| 第10位    | 引线脚距P<br>3=7.5mm 4=10.0mm 6=15.0mm<br>9=22.5mm B=27.5mm               | Digit 10       | Lead pitch<br>3=7.5mm 4=10.0mm 6=15.0mm<br>9=22.5mm B=27.5mm                    |
| 第11位    | 内部特征码   | Digit 11       | Internal use  |
| 第12~15位 | 引线加工和包装代码   | Digit 12 to 15 | Lead form and packaging code  |
| 第16~18位 | 内部特征码   | Digit 16 to 18 | Internal use  |

■ Table 1 引线加工和包装代码 lead form and packaging code

| 第 12 位 Digit 12 |   | 第 13 位 Digit 13 |   | 第 14 位 Digit 14 |                  | 第 15 位 Digit 15 |  |
|-----------------|---|-----------------|---|-----------------|------------------|-----------------|--|
| 代码 Code         | 说明 explanation                                    | 代码 Code         | 说明 explanation                              | 代码 Code         | 说明 explanation   | 代码 Code         | 说明 explanation   |
| A               | 弹带包装<br>ammo-pack                                 | 3               | F=7.5mm                                     | 0               | 表示直脚<br>straight | 1               | 产品在连续的两个载带孔之间<br>each cap. among two consecutive holes<br>P3=12.7mm,H=18.5mm (For pitch=7.5mm) |
|                 |   | 4               | F=10.0mm                                    |                 |                  | 5               | P3=25.4mm;H=18.5mm (For pitch=10/15mm)<br>(Detail parameter refer to pag 17)                   |
| C               | 直脚<br>straight lead<br>“C” in the<br>figure above | 代码 Code         | 说明 explanation                              | 0               |                  | 0               | 引线长度偏差 ± 0.5mm 或标准长度<br>Length tolerance ± 0.5mm<br>Or standard length                         |
|                 |   | 00              | 标准的引线长度 (18mm~26mm)<br>standard lead length |                 |                  |                 |  |
|                 |   | 45              | 引线长度 4.5mm<br>lead length 4.5mm             |                 |                  |                 |  |



**C23**  
CL23 series

■ 外形尺寸 Dimensions ( mm )  
Pattern II ( Reduced sizes )

| 63Vdc (40Vac)          |      |      |      |      |     |                  | 100Vdc (63Vac)         |      |      |      |      |     |                  | 250Vdc(160Vac)         |      |      |      |      |     |                  |
|------------------------|------|------|------|------|-----|------------------|------------------------|------|------|------|------|-----|------------------|------------------------|------|------|------|------|-----|------------------|
| C <sub>N</sub><br>(μF) | W    | H    | T    | P    | d   | Part number      | C <sub>N</sub><br>(μF) | W    | H    | T    | P    | d   | Part number      | C <sub>N</sub><br>(μF) | W    | H    | T    | P    | d   | Part number      |
| 0.47                   | 10.5 | 8.5  | 3.5  | 7.5  | 0.5 | C231J474-3S****+ | 0.22                   | 10.5 | 8.5  | 3.5  | 7.5  | 0.5 | C232A224-3S****+ | 0.068                  | 10.5 | 8.5  | 3.5  | 7.5  | 0.5 | C232E683-3S****+ |
| 0.68                   | 10.5 | 9.0  | 4.0  | 7.5  | 0.6 | C231J684-3S****+ | 0.33                   | 10.5 | 9.0  | 4.0  | 7.5  | 0.6 | C232A334-3S****+ | 0.10                   | 10.5 | 8.5  | 3.5  | 7.5  | 0.5 | C232E104-3S****+ |
| 1.0                    | 10.5 | 11.0 | 5.0  | 7.5  | 0.6 | C231J105-3S****+ | 0.39                   | 10.5 | 9.0  | 4.0  | 7.5  | 0.6 | C232A394-3S****+ | 0.15                   | 10.5 | 9.0  | 4.0  | 7.5  | 0.6 | C232E154-3S****+ |
| 1.5                    | 10.5 | 12.0 | 6.0  | 7.5  | 0.6 | C231J155-3S****+ | 0.47                   | 10.5 | 9.0  | 4.0  | 7.5  | 0.6 | C232A474-3S****+ | 0.18                   | 10.5 | 11.0 | 5.0  | 7.5  | 0.6 | C232E184-3S****+ |
| 1.8                    | 10.5 | 12.0 | 6.0  | 7.5  | 0.6 | C231J185-3S****+ | 0.68                   | 10.5 | 11.0 | 5.0  | 7.5  | 0.6 | C232A684-3S****+ | 0.22                   | 10.5 | 11.0 | 5.0  | 7.5  | 0.6 | C232E224-3S****+ |
| 0.10                   | 13.0 | 9.0  | 4.0  | 10.0 | 0.6 | C231J104-4S****+ | 1.0                    | 10.5 | 12.0 | 6.0  | 7.5  | 0.6 | C232A105-3S****+ | 0.27                   | 10.5 | 12.0 | 6.0  | 7.5  | 0.6 | C232E274-3S****+ |
| 0.15                   | 13.0 | 9.0  | 4.0  | 10.0 | 0.6 | C231J154-4S****+ | 0.10                   | 13.0 | 9.0  | 4.0  | 10.0 | 0.6 | C232A104-4S****+ | 0.33                   | 10.5 | 12.0 | 6.0  | 7.5  | 0.6 | C232E334-3S****+ |
| 0.22                   | 13.0 | 9.0  | 4.0  | 10.0 | 0.6 | C231J224-4S****+ | 0.15                   | 13.0 | 9.0  | 4.0  | 10.0 | 0.6 | C232A154-4S****+ | 0.033                  | 13.0 | 9.0  | 4.0  | 10.0 | 0.6 | C232E333-4S****+ |
| 0.33                   | 13.0 | 9.0  | 4.0  | 10.0 | 0.6 | C231J334-4S****+ | 0.22                   | 13.0 | 9.0  | 4.0  | 10.0 | 0.6 | C232A224-4S****+ | 0.047                  | 13.0 | 9.0  | 4.0  | 10.0 | 0.6 | C232E473-4S****+ |
| 0.47                   | 13.0 | 9.0  | 4.0  | 10.0 | 0.6 | C231J474-4S****+ | 0.33                   | 13.0 | 9.0  | 4.0  | 10.0 | 0.6 | C232A334-4S****+ | 0.068                  | 13.0 | 9.0  | 4.0  | 10.0 | 0.6 | C232E683-4S****+ |
| 0.68                   | 13.0 | 9.0  | 4.0  | 10.0 | 0.6 | C231J684-4S****+ | 0.47                   | 13.0 | 9.0  | 4.0  | 10.0 | 0.6 | C232A474-4S****+ | 0.10                   | 13.0 | 9.0  | 4.0  | 10.0 | 0.6 | C232E104-4S****+ |
| 1.0                    | 13.0 | 9.0  | 4.0  | 10.0 | 0.6 | C231J105-4S****+ | 0.68                   | 13.0 | 9.0  | 4.0  | 10.0 | 0.6 | C232A684-4S****+ | 0.15                   | 13.0 | 9.0  | 4.0  | 10.0 | 0.6 | C232E154-4S****+ |
| 1.5                    | 13.0 | 11.0 | 5.0  | 10.0 | 0.6 | C231J155-4S****+ | 1.0                    | 13.0 | 11.0 | 5.0  | 10.0 | 0.6 | C232A105-4S****+ | 0.22                   | 13.0 | 11.0 | 5.0  | 10.0 | 0.6 | C232E224-4S****+ |
| 1.8                    | 13.0 | 12.0 | 6.0  | 10.0 | 0.6 | C231J185-4S****+ | 1.5                    | 13.0 | 12.0 | 6.0  | 10.0 | 0.6 | C232A155-4S****+ | 0.33                   | 13.0 | 11.0 | 5.0  | 10.0 | 0.6 | C232E334-4S****+ |
| 2.2                    | 13.0 | 12.0 | 6.0  | 10.0 | 0.6 | C231J225-4S****+ | 0.33                   | 17.5 | 11.0 | 5.0  | 15.0 | 0.8 | C232A334-6S****+ | 0.39                   | 13.0 | 12.0 | 6.0  | 10.0 | 0.6 | C232E394-4S****+ |
| 0.68                   | 17.5 | 11.0 | 5.0  | 15.0 | 0.8 | C231J684-6S****+ | 0.47                   | 17.5 | 11.0 | 5.0  | 15.0 | 0.8 | C232A474-6S****+ | 0.47                   | 13.0 | 12.0 | 6.0  | 10.0 | 0.6 | C232E474-4S****+ |
| 1.0                    | 17.5 | 11.0 | 5.0  | 15.0 | 0.8 | C231J105-6S****+ | 0.68                   | 17.5 | 11.0 | 5.0  | 15.0 | 0.8 | C232A684-6S****+ | 0.10                   | 17.5 | 11.0 | 5.0  | 15.0 | 0.8 | C232E104-6S****+ |
| 1.5                    | 17.5 | 11.0 | 5.0  | 15.0 | 0.8 | C231J155-6S****+ | 1.0                    | 17.5 | 11.0 | 5.0  | 15.0 | 0.8 | C232A105-6S****+ | 0.15                   | 17.5 | 11.0 | 5.0  | 15.0 | 0.8 | C232E154-6S****+ |
| 1.8                    | 17.5 | 11.0 | 5.0  | 15.0 | 0.8 | C231J185-6S****+ | 1.5                    | 17.5 | 12.0 | 6.0  | 15.0 | 0.8 | C232A155-6S****+ | 0.22                   | 17.5 | 11.0 | 5.0  | 15.0 | 0.8 | C232E224-6S****+ |
| 2.2                    | 17.5 | 11.0 | 5.0  | 15.0 | 0.8 | C231J225-6S****+ | 1.8                    | 17.5 | 12.0 | 6.0  | 15.0 | 0.8 | C232A185-6S****+ | 0.33                   | 17.5 | 11.0 | 5.0  | 15.0 | 0.8 | C232E334-6S****+ |
| 3.3                    | 17.5 | 12.0 | 6.0  | 15.0 | 0.8 | C231J335-6S****+ | 2.2                    | 17.5 | 12.0 | 6.0  | 15.0 | 0.8 | C232A225-6S****+ | 0.47                   | 17.5 | 11.0 | 5.0  | 15.0 | 0.8 | C232E474-6S****+ |
| 4.7                    | 17.5 | 13.5 | 7.5  | 15.0 | 0.8 | C231J475-6S****+ | 3.3                    | 17.5 | 13.5 | 7.5  | 15.0 | 0.8 | C232A335-6S****+ | 0.68                   | 17.5 | 12.0 | 6.0  | 15.0 | 0.8 | C232E684-6S****+ |
| 6.8                    | 17.5 | 14.5 | 8.5  | 15.0 | 0.8 | C231J685-6S****+ | 4.7                    | 17.5 | 14.5 | 8.5  | 15.0 | 0.8 | C232A475-6S****+ | 1.0                    | 17.5 | 13.5 | 7.5  | 15.0 | 0.8 | C232E105-6S****+ |
| 10.0                   | 17.5 | 19.0 | 11.0 | 15.0 | 0.8 | C231J106-6S****+ | 1.5                    | 26.5 | 15.0 | 6.0  | 22.5 | 0.8 | C232A155-9S****+ | 1.5                    | 17.5 | 14.5 | 8.5  | 15.0 | 0.8 | C232E155-6S****+ |
| 3.3                    | 26.5 | 16.0 | 7.0  | 22.5 | 0.8 | C231J335-9S****+ | 1.8                    | 26.5 | 15.0 | 6.0  | 22.5 | 0.8 | C232A185-9S****+ | 0.22                   | 26.5 | 15.0 | 6.0  | 22.5 | 0.8 | C232E224-9S****+ |
| 4.7                    | 26.5 | 16.0 | 7.0  | 22.5 | 0.8 | C231J475-9S****+ | 2.2                    | 26.5 | 15.0 | 6.0  | 22.5 | 0.8 | C232A225-9S****+ | 0.47                   | 26.5 | 15.0 | 6.0  | 22.5 | 0.8 | C232E474-9S****+ |
| 6.8                    | 26.5 | 16.0 | 7.0  | 22.5 | 0.8 | C231J685-9S****+ | 3.3                    | 26.5 | 15.0 | 6.0  | 22.5 | 0.8 | C232A335-9S****+ | 0.68                   | 26.5 | 15.0 | 6.0  | 22.5 | 0.8 | C232E684-9S****+ |
| 10.0                   | 26.5 | 17.0 | 8.5  | 22.5 | 0.8 | C231J106-9S****+ | 4.7                    | 26.5 | 16.0 | 7.0  | 22.5 | 0.8 | C232A475-9S****+ | 1.0                    | 26.5 | 15.0 | 6.0  | 22.5 | 0.8 | C232E105-9S****+ |
| 15.0                   | 26.5 | 20.0 | 11.0 | 22.5 | 0.8 | C231J156-9S****+ | 6.8                    | 26.5 | 18.5 | 10.0 | 22.5 | 0.8 | C232A685-9S****+ | 1.5                    | 26.5 | 16.0 | 7.0  | 22.5 | 0.8 | C232E155-9S****+ |
| 4.7                    | 32.0 | 18.0 | 9.0  | 27.5 | 0.8 | C231J475-BS****+ | 10.0                   | 26.5 | 22.0 | 12.0 | 22.5 | 0.8 | C232A106-9S****+ | 1.8                    | 26.5 | 16.0 | 7.0  | 22.5 | 0.8 | C232E185-9S****+ |
| 6.8                    | 32.0 | 18.0 | 9.0  | 27.5 | 0.8 | C231J685-BS****+ | 4.7                    | 32.0 | 18.0 | 9.0  | 27.5 | 0.8 | C232A475-BS****+ | 2.2                    | 26.5 | 17.0 | 8.5  | 22.5 | 0.8 | C232E225-9S****+ |
| 10.0                   | 32.0 | 18.0 | 9.0  | 27.5 | 0.8 | C231J106-BS****+ | 6.8                    | 32.0 | 18.0 | 9.0  | 27.5 | 0.8 | C232A685-BS****+ | 3.3                    | 26.5 | 20.0 | 11.0 | 22.5 | 0.8 | C232E335-9S****+ |
| 15.0                   | 32.0 | 18.0 | 9.0  | 27.5 | 0.8 | C231J156-BS****+ | 10.0                   | 32.0 | 20.0 | 11.0 | 27.5 | 0.8 | C232A106-BS****+ | 1.5                    | 32.0 | 18.0 | 9.0  | 27.5 | 0.8 | C232E155-BS****+ |
| 22.0                   | 32.0 | 22.0 | 13.0 | 27.5 | 0.8 | C231J226-BS****+ | 15.0                   | 32.0 | 20.0 | 11.0 | 27.5 | 0.8 | C232A156-BS****+ | 1.8                    | 32.0 | 18.0 | 9.0  | 27.5 | 0.8 | C232E185-BS****+ |
| 33.0                   | 32.0 | 24.5 | 15.0 | 27.5 | 0.8 | C231J336-BS****+ | 22.0                   | 32.0 | 25.0 | 13.0 | 27.5 | 0.8 | C232A226-BS****+ | 2.2                    | 32.0 | 18.0 | 9.0  | 27.5 | 0.8 | C232E225-BS****+ |
| 47.0                   | 32.0 | 30.0 | 16.0 | 27.5 | 0.8 | C231J476-BS****+ | 33.0                   | 32.0 | 30.0 | 16.0 | 27.5 | 0.8 | C232A336-BS****+ | 3.3                    | 32.0 | 18.0 | 9.0  | 27.5 | 0.8 | C232E335-BS****+ |
|                        |      |      |      |      |     |                  |                        |      |      |      |      |     |                  | 4.7                    | 32.0 | 20.0 | 11.0 | 27.5 | 0.8 | C232E475-BS****+ |
|                        |      |      |      |      |     |                  |                        |      |      |      |      |     |                  | 6.8                    | 32.0 | 22.0 | 13.0 | 27.5 | 0.8 | C232E685-BS****+ |
|                        |      |      |      |      |     |                  |                        |      |      |      |      |     |                  | 10.0                   | 32.0 | 24.5 | 15.0 | 27.5 | 0.8 | C232E106-BS****+ |

备注: 1. “-”表示容量偏差。 “-”=capacitance tolerance code, M=±20%,K=±10%,J=±5%  
2. “\*\*\*\*”表示引线加工和包装代码(见table 1)。“\*\*\*\*”=lead form and packing code( refer to table 1)

■ 外形尺寸 Dimensions ( mm )  
Pattern II ( Reduced sizes )

| 400Vdc (200Vac)        |      |      |      |      |     |                  | 630Vdc (220Vac) <sup>®</sup> |      |      |      |      |     |                  | 1000Vdc(300Vac)        |      |      |      |      |     |                  |
|------------------------|------|------|------|------|-----|------------------|------------------------------|------|------|------|------|-----|------------------|------------------------|------|------|------|------|-----|------------------|
| C <sub>N</sub><br>(μF) | W    | H    | T    | P    | d   | Part number      | C <sub>N</sub><br>(μF)       | W    | H    | T    | P    | d   | Part number      | C <sub>N</sub><br>(μF) | W    | H    | T    | P    | d   | Part number      |
| 0.022                  | 10.5 | 8.5  | 3.5  | 7.5  | 0.5 | C232G223-3S****+ | 0.0022                       | 10.5 | 8.5  | 3.5  | 7.5  | 0.5 | C232J222-3S****+ | 0.0010                 | 10.5 | 8.5  | 3.5  | 7.5  | 0.5 | C233A102-3S****+ |
| 0.033                  | 10.5 | 8.5  | 3.5  | 7.5  | 0.5 | C232G333-3S****+ | 0.0047                       | 10.5 | 8.5  | 3.5  | 7.5  | 0.5 | C232J472-3S****+ | 0.0015                 | 10.5 | 8.5  | 3.5  | 7.5  | 0.5 | C233A152-3S****+ |
| 0.047                  | 10.5 | 9.0  | 4.0  | 7.5  | 0.6 | C232G473-3S****+ | 0.0068                       | 10.5 | 8.5  | 3.5  | 7.5  | 0.5 | C232J682-3S****+ | 0.0022                 | 10.5 | 8.5  | 3.5  | 7.5  | 0.5 | C233A222-3S****+ |
| 0.068                  | 10.5 | 11.0 | 5.0  | 7.5  | 0.6 | C232G683-3S****+ | 0.010                        | 10.5 | 8.5  | 3.5  | 7.5  | 0.5 | C232J103-3S****+ | 0.0033                 | 10.5 | 8.5  | 3.5  | 7.5  | 0.5 | C233A332-3S****+ |
| 0.082                  | 10.5 | 12.0 | 6.0  | 7.5  | 0.6 | C232G823-3S****+ | 0.015                        | 10.5 | 9.0  | 4.0  | 7.5  | 0.6 | C232J153-3S****+ | 0.0047                 | 10.5 | 8.5  | 3.5  | 7.5  | 0.5 | C233A472-3S****+ |
| 0.10                   | 10.5 | 12.0 | 6.0  | 7.5  | 0.6 | C232G104-3S****+ | 0.022                        | 10.5 | 11.0 | 5.0  | 7.5  | 0.6 | C232J223-3S****+ | 0.0068                 | 10.5 | 9.0  | 4.0  | 7.5  | 0.6 | C233A682-3S****+ |
| 0.010                  | 13.0 | 9.0  | 4.0  | 10.0 | 0.6 | C232G103-4S****+ | 0.033                        | 10.5 | 12.0 | 6.0  | 7.5  | 0.6 | C232J333-3S****+ | 0.010                  | 10.5 | 11.0 | 5.0  | 7.5  | 0.6 | C233A103-3S****+ |
| 0.015                  | 13.0 | 9.0  | 4.0  | 10.0 | 0.6 | C232G153-4S****+ | 0.047                        | 10.5 | 12.0 | 6.0  | 7.5  | 0.6 | C232J473-3S****+ | 0.015                  | 10.5 | 12.0 | 6.0  | 7.5  | 0.6 | C233A153-3S****+ |
| 0.022                  | 13.0 | 9.0  | 4.0  | 10.0 | 0.6 | C232G223-4S****+ | 0.0047                       | 13.0 | 9.0  | 4.0  | 10.0 | 0.6 | C232J472-4S****+ | 0.0010                 | 13.0 | 9.0  | 4.0  | 10.0 | 0.6 | C233A102-4S****+ |
| 0.033                  | 13.0 | 9.0  | 4.0  | 10.0 | 0.6 | C232G333-4S****+ | 0.0068                       | 13.0 | 9.0  | 4.0  | 10.0 | 0.6 | C232J682-4S****+ | 0.0015                 | 13.0 | 9.0  | 4.0  | 10.0 | 0.6 | C233A152-4S****+ |
| 0.047                  | 13.0 | 9.0  | 4.0  | 10.0 | 0.6 | C232G473-4S****+ | 0.010                        | 13.0 | 9.0  | 4.0  | 10.0 | 0.6 | C232J103-4S****+ | 0.0022                 | 13.0 | 9.0  | 4.0  | 10.0 | 0.6 | C233A222-4S****+ |
| 0.056                  | 13.0 | 9.0  | 4.0  | 10.0 | 0.6 | C232G563-4S****+ | 0.015                        | 13.0 | 9.0  | 4.0  | 10.0 | 0.6 | C232J153-4S****+ | 0.0033                 | 13.0 | 9.0  | 4.0  | 10.0 | 0.6 | C233A332-4S****+ |
| 0.068                  | 13.0 | 11.0 | 5.0  | 10.0 | 0.6 | C232G683-4S****+ | 0.022                        | 13.0 | 9.0  | 4.0  | 10.0 | 0.6 | C232J223-4S****+ | 0.0047                 | 13.0 | 9.0  | 4.0  | 10.0 | 0.6 | C233A472-4S****+ |
| 0.10                   | 13.0 | 11.0 | 5.0  | 10.0 | 0.6 | C232G104-4S****+ | 0.033                        | 13.0 | 11.0 | 5.0  | 10.0 | 0.6 | C232J333-4S****+ | 0.0056                 | 13.0 | 9.0  | 4.0  | 10.0 | 0.6 | C233A562-4S****+ |
| 0.15                   | 13.0 | 12.0 | 6.0  | 10.0 | 0.6 | C232G154-4S****+ | 0.047                        | 13.0 | 11.0 | 5.0  | 10.0 | 0.6 | C232J473-4S****+ | 0.0068                 | 13.0 | 9.0  | 4.0  | 10.0 | 0.6 | C233A682-4S****+ |
| 0.047                  | 17.5 | 11.0 | 5.0  | 15.0 | 0.8 | C232G473-6S****+ | 0.068                        | 13.0 | 12.0 | 6.0  | 10.0 | 0.6 | C232J683-4S****+ | 0.010                  | 13.0 | 9.0  | 4.0  | 10.0 | 0.6 | C233A103-4S****+ |
| 0.068                  | 17.5 | 11.0 | 5.0  | 15.0 | 0.8 | C232G683-6S****+ | 0.033                        | 17.5 | 11.0 | 5.0  | 15.0 | 0.8 | C232J333-6S****+ | 0.015                  | 13.0 | 11.0 | 5.0  | 10.0 | 0.6 | C233A153-4S****+ |
| 0.10                   | 17.5 | 11.0 | 5.0  | 15.0 | 0.8 | C232G104-6S****+ | 0.047                        | 17.5 | 11.0 | 5.0  | 15.0 | 0.8 | C232J473-6S****+ | 0.022                  | 13.0 | 11.0 | 5.0  | 10.0 | 0.6 | C233A223-4S****+ |
| 0.15                   | 17.5 | 11.0 | 5.0  | 15.0 | 0.8 | C232G154-6S****+ | 0.068                        | 17.5 | 11.0 | 5.0  | 15.0 | 0.8 | C232J683-6S****+ | 0.010                  | 17.5 | 11.0 | 5.0  | 15.0 | 0.8 | C233A103-6S****+ |
| 0.22                   | 17.5 | 12.0 | 6.0  | 15.0 | 0.8 | C232G224-6S****+ | 0.10                         | 17.5 | 12.0 | 6.0  | 15.0 | 0.8 | C232J104-6S****+ | 0.015                  | 17.5 | 11.0 | 5.0  | 15.0 | 0.8 | C233A153-6S****+ |
| 0.33                   | 17.5 | 13.5 | 7.5  | 15.0 | 0.8 | C232G334-6S****+ | 0.15                         | 17.5 | 13.5 | 7.5  | 15.0 | 0.8 | C232J154-6S****+ | 0.022                  | 17.5 | 11.0 | 5.0  | 15.0 | 0.8 | C233A223-6S****+ |
| 0.47                   | 17.5 | 14.5 | 8.5  | 15.0 | 0.8 | C232G474-6S****+ | 0.22                         | 17.5 | 16.0 | 10.0 | 15.0 | 0.8 | C232J224-6S****+ | 0.033                  | 17.5 | 12.0 | 6.0  | 15.0 | 0.8 | C233A333-6S****+ |
| 0.56                   | 17.5 | 16.0 | 10.0 | 15.0 | 0.8 | C232G564-6S****+ | 0.33                         | 17.5 | 19.0 | 11.0 | 15.0 | 0.8 | C232J334-6S****+ | 0.047                  | 17.5 | 12.0 | 6.0  | 15.0 | 0.8 | C233A473-6S****+ |
| 0.68                   | 17.5 | 16.0 | 10.0 | 15.0 | 0.8 | C232G684-6S****+ | 0.10                         | 26.5 | 15.0 | 6.0  | 22.5 | 0.8 | C232J104-9S****+ | 0.068                  | 17.5 | 13.5 | 7.5  | 15.0 | 0.8 | C233A683-6S****+ |
| 0.22                   | 26.5 | 15.0 | 6.0  | 22.5 | 0.8 | C232G224-9S****+ | 0.15                         | 26.5 | 15.0 | 6.0  | 22.5 | 0.8 | C232J154-9S****+ | 0.10                   | 17.5 | 14.5 | 8.5  | 15.0 | 0.8 | C233A104-6S****+ |
| 0.33                   | 26.5 | 15.0 | 6.0  | 22.5 | 0.8 | C232G334-9S****+ | 0.22                         | 26.5 | 16.0 | 7.0  | 22.5 | 0.8 | C232J224-9S****+ | 0.033                  | 26.5 | 15.0 | 6.0  | 22.5 | 0.8 | C233A333-9S****+ |
| 0.47                   | 26.5 | 15.0 | 6.0  | 22.5 | 0.8 | C232G474-9S****+ | 0.33                         | 26.5 | 16.0 | 7.0  | 22.5 | 0.8 | C232J334-9S****+ | 0.047                  | 26.5 | 15.0 | 6.0  | 22.5 | 0.8 | C233A473-9S****+ |
| 0.68                   | 26.5 | 16.0 | 7.0  | 22.5 | 0.8 | C232G684-9S****+ | 0.47                         | 26.5 | 17.0 | 8.5  | 22.5 | 0.8 | C232J474-9S****+ | 0.068                  | 26.5 | 15.0 | 6.0  | 22.5 | 0.8 | C233A683-9S****+ |
| 1.0                    | 26.5 | 18.5 | 10.0 | 22.5 | 0.8 | C232G105-9S****+ | 0.68                         | 26.5 | 22.0 | 12.0 | 22.5 | 0.8 | C232J684-9S****+ | 0.10                   | 26.5 | 15.0 | 6.0  | 22.5 | 0.8 | C233A104-9S****+ |
| 1.5                    | 26.5 | 22.0 | 12.0 | 22.5 | 0.8 | C232G155-9S****+ | 0.33                         | 32.0 | 18.0 | 9.0  | 27.5 | 0.8 | C232J334-BS****+ | 0.15                   | 26.5 | 16.0 | 7.0  | 22.5 | 0.8 | C233A154-9S****+ |
| 0.68                   | 32.0 | 18.0 | 9.0  | 27.5 | 0.8 | C232G684-BS****+ | 0.47                         | 32.0 | 18.0 | 9.0  | 27.5 | 0.8 | C232J474-BS****+ | 0.22                   | 26.5 | 17.0 | 8.5  | 22.5 | 0.8 | C233A224-9S****+ |
| 1.0                    | 32.0 | 18.0 | 9.0  | 27.5 | 0.8 | C232G105-BS****+ | 0.68                         | 32.0 | 20.0 | 11.0 | 27.5 | 0.8 | C232J684-BS****+ | 0.33                   | 26.5 | 20.0 | 11.0 | 22.5 | 0.8 | C233A334-9S****+ |
| 1.5                    | 32.0 | 20.0 | 11.0 | 27.5 | 0.8 | C232G155-BS****+ | 1.0                          | 32.0 | 20.0 | 11.0 | 27.5 | 0.8 | C232J105-BS****+ | 0.15                   | 32.0 | 18.0 | 9.0  | 27.5 | 0.8 | C233A154-BS****+ |
| 1.8                    | 32.0 | 20.0 | 11.0 | 27.5 | 0.8 | C232G185-BS****+ |                              |      |      |      |      |     |                  | 0.22                   | 32.0 | 18.0 | 9.0  | 27.5 | 0.8 | C233A224-BS****+ |
| 2.2                    | 32.0 | 22.0 | 13.0 | 27.5 | 0.8 | C232G225-BS****+ |                              |      |      |      |      |     |                  | 0.33                   | 32.0 | 20.0 | 11.0 | 27.5 | 0.8 | C233A334-BS****+ |
| 3.3                    | 32.0 | 24.5 | 15.0 | 27.5 | 0.8 | C232G335-BS****+ |                              |      |      |      |      |     |                  | 0.47                   | 32.0 | 20.0 | 11.0 | 27.5 | 0.8 | C233A474-BS****+ |
| 4.7                    | 32.0 | 30.0 | 16.0 | 27.5 | 0.8 | C232G475-BS****+ |                              |      |      |      |      |     |                  | 0.68                   | 32.0 | 28.0 | 14.0 | 27.5 | 0.8 | C233A684-BS****+ |
| 6.8                    | 32.0 | 33.0 | 18.0 | 27.5 | 0.8 | C232G685-BS****+ |                              |      |      |      |      |     |                  | 1.0                    | 32.0 | 30.0 | 16.0 | 27.5 | 0.8 | C233A105-BS****+ |
|                        |      |      |      |      |     |                  |                              |      |      |      |      |     |                  | 1.5                    | 32.0 | 37.0 | 22.0 | 27.5 | 0.8 | C233A155-BS****+ |

备注: 1. “-”表示容量偏差。 “-”=capacitance tolerance code, M=±20%,K=±10%,J=±5%  
 2. “\*\*\*\*”表示引线加工和包装代码(见table 1)。“\*\*\*\*”=lead form and packing code (refer to table 1)  
 3. “@”不用作跨线,请参见抗干扰电容器(Pag.109)  
 “@” Not suitable for across-the-line applications. Pls refer to the Interference Suppression Capacitors(Pag.109)

## X-ON Electronics

Largest Supplier of Electrical and Electronic Components

*Click to view similar products for [Film Capacitors](#) category:*

*Click to view products by [FARATRONIC](#) manufacturer:*

Other Similar products are found below :

[703-6G](#) [82DC4100CK60J](#) [82EC1100DQ50K](#) [MMWAF150KME](#) [PCY2130F30153](#) [QXJ2E474KTPT](#) [QXL2B333KTPT](#) [QXM2G104K](#)  
[DPM16S56K-1F](#) [EEC2G505HQA406](#) [B32234-.033@250V-K](#) [B81133-C1104-M3](#) [MTC355L1](#) [217-0716-001](#) [PA225L30](#) [CB182K0184J--](#)  
[KP1830-247/061-G](#) [274ACF4400WA0J](#) [274ACF5150WA0J](#) [SCD105K122A3-22](#) [SCD205K122A3-24](#) [PCX2339F65224](#) [PCX2339F65334](#)  
[2222 368 55105](#) [2222 370 21683](#) [QXL2E473KTPT](#) [445450-1](#) [MKT182022263473](#) [WMC08P22](#) [46KN410000N1K](#) [46KR368050M1M](#) [ECQ-](#)  
[W4223KZ](#) [EEC2G805HQA415](#) [PA103L30](#) [82DC4100AA60K](#) [82EC2150DQ50K](#) [VEA105K50](#) [82IC2150DQ50J](#) [82EC2220DQ50J](#)  
[MTC55L4](#) [MTC56L4](#) [730P205X9400](#) [PA104L30](#) [PA224L30](#) [82DC3220AA60J](#) [82EC4100DQ70J](#) [WYP-104M](#) [82CC4220AA70J](#)  
[82EC3100Z370J](#) [B32656S8105K566](#)