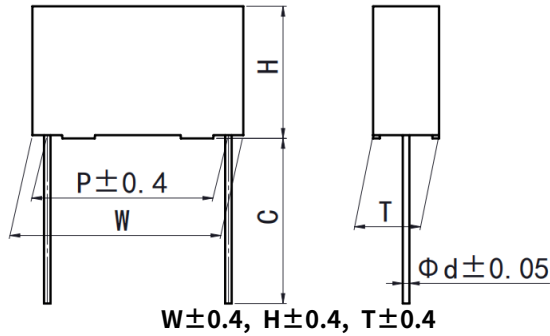


**C24**  
CL23B series

## 塑料外壳金属化聚酯膜叠片式电容器 (P=5.0) Box-type metallized polyester film capacitor (Stacked version)

### 外形图 Outline Drawing



### 特点

- 金属化聚酯膜，叠片式结构
- 塑料外壳(UL94 V-0)，环氧填充
- 抗脉冲能力强

### 主要用途

- 旁路，隔直，耦合，退耦
- 脉冲，逻辑，定时，紧凑型节能灯
- LCD 监视器整流，汽车直流马达抑制干扰

### Features

- Metallized polyester film, stacked construction
- Plastic case(UL94 V-0), epoxy resin sealing
- High dv/dt ability

### Typical Applications

- By-passing, blocking, coupling, decoupling
- Pulse logic, timing, compact fluorescent lamps
- Inverter for LCD monitors, automotive DC motor suppression

### 技术要求 Specifications

引用标准 Reference Standard	GB/T 7332 (IEC 60384-2)		
气候类别 Climatic Category	55/125/56		
额定温度 Rated Temperature	85°C		
工作温度 Operating Temperature Range	-55°C~125°C (+85°C to +125°C: decreasing factor 1.25% per °C for U <sub>R</sub> )		
额定电压 Rated Voltage	50/63V, 100V, 250V, 400V, 500V, 630V, 700V		
电容量范围 Capacitance Range	0.0010μF~2.2μF		
电容量偏差 Capacitance Tolerance	±5%(J), ±10%(K), ±20%(M)		
耐电压 Voltage Proof	1.4U <sub>R</sub> (5s)		
损耗角正切 Dissipation Factor	Frequency	C <sub>N</sub> ≤ 0.1μF	C <sub>N</sub> > 0.1μF
	1kHz	≤ 1.0%	≤ 1.0%
	10kHz	≤ 1.5%	≤ 1.5%
	100kHz	≤ 3.0%	-
绝缘电阻 Insulation Resistance	U <sub>R</sub> > 100V	R ≥ 30 000MΩ, C <sub>N</sub> ≤ 0.33μF R <sub>CN</sub> ≥ 10 000s, C <sub>N</sub> > 0.33μF	U <sub>R</sub> ≥ 100V, 充电电压 100V
	U <sub>R</sub> ≤ 100V	R ≥ 15 000MΩ, C <sub>N</sub> ≤ 0.33μF R <sub>CN</sub> ≥ 5 000s, 0.33μF < C <sub>N</sub> ≤ 1μF R <sub>CN</sub> ≥ 1 000s, C <sub>N</sub> > 1μF	U <sub>R</sub> < 100V, 充电电压 10V (20°C, 1min)
最大脉冲爬升速率 Maximum Pulse Rise Time(dV/dt):若实际工作电压 U 比额定电压 U <sub>R</sub> 低, 电容器可工作在更高的 dV/dt 场合, 这样 dV/dt 允许值应为右表值乘以 U <sub>R</sub> /U。 If the working voltage(U) is lower than the rated voltage(U <sub>R</sub> ), the capacitor can be worked at a higher dV/dt. In this case, the maximum allowed dV/dt is obtain by multiplying the right value with U <sub>R</sub> /U.	U <sub>R</sub> (V)	dV/dt(V/μs)	
		Pattern I	Pattern II
	50/63	250	75
	100	300	85
	250	400	100
	400	600	150
	500	700	200
	630	800	200
700	-	250	



■ 产品编码说明 Part number system

■ 15 位产品代码如下:

The 15 digits part number is formed as follow:

C24 Pattern I (High performance)

1	2	3	4	5	6	7	8	9	10	11	12	13	14	15
C	2	4							2	0				

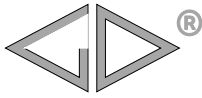
C24 Pattern II (Reduced sizes)

1	2	3	4	5	6	7	8	9	10	11	12	13	14	15
C	2	4							2	S				

第 1~3 位	型号代码	Digit 1 to 3	Series code
	C24=CL23B		C24=CL23B
第 4~5 位	直流额定电压	Digit 4 to 5	D.C. rated voltage
	1H=50V 1J=63V 2A=100V 2E=250V		1H=50V 1J=63V 2A=100V 2E=250V
	2G=400V 2H=500V 2J=630V 1V=700V		2G=400V 2H=500V 2J=630V 1V=700V
第 6~8 位	标称容量	Digit 6 to 8	Rated capacitance value
	举例: 103=10×10 <sup>3</sup> pF=0.01μF		for example: 103=10×10 <sup>3</sup> pF=0.01μF
第 9 位	容量偏差	Digit 9	Capacitance tolerance
	J=±5%,K=±10%,M=±20%		J=±5%,K=±10%,M=±20%
第 10 位	引线脚距 P	Digit 10	Pitch
	2=5.0mm		2=5.0mm
第 11 位	内部特征码	Digit 11	Internal use
第 12~15 位	引线加工和包装代码	Digit 12 to 15	Lead form and packaging code

■ Table 1 引线加工和包装代码 lead form and packaging code

第 12 位 Digit 12		第 13 位 Digit 13		第 14 位 Digit 14		第 15 位 Digit 15	
代码 Code	说明 explanation	代码 Code	说明 explanation	代码 Code	说明 explanation	代码 Code	说明 explanation
A	弹带包装 ammo-pack	2	F=5.0mm	0	表示直脚 straight	1	产品在连续的两个载带孔之间 each cap.among two consecutive holes P3=12.7mm, H=18.5mm(For pitch=5.0mm) (Detail parameter refer to page 16)
C	直脚 straight lead "C" in the figure above	代码 Code	说明 explanation		0	引线长度偏差±0.5mm 或标准长度 Length tolerance±0.5mm Or standard length	
		00	标准的引线长度(16mm~22mm) standard lead length				
		45	引线长度 4.5mm lead length 4.5mm				



C24  
CL23B series

■ 外形尺寸 Dimensions(mm)

电容器厚度(Capacitor Thickness)T	≤3.5	>3.5
外形尺寸偏差 Dimension Tolerance(W, H, T)	±0.2	±0.4

Pattern II(Reduced sizes)

50Vdc (30Vac) /63Vdc (40Vac) #							100Vdc(63Vac)							250Vdc(140Vac)						
C <sub>N</sub> (μF)	W	H	T	P	d	Part number	C <sub>N</sub> (μF)	W	H	T	P	d	Part number	C <sub>N</sub> (μF)	W	H	T	P	d	Part number
0.15	7.2	6.5	2.5	5.0	0.5	C241J154-2S****	0.10	7.2	6.5	2.5	5.0	0.5	C242A104-2S****	0.022	7.2	6.5	2.5	5.0	0.5	C242E223-2S****
0.18	7.2	6.5	2.5	5.0	0.5	C241J184-2S****	0.12	7.2	6.5	2.5	5.0	0.5	C242A124-2S****	0.027	7.2	6.5	2.5	5.0	0.5	C242E273-2S****
0.22	7.2	6.5	2.5	5.0	0.5	C241J224-2S****	0.15	7.2	7.5	3.5	5.0	0.5	C242A154-2S****	0.033	7.2	6.5	2.5	5.0	0.5	C242E333-2S****
0.27	7.2	6.5	2.5	5.0	0.5	C241J274-2S****	0.18	7.2	7.5	3.5	5.0	0.5	C242A184-2S****	0.039	7.2	7.5	3.5	5.0	0.5	C242E393-2S****
0.33	7.2	7.5	3.5	5.0	0.5	C241J334-2S****	0.22	7.2	7.5	3.5	5.0	0.5	C242A224-2S****	0.047	7.2	7.5	3.5	5.0	0.5	C242E473-2S****
0.39	7.2	7.5	3.5	5.0	0.5	C241J394-2S****	0.27	7.2	9.5	4.5	5.0	0.6	C242A274-2S****	0.056	7.2	7.5	3.5	5.0	0.5	C242E563-2S****
0.47	7.2	7.5	3.5	5.0	0.5	C241J474-2S****	0.33	7.2	9.5	4.5	5.0	0.6	C242A334-2S****	0.068	7.2	7.5	3.5	5.0	0.5	C242E683-2S****
0.56	7.2	9.5	4.5	5.0	0.6	C241J564-2S****	0.39	7.2	9.5	4.5	5.0	0.6	C242A394-2S****	0.082	7.2	9.5	4.5	5.0	0.6	C242E823-2S****
0.68	7.2	9.5	4.5	5.0	0.6	C241J684-2S****	0.47	7.2	10.0	5.0	5.0	0.6	C242A474-2S****	0.10	7.2	9.5	4.5	5.0	0.6	C242E104-2S****
0.82	7.2	9.5	4.5	5.0	0.6	C241J824-2S****	0.56	7.2	10.0	5.0	5.0	0.6	C242A564-2S****	0.12	7.2	9.5	4.5	5.0	0.6	C242E124-2S****
1.0	7.2	10.0	5.0	5.0	0.6	C241J105-2S****	0.68	7.2	11.0	6.0	5.0	0.6	C242A684-2S****	0.15	7.2	10.0	5.0	5.0	0.6	C242E154-2S****
1.5	7.2	11.0	6.0	5.0	0.6	C241J155-2S****	0.82	7.2	11.0	6.0	5.0	0.6	C242A824-2S****	0.18	7.2	11.0	6.0	5.0	0.6	C242E184-2S****
2.2	7.2	11.0	6.0	5.0	0.6	C241J225-2S****	1.0	7.2	11.0	6.0	5.0	0.6	C242A105-2S****	0.22	7.2	11.0	6.0	5.0	0.6	C242E224-2S****

400Vdc (160Vac)							500/630Vdc(220Vac) #							700V dc (250Vac)						
C <sub>N</sub> (μF)	W	H	T	P	d	Part number	C <sub>N</sub> (μF)	W	H	T	P	d	Part number	C <sub>N</sub> (μF)	W	H	T	P	d	Part number
0.0056	7.2	6.5	2.5	5.0	0.5	C242G562-2S****	0.0018	7.2	6.5	2.5	5.0	0.5	C242J182-2S****	0.0010	7.2	6.5	2.5	5.0	0.5	C241V102-2S****
0.0068	7.2	6.5	2.5	5.0	0.5	C242G682-2S****	0.0022	7.2	6.5	2.5	5.0	0.5	C242J222-2S****	0.0012	7.2	6.5	2.5	5.0	0.5	C241V122-2S****
0.0082	7.2	6.5	2.5	5.0	0.5	C242G822-2S****	0.0027	7.2	6.5	2.5	5.0	0.5	C242J272-2S****	0.0015	7.2	6.5	2.5	5.0	0.5	C241V152-2S****
0.010	7.2	6.5	2.5	5.0	0.5	C242G103-2S****	0.0033	7.2	6.5	2.5	5.0	0.5	C242J332-2S****	0.0018	7.2	6.5	2.5	5.0	0.5	C241V182-2S****
0.012	7.2	6.5	2.5	5.0	0.5	C242G123-2S****	0.0039	7.2	6.5	2.5	5.0	0.5	C242J392-2S****	0.0022	7.2	6.5	2.5	5.0	0.5	C241V222-2S****
0.015	7.2	7.5	3.5	5.0	0.5	C242G153-2S****	0.0047	7.2	6.5	2.5	5.0	0.5	C242J472-2S****	0.0027	7.2	6.5	2.5	5.0	0.5	C241V272-2S****
0.018	7.2	7.5	3.5	5.0	0.5	C242G183-2S****	0.0056	7.2	7.5	3.5	5.0	0.5	C242J562-2S****	0.0033	7.2	7.5	3.5	5.0	0.5	C241V332-2S****
0.022	7.2	7.5	3.5	5.0	0.5	C242G223-2S****	0.0068	7.2	7.5	3.5	5.0	0.5	C242J682-2S****	0.0039	7.2	7.5	3.5	5.0	0.5	C241V392-2S****
0.027	7.2	7.5	3.5	5.0	0.5	C242G273-2S****	0.0082	7.2	7.5	3.5	5.0	0.5	C242J822-2S****	0.0047	7.2	7.5	3.5	5.0	0.5	C241V472-2S****
0.033	7.2	9.5	4.5	5.0	0.6	C242G333-2S****	0.010	7.2	7.5	3.5	5.0	0.5	C242J103-2S****	0.0056	7.2	7.5	3.5	5.0	0.5	C241V562-2S****
0.039	7.2	9.5	4.5	5.0	0.6	C242G393-2S****	0.012	7.2	9.5	4.5	5.0	0.6	C242J123-2S****	0.0068	7.2	7.5	3.5	5.0	0.5	C241V682-2S****
0.047	7.2	9.5	4.5	5.0	0.6	C242G473-2S****	0.015	7.2	9.5	4.5	5.0	0.6	C242J153-2S****	0.0082	7.2	9.5	4.5	5.0	0.6	C241V822-2S****
0.051	7.2	10.0	5.0	5.0	0.6	C242G513-2S****	0.018	7.2	9.5	4.5	5.0	0.6	C242J183-2S****	0.010	7.2	9.5	4.5	5.0	0.6	C241V103-2S****
0.056	7.2	11.0	6.0	5.0	0.6	C242G563-2S****	0.022	7.2	10.0	5.0	5.0	0.6	C242J223-2S****	0.012	7.2	9.5	4.5	5.0	0.6	C241V123-2S****
0.068	7.2	11.0	6.0	5.0	0.6	C242G683-2S****	0.027	7.2	11.0	6.0	5.0	0.6	C242J273-2S****	0.015	7.2	10.0	5.0	5.0	0.6	C241V153-2S****
0.082	7.2	11.0	6.0	5.0	0.6	C242G823-2S****	0.033	7.2	11.0	6.0	5.0	0.6	C242J333-2S****	0.018	7.2	11.0	6.0	5.0	0.6	C241V183-2S****
0.10	7.2	11.0	6.0	5.0	0.6	C242G104-2S****								0.022	7.2	11.0	6.0	5.0	0.6	C241V223-2S****

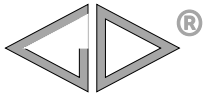
- 备注 Note: 1. “-”表示容量偏差。 “-”=capacitance tolerance code. M=±20%, K=±10%, J=±5%。  
 2. “\*\*\*\*”表示引线加工和包装代码(见表1)。“\*\*\*\*”=lead form and packing code(refer to table 1).  
 3. “#”当额定电压为 50Vdc, 500Vdc 时, 第4~5位是 1H 和 2H。  
 “#” when the rated voltage is 50Vdc, 500Vdc, the digit 4~5 is 1H, 2H.



■ 外形尺寸 Dimensions(mm)  
Pattern I (High performance)

50Vdc (30Vac) /63Vdc (40Vac) #							100Vdc (63Vac)							250V dc (160Vac)						
C <sub>N</sub> (μF)	W	H	T	P	d	Part number	C <sub>N</sub> (μF)	W	H	T	P	d	Part number	C <sub>N</sub> (μF)	W	H	T	P	d	Part number
0.0010	7.2	6.5	2.5	5.0	0.5	C241J102-20****	0.0010	7.2	6.5	2.5	5.0	0.5	C242A102-20****	0.0010	7.2	6.5	2.5	5.0	0.5	C242E102-20****
0.0012	7.2	6.5	2.5	5.0	0.5	C241J122-20****	0.0012	7.2	6.5	2.5	5.0	0.5	C242A122-20****	0.0012	7.2	6.5	2.5	5.0	0.5	C242E122-20****
0.0015	7.2	6.5	2.5	5.0	0.5	C241J152-20****	0.0015	7.2	6.5	2.5	5.0	0.5	C242A152-20****	0.0015	7.2	6.5	2.5	5.0	0.5	C242E152-20****
0.0018	7.2	6.5	2.5	5.0	0.5	C241J182-20****	0.0018	7.2	6.5	2.5	5.0	0.5	C242A182-20****	0.0018	7.2	6.5	2.5	5.0	0.5	C242E182-20****
0.0022	7.2	6.5	2.5	5.0	0.5	C241J222-20****	0.0022	7.2	6.5	2.5	5.0	0.5	C242A222-20****	0.0022	7.2	6.5	2.5	5.0	0.5	C242E222-20****
0.0027	7.2	6.5	2.5	5.0	0.5	C241J272-20****	0.0027	7.2	6.5	2.5	5.0	0.5	C242A272-20****	0.0027	7.2	6.5	2.5	5.0	0.5	C242E272-20****
0.0033	7.2	6.5	2.5	5.0	0.5	C241J332-20****	0.0033	7.2	6.5	2.5	5.0	0.5	C242A332-20****	0.0033	7.2	6.5	2.5	5.0	0.5	C242E332-20****
0.0039	7.2	6.5	2.5	5.0	0.5	C241J392-20****	0.0039	7.2	6.5	2.5	5.0	0.5	C242A392-20****	0.0039	7.2	6.5	2.5	5.0	0.5	C242E392-20****
0.0047	7.2	6.5	2.5	5.0	0.5	C241J472-20****	0.0047	7.2	6.5	2.5	5.0	0.5	C242A472-20****	0.0047	7.2	6.5	2.5	5.0	0.5	C242E472-20****
0.0056	7.2	6.5	2.5	5.0	0.5	C241J562-20****	0.0056	7.2	6.5	2.5	5.0	0.5	C242A562-20****	0.0056	7.2	6.5	2.5	5.0	0.5	C242E562-20****
0.0068	7.2	6.5	2.5	5.0	0.5	C241J682-20****	0.0068	7.2	6.5	2.5	5.0	0.5	C242A682-20****	0.0068	7.2	6.5	2.5	5.0	0.5	C242E682-20****
0.0082	7.2	6.5	2.5	5.0	0.5	C241J822-20****	0.0082	7.2	6.5	2.5	5.0	0.5	C242A822-20****	0.0082	7.2	6.5	2.5	5.0	0.5	C242E822-20****
0.010	7.2	6.5	2.5	5.0	0.5	C241J103-20****	0.010	7.2	6.5	2.5	5.0	0.5	C242A103-20****	0.010	7.2	6.5	2.5	5.0	0.5	C242E103-20****
0.012	7.2	6.5	2.5	5.0	0.5	C241J123-20****	0.012	7.2	6.5	2.5	5.0	0.5	C242A123-20****	0.012	7.2	6.5	2.5	5.0	0.5	C242E123-20****
0.015	7.2	6.5	2.5	5.0	0.5	C241J153-20****	0.015	7.2	6.5	2.5	5.0	0.5	C242A153-20****	0.015	7.2	6.5	2.5	5.0	0.5	C242E153-20****
0.018	7.2	6.5	2.5	5.0	0.5	C241J183-20****	0.018	7.2	6.5	2.5	5.0	0.5	C242A183-20****	0.018	7.2	6.5	2.5	5.0	0.5	C242E183-20****
0.022	7.2	6.5	2.5	5.0	0.5	C241J223-20****	0.022	7.2	6.5	2.5	5.0	0.5	C242A223-20****	0.022	7.2	7.5	3.5	5.0	0.5	C242E223-20****
0.027	7.2	6.5	2.5	5.0	0.5	C241J273-20****	0.027	7.2	6.5	2.5	5.0	0.5	C242A273-20****	0.027	7.2	7.5	3.5	5.0	0.5	C242E273-20****
0.033	7.2	6.5	2.5	5.0	0.5	C241J333-20****	0.033	7.2	6.5	2.5	5.0	0.5	C242A333-20****	0.033	7.2	7.5	3.5	5.0	0.5	C242E333-20****
0.039	7.2	6.5	2.5	5.0	0.5	C241J393-20****	0.039	7.2	6.5	2.5	5.0	0.5	C242A393-20****	0.039	7.2	7.5	3.5	5.0	0.5	C242E393-20****
0.047	7.2	6.5	2.5	5.0	0.5	C241J473-20****	0.047	7.2	6.5	2.5	5.0	0.5	C242A473-20****	0.047	7.2	9.5	4.5	5.0	0.6	C242E473-20****
0.056	7.2	6.5	2.5	5.0	0.5	C241J563-20****	0.056	7.2	6.5	2.5	5.0	0.5	C242A563-20****	0.056	7.2	9.5	4.5	5.0	0.6	C242E563-20****
0.068	7.2	6.5	2.5	5.0	0.5	C241J683-20****	0.068	7.2	6.5	2.5	5.0	0.5	C242A683-20****	0.068	7.2	9.5	4.5	5.0	0.6	C242E683-20****
0.082	7.2	6.5	2.5	5.0	0.5	C241J823-20****	0.082	7.2	6.5	2.5	5.0	0.5	C242A823-20****	0.082	7.2	10.0	5.0	5.0	0.6	C242E823-20****
0.10	7.2	6.5	2.5	5.0	0.5	C241J104-20****	0.10	7.2	7.5	3.5	5.0	0.5	C242A104-20****	0.10	7.2	10.0	5.0	5.0	0.6	C242E104-20****
0.12	7.2	6.5	2.5	5.0	0.5	C241J124-20****	0.12	7.2	9.5	4.5	5.0	0.6	C242A124-20****	0.12	7.2	11.0	6.0	5.0	0.6	C242E124-20****
0.15	7.2	7.5	3.5	5.0	0.5	C241J154-20****	0.15	7.2	9.5	4.5	5.0	0.6	C242A154-20****	0.15	7.2	11.0	6.0	5.0	0.6	C242E154-20****
0.18	7.2	7.5	3.5	5.0	0.5	C241J184-20****	0.18	7.2	9.5	4.5	5.0	0.6	C242A184-20****							
0.22	7.2	7.5	3.5	5.0	0.5	C241J224-20****	0.22	7.2	10.0	5.0	5.0	0.6	C242A224-20****							
0.27	7.2	9.5	4.5	5.0	0.6	C241J274-20****	0.27	7.2	10.0	5.0	5.0	0.6	C242A274-20****							
0.33	7.2	9.5	4.5	5.0	0.6	C241J334-20****	0.33	7.2	11.0	6.0	5.0	0.6	C242A334-20****							
0.39	7.2	9.5	4.5	5.0	0.6	C241J394-20****	0.39	7.2	11.0	6.0	5.0	0.6	C242A394-20****							
0.47	7.2	10.0	5.0	5.0	0.6	C241J474-20****	0.47	7.2	11.0	6.0	5.0	0.6	C242A474-20****							
0.56	7.2	10.0	5.0	5.0	0.6	C241J564-20****	0.56	7.2	11.0	6.0	5.0	0.6	C242A564-20****							
0.68	7.2	11.0	6.0	5.0	0.6	C241J684-20****														
0.82	7.2	11.0	6.0	5.0	0.6	C241J824-20****														
1.0	7.2	11.0	6.0	5.0	0.6	C241J105-20****														

- 备注 Note: 1. “-”表示容量偏差。 “-”=capacitance tolerance code. M=±20%, K=±10%, J=±5%。  
 2. “\*\*\*\*”表示引线加工和包装代码(见表1)。“\*\*\*\*”=lead form and packing code(refer to table 1).  
 3. “#”当额定电压为 50Vdc, 500Vdc 时, 第 4~5 位是 1H 和 2H。  
 “#” when the rated voltage is 50Vdc, 500Vdc, the digit 4~5 is 1H, 2H.



■ 外形尺寸 Dimensions(mm)  
Pattern I (High performance)

400Vdc (200Vac)							500Vdc (220Vac)							630V dc (220Vac)						
C <sub>N</sub> (μF)	W	H	T	P	d	Part number	C <sub>N</sub> (μF)	W	H	T	P	d	Part number	C <sub>N</sub> (μF)	W	H	T	P	d	Part number
0.0010	7.2	6.5	2.5	5.0	0.5	C242G102-20****	0.0010	7.2	6.5	2.5	5.0	0.5	C242H102-20****	0.001	7.2	6.5	2.5	5.0	0.5	C242J102-20****
0.0012	7.2	6.5	2.5	5.0	0.5	C242G122-20****	0.0012	7.2	6.5	2.5	5.0	0.5	C242H122-20****	0.001	7.2	6.5	2.5	5.0	0.5	C242J122-20****
0.0015	7.2	6.5	2.5	5.0	0.5	C242G152-20****	0.0015	7.2	6.5	2.5	5.0	0.5	C242H152-20****	0.001	7.2	6.5	2.5	5.0	0.5	C242J152-20****
0.0018	7.2	6.5	2.5	5.0	0.5	C242G182-20****	0.0018	7.2	6.5	2.5	5.0	0.5	C242H182-20****	0.001	7.2	7.5	3.5	5.0	0.5	C242J182-20****
0.0022	7.2	6.5	2.5	5.0	0.5	C242G222-20****	0.0022	7.2	6.5	2.5	5.0	0.5	C242H222-20****	0.002	7.2	7.5	3.5	5.0	0.5	C242J222-20****
0.0027	7.2	6.5	2.5	5.0	0.5	C242G272-20****	0.0027	7.2	6.5	2.5	5.0	0.5	C242H272-20****	0.002	7.2	7.5	3.5	5.0	0.5	C242J272-20****
0.0033	7.2	6.5	2.5	5.0	0.5	C242G332-20****	0.0033	7.2	7.5	3.5	5.0	0.5	C242H332-20****	0.003	7.2	7.5	3.5	5.0	0.5	C242J332-20****
0.0039	7.2	6.5	2.5	5.0	0.5	C242G392-20****	0.0039	7.2	7.5	3.5	5.0	0.5	C242H392-20****	0.003	7.2	7.5	3.5	5.0	0.5	C242J392-20****
0.0047	7.2	6.5	2.5	5.0	0.5	C242G472-20****	0.0047	7.2	7.5	3.5	5.0	0.5	C242H472-20****	0.004	7.2	9.5	4.5	5.0	0.6	C242J472-20****
0.0056	7.2	7.5	3.5	5.0	0.5	C242G562-20****	0.0056	7.2	7.5	3.5	5.0	0.5	C242H562-20****	0.005	7.2	9.5	4.5	5.0	0.6	C242J562-20****
0.0068	7.2	7.5	3.5	5.0	0.5	C242G682-20****	0.0068	7.2	9.5	4.5	5.0	0.6	C242H682-20****	0.006	7.2	9.5	4.5	5.0	0.6	C242J682-20****
0.0082	7.2	7.5	3.5	5.0	0.5	C242G822-20****	0.0082	7.2	9.5	4.5	5.0	0.6	C242H822-20****	0.008	7.2	9.5	4.5	5.0	0.6	C242J822-20****
0.010	7.2	7.5	3.5	5.0	0.5	C242G103-20****	0.010	7.2	9.5	4.5	5.0	0.6	C242H103-20****	0.010	7.2	10.0	5.0	5.0	0.6	C242J103-20****
0.012	7.2	9.5	4.5	5.0	0.6	C242G123-20****	0.012	7.2	9.5	4.5	5.0	0.6	C242H123-20****	0.012	7.2	11.0	6.0	5.0	0.6	C242J123-20****
0.015	7.2	9.5	4.5	5.0	0.6	C242G153-20****	0.015	7.2	10.0	5.0	5.0	0.6	C242H153-20****	0.015	7.2	11.0	6.0	5.0	0.6	C242J153-20****
0.018	7.2	9.5	4.5	5.0	0.6	C242G183-20****	0.018	7.2	11.0	6.0	5.0	0.6	C242H183-20****	0.018	7.2	11.0	6.0	5.0	0.6	C242J183-20****
0.022	7.2	10.0	5.0	5.0	0.6	C242G223-20****	0.022	7.2	11.0	6.0	5.0	0.6	C242H223-20****							
0.027	7.2	11.0	6.0	5.0	0.6	C242G273-20****	0.027	7.2	11.0	6.0	5.0	0.6	C242H273-20****							
0.033	7.2	11.0	6.0	5.0	0.6	C242G333-20****														
0.039	7.2	11.0	6.0	5.0	0.6	C242G393-20****														
0.047	7.2	11.0	6.0	5.0	0.6	C242G473-20****														

备注 Note: 1. “-” 表示容量偏差。 “-” =capacitance tolerance code. M=±20%, K=±10%, J=±5%.  
2. “\*\*\*\*” 表示引线加工和包装代码(见表 1)。“\*\*\*\*” =lead form and packing code(refer to table 1).

## X-ON Electronics

Largest Supplier of Electrical and Electronic Components

*Click to view similar products for [Film Capacitors](#) category:*

*Click to view products by [FARATRONIC](#) manufacturer:*

Other Similar products are found below :

[703-6G](#) [82DC4100CK60J](#) [82EC1100DQ50K](#) [MMWAF150KME](#) [PCY2130F30153](#) [QXJ2E474KTPT](#) [QXL2B333KTPT](#) [QXM2G104K](#)  
[DPM16S56K-1F](#) [EEC2G505HQA406](#) [B32234-.033@250V-K](#) [B81133-C1104-M3](#) [MTC355L1](#) [217-0716-001](#) [PA225L30](#) [CB182K0184J--](#)  
[KP1830-247/061-G](#) [274ACF4400WA0J](#) [274ACF5150WA0J](#) [SCD105K122A3-22](#) [SCD205K122A3-24](#) [PCX2339F65224](#) [PCX2339F65334](#)  
[2222 368 55105](#) [2222 370 21683](#) [QXL2E473KTPT](#) [445450-1](#) [MKT182022263473](#) [WMC08P22](#) [46KN410000N1K](#) [46KR368050M1M](#) [ECQ-](#)  
[W4223KZ](#) [EEC2G805HQA415](#) [PA103L30](#) [82DC4100AA60K](#) [82EC2150DQ50K](#) [VEA105K50](#) [82IC2150DQ50J](#) [82EC2220DQ50J](#)  
[MTC55L4](#) [MTC56L4](#) [PA104L30](#) [PA224L30](#) [82DC3220AA60J](#) [82EC4100DQ70J](#) [WYP-104M](#) [82CC4220AA70J](#) [82EC3100Z370J](#)  
[B32656S8105K566](#) [EEC2G105HQA401](#)