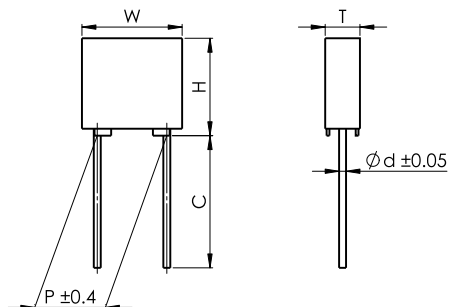




**C24**  
CL23B series

## 塑料外壳金属化聚酯膜叠片式电容器(P=5.0) Box-type metallized polyester film capacitor(Stacked version)

### ■ 外形图 Outline Drawing



### ■ 特点

- 金属化聚酯膜，叠片式结构
- 塑料外壳 (UL94 V-0)，环氧填充
- 抗脉冲能力强

### ■ 主要用途：

- 旁路，隔直，耦合，退耦
- 脉冲，逻辑，定时，紧凑型节能灯
- LCD监视器整流，汽车直流马达抑制干扰

### ■ 技术要求 Specifications

### ■ Features

- Metallized polyester film, stacked construction
- Plastic case (UL94 V-0), epoxy resin sealing
- High dv/dt ability

### ■ Typical Applications:

- By-passing, blocking, coupling, decoupling
- Pulse logic, timing, compact fluorescent lamps
- Inverter for LCD monitors, automotive DC motor suppression

引用标准 Reference Standard	GB/T 7332(IEC 60384-2)		
气候类别 Climatic Category	55/125/56		
额定温度 Rated Temperature	85°C		
工作温度 Operating Temperature Range	-55°C ~ 125°C (+85°C to +125°C: decreasing factor 1.25% per °C for U <sub>R</sub> (dc))		
额定电压 Rated Voltage	50/63V, 100V, 250V, 400V, 500V, 630V, 700V		
电容量范围 Capacitance Range	0.0010μF ~ 2.2μF		
电容量偏差 Capacitance Tolerance	± 5%(J), ± 10%(K), ± 20%(M)		
耐电压 Voltage Proof	1.4U <sub>R</sub> ( 5s )		
损耗角正切 Dissipation Factor	Frequency	C <sub>N</sub> ≤ 0.1μF	C <sub>N</sub> > 0.1μF
	1kHz	≤ 1.0%	≤ 1.0%
	10kHz	≤ 1.5%	≤ 1.5%
	100kHz	≤ 3.0%	-
绝缘电阻 Insulation Resistance	U <sub>R</sub> > 100V	R ≥ 30 000MΩ, C <sub>N</sub> ≤ 0.33μF RC <sub>N</sub> ≥ 10 000s, C <sub>N</sub> > 0.33μF	(20°C, 100V, 1min)
	U <sub>R</sub> ≤ 100V	R ≥ 15 000MΩ, C <sub>N</sub> ≤ 0.33μF RC <sub>N</sub> ≥ 5 000s, 0.33μF < C <sub>N</sub> ≤ 1μF RC <sub>N</sub> ≥ 1 000s, C <sub>N</sub> > 1μF	(20°C, 10V, 1min)
最大脉冲爬升速率 Maximum Pulse Rise Time(dv/dt): 若实际工作电压 U 比额定电压 U <sub>R</sub> 低，电容器可工作在更高的 dv/dt 场合。这样 dv/dt 允许值应为右表值乘以 U <sub>R</sub> /U。 If the working voltage(U) is lower than the rated voltage(UR),the capacitor can be worked at a higher dv/dt. In this case, the maximum allowed dV/dt is obtain by multiplying the right value with U <sub>R</sub> /U.	U <sub>R</sub> (V)	dV/dt (V/μs)	
		pattern I	pattern II
	50/63	250	75
	100	300	85
	250	400	100
	400	600	150
	500	700	200
	630	800	
700	-	250	

产品编码说明 Part number system

■ 18位产品代码如下：

The 18 digits part number is formed as follow:

**C24 Pattern I (High performance)**

1	2	3	4	5	6	7	8	9	10	11	12	13	14	15	16	17	18
C	2	4							2	0							

**C24 Pattern II (Reduced sizes)**

1	2	3	4	5	6	7	8	9	10	11	12	13	14	15	16	17	18
C	2	4							2	S							

第1~3位	型号代码 C24= CL23B	Digit 1 to 3	Series code C24= CL23B
第4~5位	直流额定电压 1H=50V 1J=63V 2A=100V 2E=250V 2G=400V 2H=500V 2J=630V 1V=700V	Digit 4 to 5	DC rated voltage 1H=50V 1J=63V 2A=100V 2E=250V 2G=400V 2H=500V 2J=630V 1V=700V
第6~8位	标称容量 举例：103=10 × 10 <sup>3</sup> pF=0.01μF	Digit 6 to 8	Rated capacitance value For example: 103=10 × 10 <sup>3</sup> pF=0.01μF
第9位	容量偏差 J= ± 5%,K= ± 10%,M= ± 20%	Digit 9	Capacitance tolerance J= ± 5%,K= ± 10%,M= ± 20%
第10位	引线脚距P 2=5.0mm	Digit 10	Pitch 2=5.0mm
第11位	内部特征码 S=II型	Digit 11	Internal use S=pattern II
第12~15位	引线加工和包装代码	Digit 12 to 15	Lead form and packaging code
第16~18位	内部特征码	Digit 16 to 18	Internal use

■ Table 1 引线加工和包装代码 lead form and packaging code

第 12 位 Digit 12		第 13 位 Digit 13		第 14 位 Digit 14		第 15 位 Digit 15	
代码 Code	说明 explanation	代码 Code	说明 explanation	代码 Code	说明 explanation	代码 Code	说明 explanation
A	弹带包装 ammo-pack	2	F=5.0mm	0	表示直脚 straight	1	产品在连续的两个载带孔之间 each cap.among two consecutive holes P3=12.7mm, H=18.5mm(For pitch=5.0mm) (Detail parameter refer to pag 17)
C	直脚 straight lead "C" in the figure above	代码 Code	说明 explanation		0	引线长度偏差 ±0.5mm 或标准长度 Length tolerance ± 0.5mm Or standard length	
		00	标准的引线长度 (18mm ~ 22 mm) standard lead length				
		45	引线长度 4.5mm lead length 4.5mm				



C24  
CL23B series

■ 外形尺寸 Dimensions ( mm )

电容器厚度 ( Capacitor Thickness ) T	≤ 3.5	>3.5
外形尺寸偏差 Dimension Tolerance ( W, H, T )	± 0.2	± 0.4

Pattern II ( Reduced sizes )

50Vdc (30Vac)/63Vdc (40Vac) <sup>#</sup>							100Vdc(63Vac)							250Vdc(140Vac)						
C <sub>N</sub> (μF)	W	H	T	P	d	Part number	C <sub>N</sub> (μF)	W	H	T	P	d	Part number	C <sub>N</sub> (μF)	W	H	T	P	d	Part number
0.15	7.2	6.5	2.5	5.0	0.5	C241J154-2S****++	0.10	7.2	6.5	2.5	5.0	0.5	C242A104-2S****++	0.022	7.2	6.5	2.5	5.0	0.5	C242E223-2S****++
0.18	7.2	6.5	2.5	5.0	0.5	C241J184-2S****++	0.12	7.2	6.5	2.5	5.0	0.5	C242A124-2S****++	0.027	7.2	6.5	2.5	5.0	0.5	C242E273-2S****++
0.22	7.2	6.5	2.5	5.0	0.5	C241J224-2S****++	0.15	7.2	7.5	3.5	5.0	0.5	C242A154-2S****++	0.033	7.2	6.5	2.5	5.0	0.5	C242E333-2S****++
0.27	7.2	6.5	2.5	5.0	0.5	C241J274-2S****++	0.18	7.2	7.5	3.5	5.0	0.5	C242A184-2S****++	0.039	7.2	7.5	3.5	5.0	0.5	C242E393-2S****++
0.33	7.2	7.5	3.5	5.0	0.5	C241J334-2S****++	0.22	7.2	7.5	3.5	5.0	0.5	C242A224-2S****++	0.047	7.2	7.5	3.5	5.0	0.5	C242E473-2S****++
0.39	7.2	7.5	3.5	5.0	0.5	C241J394-2S****++	0.27	7.2	9.5	4.5	5.0	0.6	C242A274-2S****++	0.056	7.2	7.5	3.5	5.0	0.5	C242E563-2S****++
0.47	7.2	7.5	3.5	5.0	0.5	C241J474-2S****++	0.33	7.2	9.5	4.5	5.0	0.6	C242A334-2S****++	0.068	7.2	7.5	3.5	5.0	0.5	C242E683-2S****++
0.56	7.2	9.5	4.5	5.0	0.6	C241J564-2S****++	0.39	7.2	9.5	4.5	5.0	0.6	C242A394-2S****++	0.082	7.2	9.5	4.5	5.0	0.6	C242E823-2S****++
0.68	7.2	9.5	4.5	5.0	0.6	C241J684-2S****++	0.47	7.2	10.0	5.0	5.0	0.6	C242A474-2S****++	0.10	7.2	9.5	4.5	5.0	0.6	C242E104-2S****++
0.82	7.2	9.5	4.5	5.0	0.6	C241J824-2S****++	0.56	7.2	10.0	5.0	5.0	0.6	C242A564-2S****++	0.12	7.2	9.5	4.5	5.0	0.6	C242E124-2S****++
1.0	7.2	10.0	5.0	5.0	0.6	C241J105-2S****++	0.68	7.2	11.0	6.0	5.0	0.6	C242A684-2S****++	0.15	7.2	10.0	5.0	5.0	0.6	C242E154-2S****++
1.5	7.2	11.0	6.0	5.0	0.6	C241J155-2S****++	0.82	7.2	11.0	6.0	5.0	0.6	C242A824-2S****++	0.18	7.2	11.0	6.0	5.0	0.6	C242E184-2S****++
2.2	7.2	11.0	6.0	5.0	0.6	C241J225-2S****++	1.0	7.2	11.0	6.0	5.0	0.6	C242A105-2S****++	0.22	7.2	11.0	6.0	5.0	0.6	C242E224-2S****++

400Vdc (160Vac)							500/630Vdc (220Vac) <sup>#</sup>							700Vdc (250Vac)						
C <sub>N</sub> (μF)	W	H	T	P	d	Part number	C <sub>N</sub> (μF)	W	H	T	P	d	Part number	C <sub>N</sub> (μF)	W	H	T	P	d	Part number
0.0056	7.2	6.5	2.5	5.0	0.5	C242G562-2S****++	0.0018	7.2	6.5	2.5	5.0	0.5	C242J182-2S****++	0.0010	7.2	6.5	2.5	5.0	0.5	C241V102-2S****++
0.0068	7.2	6.5	2.5	5.0	0.5	C242G682-2S****++	0.0022	7.2	6.5	2.5	5.0	0.5	C242J222-2S****++	0.0012	7.2	6.5	2.5	5.0	0.5	C241V122-2S****++
0.0082	7.2	6.5	2.5	5.0	0.5	C242G822-2S****++	0.0027	7.2	6.5	2.5	5.0	0.5	C242J272-2S****++	0.0015	7.2	6.5	2.5	5.0	0.5	C241V152-2S****++
0.010	7.2	6.5	2.5	5.0	0.5	C242G103-2S****++	0.0033	7.2	6.5	2.5	5.0	0.5	C242J332-2S****++	0.0018	7.2	6.5	2.5	5.0	0.5	C241V182-2S****++
0.012	7.2	6.5	2.5	5.0	0.5	C242G123-2S****++	0.0039	7.2	6.5	2.5	5.0	0.5	C242J392-2S****++	0.0022	7.2	6.5	2.5	5.0	0.5	C241V222-2S****++
0.015	7.2	7.5	3.5	5.0	0.5	C242G153-2S****++	0.0047	7.2	6.5	2.5	5.0	0.5	C242J472-2S****++	0.0027	7.2	6.5	2.5	5.0	0.5	C241V272-2S****++
0.018	7.2	7.5	3.5	5.0	0.5	C242G183-2S****++	0.0056	7.2	7.5	3.5	5.0	0.5	C242J562-2S****++	0.0033	7.2	7.5	3.5	5.0	0.5	C241V332-2S****++
0.022	7.2	7.5	3.5	5.0	0.5	C242G223-2S****++	0.0068	7.2	7.5	3.5	5.0	0.5	C242J682-2S****++	0.0039	7.2	7.5	3.5	5.0	0.5	C241V392-2S****++
0.027	7.2	7.5	3.5	5.0	0.5	C242G273-2S****++	0.0082	7.2	7.5	3.5	5.0	0.5	C242J822-2S****++	0.0047	7.2	7.5	3.5	5.0	0.5	C241V472-2S****++
0.033	7.2	9.5	4.5	5.0	0.6	C242G333-2S****++	0.010	7.2	7.5	3.5	5.0	0.5	C242J103-2S****++	0.0056	7.2	7.5	3.5	5.0	0.5	C241V562-2S****++
0.039	7.2	9.5	4.5	5.0	0.6	C242G393-2S****++	0.012	7.2	9.5	4.5	5.0	0.6	C242J123-2S****++	0.0068	7.2	7.5	3.5	5.0	0.5	C241V682-2S****++
0.047	7.2	9.5	4.5	5.0	0.6	C242G473-2S****++	0.015	7.2	9.5	4.5	5.0	0.6	C242J153-2S****++	0.0082	7.2	9.5	4.5	5.0	0.6	C241V822-2S****++
0.051	7.2	10.0	5.0	5.0	0.6	C242G513-2S****++	0.018	7.2	9.5	4.5	5.0	0.6	C242J183-2S****++	0.010	7.2	9.5	4.5	5.0	0.6	C241V103-2S****++
0.056	7.2	11.0	6.0	5.0	0.6	C242G563-2S****++	0.022	7.2	10.0	5.0	5.0	0.6	C242J223-2S****++	0.012	7.2	9.5	4.5	5.0	0.6	C241V123-2S****++
0.068	7.2	11.0	6.0	5.0	0.6	C242G683-2S****++	0.027	7.2	11.0	6.0	5.0	0.6	C242J273-2S****++	0.015	7.2	10.0	5.0	5.0	0.6	C241V153-2S****++
0.082	7.2	11.0	6.0	5.0	0.6	C242G823-2S****++	0.033	7.2	11.0	6.0	5.0	0.6	C242J333-2S****++	0.018	7.2	11.0	6.0	5.0	0.6	C241V183-2S****++
0.10	7.2	11.0	6.0	5.0	0.6	C242G104-2S****++								0.022	7.2	11.0	6.0	5.0	0.6	C241V223-2S****++

- 备注: 1. “-”表示容量偏差。 “-”=capacitance tolerance code, M=±20%,K=±10%,J=±5%  
 2. “\*\*\*\*”表示引线加工和包装代码(见table 1)。“\*\*\*\*”=lead form and packing code (refer to table 1)  
 3. “#”当额定电压为50Vdc,500Vdc时,第4~5位是1H和2H。  
 “#” when the rated voltage is 50Vdc,500Vdc, the digit 4~5 respectively is 1H,2H.

Pattern I (High performance)

50Vdc (30Vac)/63Vdc (40Vac) <sup>#</sup>							100Vdc (63Vac)							250Vdc (160Vac)						
C <sub>N</sub> (μF)	W	H	T	P	d	Part number	C <sub>N</sub> (μF)	W	H	T	P	d	Part number	C <sub>N</sub> (μF)	W	H	T	P	d	Part number
0.0010	7.2	6.5	2.5	5.0	0.5	C241J102-20****+++	0.0010	7.2	6.5	2.5	5.0	0.5	C242A102-20****+++	0.0010	7.2	6.5	2.5	5.0	0.5	C242E102-20****+++
0.0012	7.2	6.5	2.5	5.0	0.5	C241J122-20****+++	0.0012	7.2	6.5	2.5	5.0	0.5	C242A122-20****+++	0.0012	7.2	6.5	2.5	5.0	0.5	C242E122-20****+++
0.0015	7.2	6.5	2.5	5.0	0.5	C241J152-20****+++	0.0015	7.2	6.5	2.5	5.0	0.5	C242A152-20****+++	0.0015	7.2	6.5	2.5	5.0	0.5	C242E152-20****+++
0.0018	7.2	6.5	2.5	5.0	0.5	C241J182-20****+++	0.0018	7.2	6.5	2.5	5.0	0.5	C242A182-20****+++	0.0018	7.2	6.5	2.5	5.0	0.5	C242E182-20****+++
0.0022	7.2	6.5	2.5	5.0	0.5	C241J222-20****+++	0.0022	7.2	6.5	2.5	5.0	0.5	C242A222-20****+++	0.0022	7.2	6.5	2.5	5.0	0.5	C242E222-20****+++
0.0027	7.2	6.5	2.5	5.0	0.5	C241J272-20****+++	0.0027	7.2	6.5	2.5	5.0	0.5	C242A272-20****+++	0.0027	7.2	6.5	2.5	5.0	0.5	C242E272-20****+++
0.0033	7.2	6.5	2.5	5.0	0.5	C241J332-20****+++	0.0033	7.2	6.5	2.5	5.0	0.5	C242A332-20****+++	0.0033	7.2	6.5	2.5	5.0	0.5	C242E332-20****+++
0.0039	7.2	6.5	2.5	5.0	0.5	C241J392-20****+++	0.0039	7.2	6.5	2.5	5.0	0.5	C242A392-20****+++	0.0039	7.2	6.5	2.5	5.0	0.5	C242E392-20****+++
0.0047	7.2	6.5	2.5	5.0	0.5	C241J472-20****+++	0.0047	7.2	6.5	2.5	5.0	0.5	C242A472-20****+++	0.0047	7.2	6.5	2.5	5.0	0.5	C242E472-20****+++
0.0056	7.2	6.5	2.5	5.0	0.5	C241J562-20****+++	0.0056	7.2	6.5	2.5	5.0	0.5	C242A562-20****+++	0.0056	7.2	6.5	2.5	5.0	0.5	C242E562-20****+++
0.0068	7.2	6.5	2.5	5.0	0.5	C241J682-20****+++	0.0068	7.2	6.5	2.5	5.0	0.5	C242A682-20****+++	0.0068	7.2	6.5	2.5	5.0	0.5	C242E682-20****+++
0.0082	7.2	6.5	2.5	5.0	0.5	C241J822-20****+++	0.0082	7.2	6.5	2.5	5.0	0.5	C242A822-20****+++	0.0082	7.2	6.5	2.5	5.0	0.5	C242E822-20****+++
0.010	7.2	6.5	2.5	5.0	0.5	C241J103-20****+++	0.010	7.2	6.5	2.5	5.0	0.5	C242A103-20****+++	0.010	7.2	6.5	2.5	5.0	0.5	C242E103-20****+++
0.012	7.2	6.5	2.5	5.0	0.5	C241J123-20****+++	0.012	7.2	6.5	2.5	5.0	0.5	C242A123-20****+++	0.012	7.2	6.5	2.5	5.0	0.5	C242E123-20****+++
0.015	7.2	6.5	2.5	5.0	0.5	C241J153-20****+++	0.015	7.2	6.5	2.5	5.0	0.5	C242A153-20****+++	0.015	7.2	6.5	2.5	5.0	0.5	C242E153-20****+++
0.018	7.2	6.5	2.5	5.0	0.5	C241J183-20****+++	0.018	7.2	6.5	2.5	5.0	0.5	C242A183-20****+++	0.018	7.2	6.5	2.5	5.0	0.5	C242E183-20****+++
0.022	7.2	6.5	2.5	5.0	0.5	C241J223-20****+++	0.022	7.2	6.5	2.5	5.0	0.5	C242A223-20****+++	0.022	7.2	7.5	3.5	5.0	0.5	C242E223-20****+++
0.027	7.2	6.5	2.5	5.0	0.5	C241J273-20****+++	0.027	7.2	6.5	2.5	5.0	0.5	C242A273-20****+++	0.027	7.2	7.5	3.5	5.0	0.5	C242E273-20****+++
0.033	7.2	6.5	2.5	5.0	0.5	C241J333-20****+++	0.033	7.2	6.5	2.5	5.0	0.5	C242A333-20****+++	0.033	7.2	7.5	3.5	5.0	0.5	C242E333-20****+++
0.039	7.2	6.5	2.5	5.0	0.5	C241J393-20****+++	0.039	7.2	6.5	2.5	5.0	0.5	C242A393-20****+++	0.039	7.2	7.5	3.5	5.0	0.5	C242E393-20****+++
0.047	7.2	6.5	2.5	5.0	0.5	C241J473-20****+++	0.047	7.2	6.5	2.5	5.0	0.5	C242A473-20****+++	0.047	7.2	9.5	4.5	5.0	0.6	C242E473-20****+++
0.056	7.2	6.5	2.5	5.0	0.5	C241J563-20****+++	0.056	7.2	6.5	2.5	5.0	0.5	C242A563-20****+++	0.056	7.2	9.5	4.5	5.0	0.6	C242E563-20****+++
0.068	7.2	6.5	2.5	5.0	0.5	C241J683-20****+++	0.068	7.2	6.5	2.5	5.0	0.5	C242A683-20****+++	0.068	7.2	9.5	4.5	5.0	0.6	C242E683-20****+++
0.082	7.2	6.5	2.5	5.0	0.5	C241J823-20****+++	0.082	7.2	6.5	2.5	5.0	0.5	C242A823-20****+++	0.082	7.2	10.0	5.0	5.0	0.6	C242E823-20****+++
0.10	7.2	6.5	2.5	5.0	0.5	C241J104-20****+++	0.10	7.2	7.5	3.5	5.0	0.5	C242A104-20****+++	0.10	7.2	10.0	5.0	5.0	0.6	C242E104-20****+++
0.12	7.2	6.5	2.5	5.0	0.5	C241J124-20****+++	0.12	7.2	9.5	4.5	5.0	0.6	C242A124-20****+++	0.12	7.2	11.0	6.0	5.0	0.6	C242E124-20****+++
0.15	7.2	7.5	3.5	5.0	0.5	C241J154-20****+++	0.15	7.2	9.5	4.5	5.0	0.6	C242A154-20****+++	0.15	7.2	11.0	6.0	5.0	0.6	C242E154-20****+++
0.18	7.2	7.5	3.5	5.0	0.5	C241J184-20****+++	0.18	7.2	9.5	4.5	5.0	0.6	C242A184-20****+++							
0.22	7.2	7.5	3.5	5.0	0.5	C241J224-20****+++	0.22	7.2	10.0	5.0	5.0	0.6	C242A224-20****+++							
0.27	7.2	9.5	4.5	5.0	0.6	C241J274-20****+++	0.27	7.2	10.0	5.0	5.0	0.6	C242A274-20****+++							
0.33	7.2	9.5	4.5	5.0	0.6	C241J334-20****+++	0.33	7.2	11.0	6.0	5.0	0.6	C242A334-20****+++							
0.39	7.2	9.5	4.5	5.0	0.6	C241J394-20****+++	0.39	7.2	11.0	6.0	5.0	0.6	C242A394-20****+++							
0.47	7.2	10.0	5.0	5.0	0.6	C241J474-20****+++	0.47	7.2	11.0	6.0	5.0	0.6	C242A474-20****+++							
0.56	7.2	10.0	5.0	5.0	0.6	C241J564-20****+++	0.56	7.2	11.0	6.0	5.0	0.6	C242A564-20****+++							
0.68	7.2	11.0	6.0	5.0	0.6	C241J684-20****+++														
0.82	7.2	11.0	6.0	5.0	0.6	C241J824-20****+++														
1.0	7.2	11.0	6.0	5.0	0.6	C241J105-20****+++														

备注: 1. “-”表示容量偏差。 “-”=capacitance tolerance code, M= ±20%,K= ±10%,J= ±5%  
 2. “\*\*\*\*”表示引线加工和包装代码(见table 1)。“\*\*\*\*”=lead form and packing code (refer to table 1)  
 3. “#”当额定电压为50Vdc时,第4~5位是1H。“#”when the rated voltage is 50Vdc,the digit 4~5 is 1H.



Pattern I (High performance)

400Vdc (200Vac)							500Vdc (220Vac)							630Vdc (220Vac)						
C <sub>N</sub> (μF)	W	H	T	P	d	Part number	C <sub>N</sub> (μF)	W	H	T	P	d	Part number	C <sub>N</sub> (μF)	W	H	T	P	d	Part number
0.0010	7.2	6.5	2.5	5.0	0.5	C242G102-20****+++	0.0010	7.2	6.5	2.5	5.0	0.5	C242H102-20****+++	0.0010	7.2	6.5	2.5	5.0	0.5	C242J102-20****+++
0.0012	7.2	6.5	2.5	5.0	0.5	C242G122-20****+++	0.0012	7.2	6.5	2.5	5.0	0.5	C242H122-20****+++	0.0012	7.2	6.5	2.5	5.0	0.5	C242J122-20****+++
0.0015	7.2	6.5	2.5	5.0	0.5	C242G152-20****+++	0.0015	7.2	6.5	2.5	5.0	0.5	C242H152-20****+++	0.0015	7.2	6.5	2.5	5.0	0.5	C242J152-20****+++
0.0018	7.2	6.5	2.5	5.0	0.5	C242G182-20****+++	0.0018	7.2	6.5	2.5	5.0	0.5	C242H182-20****+++	0.0018	7.2	7.5	3.5	5.0	0.5	C242J182-20****+++
0.0022	7.2	6.5	2.5	5.0	0.5	C242G222-20****+++	0.0022	7.2	6.5	2.5	5.0	0.5	C242H222-20****+++	0.0022	7.2	7.5	3.5	5.0	0.5	C242J222-20****+++
0.0027	7.2	6.5	2.5	5.0	0.5	C242G272-20****+++	0.0027	7.2	6.5	2.5	5.0	0.5	C242H272-20****+++	0.0027	7.2	7.5	3.5	5.0	0.5	C242J272-20****+++
0.0033	7.2	6.5	2.5	5.0	0.5	C242G332-20****+++	0.0033	7.2	7.5	3.5	5.0	0.5	C242H332-20****+++	0.0033	7.2	7.5	3.5	5.0	0.5	C242J332-20****+++
0.0039	7.2	6.5	2.5	5.0	0.5	C242G392-20****+++	0.0039	7.2	7.5	3.5	5.0	0.5	C242H392-20****+++	0.0039	7.2	7.5	3.5	5.0	0.5	C242J392-20****+++
0.0047	7.2	6.5	2.5	5.0	0.5	C242G472-20****+++	0.0047	7.2	7.5	3.5	5.0	0.5	C242H472-20****+++	0.0047	7.2	9.5	4.5	5.0	0.6	C242J472-20****+++
0.0056	7.2	7.5	3.5	5.0	0.5	C242G562-20****+++	0.0056	7.2	7.5	3.5	5.0	0.5	C242H562-20****+++	0.0056	7.2	9.5	4.5	5.0	0.6	C242J562-20****+++
0.0068	7.2	7.5	3.5	5.0	0.5	C242G682-20****+++	0.0068	7.2	9.5	4.5	5.0	0.6	C242H682-20****+++	0.0068	7.2	9.5	4.5	5.0	0.6	C242J682-20****+++
0.0082	7.2	7.5	3.5	5.0	0.5	C242G822-20****+++	0.0082	7.2	9.5	4.5	5.0	0.6	C242H822-20****+++	0.0082	7.2	9.5	4.5	5.0	0.6	C242J822-20****+++
0.010	7.2	7.5	3.5	5.0	0.5	C242G103-20****+++	0.010	7.2	9.5	4.5	5.0	0.6	C242H103-20****+++	0.010	7.2	10.0	5.0	5.0	0.6	C242J103-20****+++
0.012	7.2	9.5	4.5	5.0	0.6	C242G123-20****+++	0.012	7.2	9.5	4.5	5.0	0.6	C242H123-20****+++	0.012	7.2	11.0	6.0	5.0	0.6	C242J123-20****+++
0.015	7.2	9.5	4.5	5.0	0.6	C242G153-20****+++	0.015	7.2	10.0	5.0	5.0	0.6	C242H153-20****+++	0.015	7.2	11.0	6.0	5.0	0.6	C242J153-20****+++
0.018	7.2	9.5	4.5	5.0	0.6	C242G183-20****+++	0.018	7.2	11.0	6.0	5.0	0.6	C242H183-20****+++	0.018	7.2	11.0	6.0	5.0	0.6	C242J183-20****+++
0.022	7.2	10.0	5.0	5.0	0.6	C242G223-20****+++	0.022	7.2	11.0	6.0	5.0	0.6	C242H223-20****+++							
0.027	7.2	11.0	6.0	5.0	0.6	C242G273-20****+++	0.027	7.2	11.0	6.0	5.0	0.6	C242H273-20****+++							
0.033	7.2	11.0	6.0	5.0	0.6	C242G333-20****+++														
0.039	7.2	11.0	6.0	5.0	0.6	C242G393-20****+++														
0.047	7.2	11.0	6.0	5.0	0.6	C242G473-20****+++														

备注: 1. “-”表示容量偏差。 “-”=capacitance tolerance code, M=±20%,K=±10%,J=±5%  
 2. “\*\*\*\*”表示引线加工和包装代码(见table 1)。“\*\*\*\*”=lead form and packing code( refer to table 1)

## X-ON Electronics

Largest Supplier of Electrical and Electronic Components

*Click to view similar products for [Film Capacitors](#) category:*

*Click to view products by [FARATRONIC](#) manufacturer:*

Other Similar products are found below :

[703-6G](#) [82EC1100DQ50K](#) [MMWAF150KME](#) [PCY2130F30153](#) [QXJ2E474KTPT](#) [QXL2B333KTPT](#) [QXM2G104K](#) [DPM16S56K-1F](#)  
[EEC2G505HQA406](#) [B32234-.033@250V-K](#) [B32520C6332K000](#) [B32522C6104K000](#) [B32523Q3155J](#) [B32676E6755K](#) [B81133-C1104-M3](#)  
[MTC355L1](#) [217-0716-001](#) [PA225L30](#) [CB182K0184J--](#) [KP1830-247/061-G](#) [274ACF4400WA0J](#) [SCD105K122A3-22](#) [SCD205K122A3-24](#)  
[A521HP102M400C](#) [F601BL225K063CL60A](#) [PCX2339F65224](#) [PCX2339F65334](#) [2222 368 55105](#) [2222 370 21683](#) [QXL2E473KTPT](#)  
[445450-1](#) [B32524Q6155J](#) [46KI3100JBM1K](#) [MKP 1839-215-633](#) [MKP 1840-447-165](#) [MKP383510063JKP2T0](#) [WMC08P22](#)  
[46KN410000N1K](#) [46KR368050M1M](#) [ECQ-W4223KZ](#) [EEC2G805HQA415](#) [PA103L30](#) [82DC3100DQ50J](#) [82DC4100AA60K](#)  
[82EC2150DQ50K](#) [WMF1D68](#) [PHE841ED6150MR17T0](#) [VEA105K50](#) [82EC2220DQ50J](#) [F850AG102M300C](#)