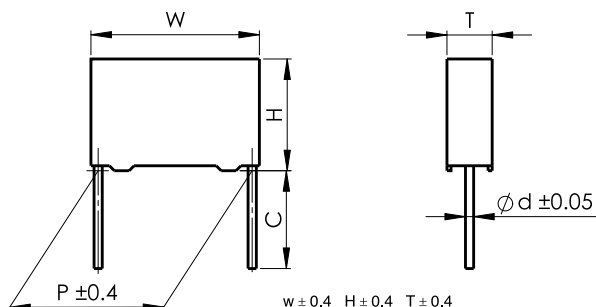


# 金属化聚丙烯膜电容器 Metallized polypropylene film capacitor(Box-type)

## ■ 外形图 Outline Drawing



## ■ 特点

- 金属化聚丙烯膜
- 高频损耗小
- 内部温升小
- 塑料外壳 (UL94 V-0), 阻燃环氧填充

## ■ 主要用途

- 广泛应用于高频、直流、交流和脉冲电路中
- 电视机、显示器 S 校正电路

## ■ 技术要求 Specifications

## ■ Features

- metallized polypropylene film
- Low loss at high frequency
- Small inherent temperature rise
- Plastic case (UL94 V-0), epoxy resin sealing

## ■ Typical application

- Widely used in high frequency, DC, AC and pulse circuits
- S-correction circuits for TV sets and monitors

|   |   |              |       |        |        |        |        |
|---|---|--------------|-------|--------|--------|--------|--------|
| 引用标准 Reference Standard   | GB/T 10190(IEC 60384-16)  |              |       |        |        |        |        |
| 气候类别 Climatic Category  | 55/105/56   |              |       |        |        |        |        |
| 额定温度 Rated Temperature  | 85℃   |              |       |        |        |        |        |
| 工作温度 Operating Temperature Range  | -55℃ ~ 105℃<br>(+85℃ to +105℃: decreasing factor 1.25% per °C for U <sub>R</sub> )                                    |              |       |        |        |        |        |
| 额定电压 Rated Voltage  | 160Vdc(90Vac), 250Vdc(160Vac), 400Vdc(220Vac), 630Vdc(250Vac)<br>1 000Vdc(400Vac), 1 600Vdc(600Vac), 2 000Vdc(700Vac) |              |       |        |        |        |        |
| 电容量范围 Capacitance Range   | 0.00056μF ~ 15.0μF  |              |       |        |        |        |        |
| 电容量偏差 Capacitance Tolerance   | ± 2%(G), ± 3%(H), ± 5%(J), ± 10%(K), ± 20%(M)   |              |       |        |        |        |        |
| 耐电压 Voltage Proof   | 1.6U <sub>R</sub> ( 5s )  |              |       |        |        |        |        |
| 损耗角正切 Dissipation Factor  | ≤ 10 × 10 <sup>-4</sup> (1kHz, 20℃)   |              |       |        |        |        |        |
| 绝缘电阻 Insulation Resistance  | R ≥ 100 000MΩ, C <sub>N</sub> ≤ 0.33μF<br>RC <sub>N</sub> ≥ 30 000s, C <sub>N</sub> > 0.33μF (20℃, 100V, 1min)        |              |       |        |        |        |        |
| 最大脉冲爬升速率 Maximum Pulse Rise Time(dV/dt): 若实际工作电压 U 比额定电压 U <sub>R</sub> 低, 电容器可工作在更高的 dV/dt 场合, 这样 dv/dt 允许值应为右表值乘以 U <sub>R</sub> /U。<br>If the working voltage(U) is lower than the rated voltage(U <sub>R</sub> ), the capacitor can be worked at a higher dV/dt. In this case, the maximum allowed dV/dt is obtain by multiplying the right value with U <sub>R</sub> /U. | U <sub>R</sub> (V)  | dV/dt (V/μs) |       |        |        |        |        |
|   |   | P=5.0        | P=7.5 | P=10.0 | P=15.0 | P=22.5 | P=27.5 |
|   | 160   | 110          | 310   | 190    | 110    | 65     | 55     |
|   | 250   | 270          | 660   | 560    | 310    | 130    | 110    |
|   | 400   | 440          | 900   | 780    | 600    | 300    | 130    |
|   | 630   | 550          | 1 500 | 1 200  | 900    | 400    | 200    |
|   | 1 000   | ---          | ---   | 2 200  | 2 000  | 800    | ---    |
|   | 1 600   | ---          | ---   | ---    | 4 500  | 1 800  | ---    |
| 2 000   | ---   | ---          | ---   | 9 500  | 4 500  | ---    |        |



**C32**  
MKP21 series

**产品编码说明 Part number system**

■ 18位产品代码如下：

**The 18 digits part number is formed as follow:**

|   |   |   |   |   |   |   |   |   |    |    |    |    |    |    |    |    |    |
|---|---|---|---|---|---|---|---|---|----|----|----|----|----|----|----|----|----|
| 1 | 2 | 3 | 4 | 5 | 6 | 7 | 8 | 9 | 10 | 11 | 12 | 13 | 14 | 15 | 16 | 17 | 18 |
| C | 3 | 2 |   |   |   |   |   |   |    |    |    |    |    |    |    |    |    |

|         |                                       |                |   |
|---------|---------------------------------------|----------------|---|
| 第1~3位   | 型号代码                                  | Digit 1 to 3   | Series code                                     |
|         | C32= MKP21                            |                | C32= MKP21                                      |
| 第4~5位   | 直流额定电压                                | Digit 4 to 5   | DC rated voltage                                |
|         | 2C=160V 2E=250V 2G=400V 2J=630V       |                | 2C=160V 2E=250V 2G=400V 2J=630V                 |
|         | 3A=1 000V 3C=1 600V 3D=2 000V         |                | 3A=1 000V 3C=1 600V 3D=2 000V                   |
| 第6~8位   | 标称容量                                  | Digit 6 to 8   | Rated capacitance value                         |
|         | 举例：103=10 × 10 <sup>3</sup> pF=0.01μF |                | For example: 103=10 × 10 <sup>3</sup> pF=0.01μF |
| 第9位     | 容量偏差                                  | Digit 9        | Capacitance tolerance                           |
|         | G= ± 2%,H = ± 3%,J= ± 5%              |                | G= ± 2%,H = ± 3%,J= ± 5%                        |
|         | K= ± 10%, M= ± 20%                    |                | K= ± 10%, M= ± 20%                              |
| 第10位    | 引线脚距P                                 | Digit 10       | Pitch   |
|         | 2=5.0mm 3=7.5mm 4=10.0mm              |                | 2=5.0mm 3=7.5mm 4=10.0mm                        |
|         | 6=15.0mm 9=22.5mm B=27.5mm            |                | 6=15.0mm 9=22.5mm B=27.5mm                      |
| 第11位    | 内部特征码                                 | Digit 11       | Internal use                                    |
| 第12~15位 | 引线加工和包装代码                             | Digit 12 to 15 | Lead form and packaging code                    |
| 第16~18位 | 内部特征码                                 | Digit 16 to 18 | Internal use                                    |

■ **Table 1 引线加工和包装代码 lead form and packaging code**

| 第 12 位 Digit 12 |   | 第 13 位 Digit 13 |   | 第 14 位 Digit 14 |                  | 第 15 位 Digit 15 |  |
|-----------------|---|-----------------|---|-----------------|------------------|-----------------|--|
| 代码 Code         | 说明 explanation                                    | 代码 Code         | 说明 explanation                              | 代码 Code         | 说明 explanation   | 代码 Code         | 说明 explanation   |
| A               | 弹带包装<br>ammo-pack                                 | 2               | F=5.0mm                                     | 0               | 表示直脚<br>straight | 1               | 产品在连续的两个载带孔之间<br>each cap. Among two consecutive holes<br>P3=12.7mm,H=18.5mm (For pitch=5.0/7.5mm) |
|                 |   | 3               | F=7.5mm                                     |                 |                  | 5               | P3=25.4mm;H=18.5mm (For pitch=10.0/15.0mm)<br>(Detail parameter refer to pag 17)                   |
|                 |   | 4               | F=10.0mm                                    |                 |                  |                 |  |
|                 |   | 6               | F=15.0mm                                    |                 |                  |                 |  |
| C               | 直脚<br>straight lead<br>“C” in the<br>figure above | 代码 Code         | 说明 explanation                              | 0               |                  | 0               | 引线长度偏差 ± 0.5mm 或标准长度<br>Length tolerance ± 0.5mm<br>Or standard length                             |
|                 |   | 00              | 标准的引线长度 (18mm~26mm)<br>standard lead length |                 |                  |                 |  |
|                 |   | 45              | 引线长度 4.5mm<br>lead length 4.5mm             |                 |                  |                 |  |

■ 外形尺寸 Dimensions ( mm )

| 160Vdc ( 90Vac )             |      |      |     |      |     |                   |
|------------------------------|------|------|-----|------|-----|-------------------|
| C <sub>N</sub><br>( $\mu$ F) | W    | H    | T   | P    | d   | Part number       |
| 0.027                        | 7.2  | 7.5  | 3.5 | 5.0  | 0.5 | C322C273-20****++ |
| 0.033                        | 7.2  | 7.5  | 3.5 | 5.0  | 0.5 | C322C333-20****++ |
| 0.039                        | 7.2  | 7.5  | 3.5 | 5.0  | 0.5 | C322C393-20****++ |
| 0.047                        | 7.2  | 9.5  | 4.5 | 5.0  | 0.6 | C322C473-20****++ |
| 0.056                        | 7.2  | 9.5  | 4.5 | 5.0  | 0.6 | C322C563-20****++ |
| 0.068                        | 7.2  | 9.5  | 4.5 | 5.0  | 0.6 | C322C683-20****++ |
| 0.082                        | 7.2  | 10.0 | 5.0 | 5.0  | 0.6 | C322C823-20****++ |
| 0.10                         | 7.2  | 10.0 | 5.0 | 5.0  | 0.6 | C322C104-20****++ |
| 0.12                         | 7.2  | 11.0 | 6.0 | 5.0  | 0.6 | C322C124-20****++ |
| 0.15                         | 7.2  | 11.0 | 6.0 | 5.0  | 0.6 | C322C154-20****++ |
| 0.068                        | 10.5 | 9.0  | 4.0 | 7.5  | 0.6 | C322C683-30****++ |
| 0.082                        | 10.5 | 9.0  | 4.0 | 7.5  | 0.6 | C322C823-30****++ |
| 0.10                         | 10.5 | 11.0 | 5.0 | 7.5  | 0.6 | C322C104-30****++ |
| 0.12                         | 10.5 | 11.0 | 5.0 | 7.5  | 0.6 | C322C124-30****++ |
| 0.15                         | 10.5 | 12.0 | 6.0 | 7.5  | 0.6 | C322C154-30****++ |
| 0.18                         | 10.5 | 12.0 | 6.0 | 7.5  | 0.6 | C322C184-30****++ |
| 0.082                        | 13.0 | 9.0  | 4.0 | 10.0 | 0.6 | C322C823-40****++ |
| 0.10                         | 13.0 | 9.0  | 4.0 | 10.0 | 0.6 | C322C104-40****++ |
| 0.12                         | 13.0 | 11.0 | 5.0 | 10.0 | 0.6 | C322C124-40****++ |
| 0.15                         | 13.0 | 11.0 | 5.0 | 10.0 | 0.6 | C322C154-40****++ |
| 0.18                         | 13.0 | 11.0 | 5.0 | 10.0 | 0.6 | C322C184-40****++ |
| 0.22                         | 13.0 | 12.0 | 6.0 | 10.0 | 0.6 | C322C224-40****++ |
| 0.27                         | 13.0 | 12.0 | 6.0 | 10.0 | 0.6 | C322C274-40****++ |
| 0.18                         | 17.5 | 11.0 | 5.0 | 15.0 | 0.8 | C322C184-60****++ |
| 0.22                         | 17.5 | 11.0 | 5.0 | 15.0 | 0.8 | C322C224-60****++ |
| 0.27                         | 17.5 | 11.0 | 5.0 | 15.0 | 0.8 | C322C274-60****++ |
| 0.33                         | 17.5 | 11.0 | 5.0 | 15.0 | 0.8 | C322C334-60****++ |
| 0.39                         | 17.5 | 12.0 | 6.0 | 15.0 | 0.8 | C322C394-60****++ |
| 0.47                         | 17.5 | 12.0 | 6.0 | 15.0 | 0.8 | C322C474-60****++ |
| 0.56                         | 17.5 | 13.5 | 7.5 | 15.0 | 0.8 | C322C564-60****++ |
| 0.68                         | 17.5 | 13.5 | 7.5 | 15.0 | 0.8 | C322C684-60****++ |

| 160Vdc ( 90Vac )             |      |      |      |      |     |                   |
|------------------------------|------|------|------|------|-----|-------------------|
| C <sub>N</sub><br>( $\mu$ F) | W    | H    | T    | P    | d   | Part number       |
| 0.82                         | 17.5 | 14.5 | 8.5  | 15.0 | 0.8 | C322C824-60****++ |
| 1.0                          | 17.5 | 16.0 | 10.0 | 15.0 | 0.8 | C322C105-60****++ |
| 1.2                          | 17.5 | 16.0 | 10.0 | 15.0 | 0.8 | C322C125-60****++ |
| 1.5                          | 17.5 | 19.0 | 11.0 | 15.0 | 0.8 | C322C155-60****++ |
| 1.8                          | 17.5 | 19.0 | 11.0 | 15.0 | 0.8 | C322C185-60****++ |
| 0.47                         | 26.5 | 15.0 | 6.0  | 22.5 | 0.8 | C322C474-90****++ |
| 0.56                         | 26.5 | 15.0 | 6.0  | 22.5 | 0.8 | C322C564-90****++ |
| 0.68                         | 26.5 | 15.0 | 6.0  | 22.5 | 0.8 | C322C684-90****++ |
| 0.82                         | 26.5 | 16.0 | 7.0  | 22.5 | 0.8 | C322C824-90****++ |
| 1.0                          | 26.5 | 16.0 | 7.0  | 22.5 | 0.8 | C322C105-90****++ |
| 1.2                          | 26.5 | 17.0 | 8.5  | 22.5 | 0.8 | C322C125-90****++ |
| 1.5                          | 26.5 | 17.0 | 8.5  | 22.5 | 0.8 | C322C155-90****++ |
| 1.8                          | 26.5 | 18.5 | 10.0 | 22.5 | 0.8 | C322C185-90****++ |
| 2.2                          | 26.5 | 20.0 | 11.0 | 22.5 | 0.8 | C322C225-90****++ |
| 2.7                          | 26.5 | 22.0 | 12.0 | 22.5 | 0.8 | C322C275-90****++ |
| 3.3                          | 26.5 | 22.0 | 12.0 | 22.5 | 0.8 | C322C335-90****++ |
| 1.0                          | 32.0 | 18.0 | 9.0  | 27.5 | 0.8 | C322C105-B0****++ |
| 1.2                          | 32.0 | 18.0 | 9.0  | 27.5 | 0.8 | C322C125-B0****++ |
| 1.5                          | 32.0 | 18.0 | 9.0  | 27.5 | 0.8 | C322C155-B0****++ |
| 1.8                          | 32.0 | 18.0 | 9.0  | 27.5 | 0.8 | C322C185-B0****++ |
| 2.2                          | 32.0 | 18.0 | 9.0  | 27.5 | 0.8 | C322C225-B0****++ |
| 2.7                          | 32.0 | 20.0 | 11.0 | 27.5 | 0.8 | C322C275-B0****++ |
| 3.3                          | 32.0 | 20.0 | 11.0 | 27.5 | 0.8 | C322C335-B0****++ |
| 3.9                          | 32.0 | 22.0 | 13.0 | 27.5 | 0.8 | C322C395-B0****++ |
| 4.7                          | 32.0 | 28.0 | 14.0 | 27.5 | 0.8 | C322C475-B0****++ |
| 5.6                          | 32.0 | 24.5 | 15.0 | 27.5 | 0.8 | C322C565-B0****++ |
| 6.8                          | 32.0 | 33.0 | 18.0 | 27.5 | 0.8 | C322C685-B0****++ |
| 8.2                          | 32.0 | 33.0 | 18.0 | 27.5 | 0.8 | C322C825-B0****++ |
| 10.0                         | 32.0 | 33.0 | 18.0 | 27.5 | 0.8 | C322C106-B0****++ |
| 12.0                         | 32.0 | 37.0 | 22.0 | 27.5 | 0.8 | C322C126-B0****++ |
| 15.0                         | 32.0 | 37.0 | 22.0 | 27.5 | 0.8 | C322C156-B0****++ |

备注: 1. “-”表示容量偏差。 “-”=capacitance tolerance code, M=±20%,K=±10%,J=±5%,H=±3%,G=±2%  
2. “\*\*\*\*”表示引线加工和包装代码(见表1)。“\*\*\*\*”=lead form and packing code (refer to table 1)



**C32**  
MKP21 series

■ 外形尺寸 Dimensions ( mm )

| 250Vdc ( 160Vac )      |      |      |     |      |     |                    |
|------------------------|------|------|-----|------|-----|--------------------|
| C <sub>N</sub><br>(μF) | W    | H    | T   | P    | d   | Part number        |
| 0.012                  | 7.2  | 7.5  | 3.5 | 5.0  | 0.5 | C322E123-20****+++ |
| 0.015                  | 7.2  | 7.5  | 3.5 | 5.0  | 0.5 | C322E153-20****+++ |
| 0.018                  | 7.2  | 7.5  | 3.5 | 5.0  | 0.5 | C322E183-20****+++ |
| 0.022                  | 7.2  | 7.5  | 3.5 | 5.0  | 0.5 | C322E223-20****+++ |
| 0.027                  | 7.2  | 7.5  | 3.5 | 5.0  | 0.5 | C322E273-20****+++ |
| 0.033                  | 7.2  | 7.5  | 3.5 | 5.0  | 0.5 | C322E333-20****+++ |
| 0.039                  | 7.2  | 7.5  | 3.5 | 5.0  | 0.5 | C322E393-20****+++ |
| 0.047                  | 7.2  | 9.5  | 4.5 | 5.0  | 0.6 | C322E473-20****+++ |
| 0.056                  | 7.2  | 9.5  | 4.5 | 5.0  | 0.6 | C322E563-20****+++ |
| 0.068                  | 7.2  | 10.0 | 5.0 | 5.0  | 0.6 | C322E683-20****+++ |
| 0.082                  | 7.2  | 10.0 | 5.0 | 5.0  | 0.6 | C322E823-20****+++ |
| 0.10                   | 7.2  | 11.0 | 6.0 | 5.0  | 0.6 | C322E104-20****+++ |
| 0.12                   | 7.2  | 11.0 | 6.0 | 5.0  | 0.6 | C322E124-20****+++ |
| 0.027                  | 10.5 | 9.0  | 4.0 | 7.5  | 0.6 | C322E273-30****+++ |
| 0.033                  | 10.5 | 9.0  | 4.0 | 7.5  | 0.6 | C322E333-30****+++ |
| 0.039                  | 10.5 | 9.0  | 4.0 | 7.5  | 0.6 | C322E393-30****+++ |
| 0.047                  | 10.5 | 9.0  | 4.0 | 7.5  | 0.6 | C322E473-30****+++ |
| 0.056                  | 10.5 | 9.0  | 4.0 | 7.5  | 0.6 | C322E563-30****+++ |
| 0.068                  | 10.5 | 9.0  | 4.0 | 7.5  | 0.6 | C322E683-30****+++ |
| 0.082                  | 10.5 | 11.0 | 5.0 | 7.5  | 0.6 | C322E823-30****+++ |
| 0.10                   | 10.5 | 11.0 | 5.0 | 7.5  | 0.6 | C322E104-30****+++ |
| 0.12                   | 10.5 | 11.0 | 5.0 | 7.5  | 0.6 | C322E124-30****+++ |
| 0.15                   | 10.5 | 12.0 | 6.0 | 7.5  | 0.6 | C322E154-30****+++ |
| 0.18                   | 10.5 | 12.0 | 6.0 | 7.5  | 0.6 | C322E184-30****+++ |
| 0.033                  | 13.0 | 9.0  | 4.0 | 10.0 | 0.6 | C322E333-40****+++ |
| 0.039                  | 13.0 | 9.0  | 4.0 | 10.0 | 0.6 | C322E393-40****+++ |
| 0.047                  | 13.0 | 9.0  | 4.0 | 10.0 | 0.6 | C322E473-40****+++ |
| 0.056                  | 13.0 | 9.0  | 4.0 | 10.0 | 0.6 | C322E563-40****+++ |
| 0.068                  | 13.0 | 9.0  | 4.0 | 10.0 | 0.6 | C322E683-40****+++ |
| 0.082                  | 13.0 | 9.0  | 4.0 | 10.0 | 0.6 | C322E823-40****+++ |
| 0.10                   | 13.0 | 11.0 | 5.0 | 10.0 | 0.6 | C322E104-40****+++ |
| 0.12                   | 13.0 | 11.0 | 5.0 | 10.0 | 0.6 | C322E124-40****+++ |
| 0.15                   | 13.0 | 11.0 | 5.0 | 10.0 | 0.6 | C322E154-40****+++ |
| 0.18                   | 13.0 | 12.0 | 6.0 | 10.0 | 0.6 | C322E184-40****+++ |
| 0.22                   | 13.0 | 12.0 | 6.0 | 10.0 | 0.6 | C322E224-40****+++ |
| 0.10                   | 17.5 | 11.0 | 5.0 | 15.0 | 0.8 | C322E104-60****+++ |
| 0.12                   | 17.5 | 11.0 | 5.0 | 15.0 | 0.8 | C322E124-60****+++ |
| 0.15                   | 17.5 | 11.0 | 5.0 | 15.0 | 0.8 | C322E154-60****+++ |

| 250Vdc ( 160Vac )      |      |      |      |      |     |                    |
|------------------------|------|------|------|------|-----|--------------------|
| C <sub>N</sub><br>(μF) | W    | H    | T    | P    | d   | Part number        |
| 0.18                   | 17.5 | 11.0 | 5.0  | 15.0 | 0.8 | C322E184-60****+++ |
| 0.22                   | 17.5 | 11.0 | 5.0  | 15.0 | 0.8 | C322E224-60****+++ |
| 0.27                   | 17.5 | 12.0 | 6.0  | 15.0 | 0.8 | C322E274-60****+++ |
| 0.33                   | 17.5 | 12.0 | 6.0  | 15.0 | 0.8 | C322E334-60****+++ |
| 0.39                   | 17.5 | 13.5 | 7.5  | 15.0 | 0.8 | C322E394-60****+++ |
| 0.47                   | 17.5 | 13.5 | 7.5  | 15.0 | 0.8 | C322E474-60****+++ |
| 0.56                   | 17.5 | 13.5 | 7.5  | 15.0 | 0.8 | C322E564-60****+++ |
| 0.68                   | 17.5 | 14.5 | 8.5  | 15.0 | 0.8 | C322E684-60****+++ |
| 0.82                   | 17.5 | 16.0 | 10.0 | 15.0 | 0.8 | C322E824-60****+++ |
| 1.0                    | 17.5 | 16.0 | 10.0 | 15.0 | 0.8 | C322E105-60****+++ |
| 1.2                    | 17.5 | 19.0 | 11.0 | 15.0 | 0.8 | C322E125-60****+++ |
| 0.39                   | 26.5 | 15.0 | 6.0  | 22.5 | 0.8 | C322E394-90****+++ |
| 0.47                   | 26.5 | 15.0 | 6.0  | 22.5 | 0.8 | C322E474-90****+++ |
| 0.56                   | 26.5 | 15.0 | 6.0  | 22.5 | 0.8 | C322E564-90****+++ |
| 0.68                   | 26.5 | 15.0 | 6.0  | 22.5 | 0.8 | C322E684-90****+++ |
| 0.82                   | 26.5 | 15.0 | 6.0  | 22.5 | 0.8 | C322E824-90****+++ |
| 1.0                    | 26.5 | 16.0 | 7.0  | 22.5 | 0.8 | C322E105-90****+++ |
| 1.2                    | 26.5 | 17.0 | 8.5  | 22.5 | 0.8 | C322E125-90****+++ |
| 1.5                    | 26.5 | 17.0 | 8.5  | 22.5 | 0.8 | C322E155-90****+++ |
| 1.8                    | 26.5 | 18.5 | 10.0 | 22.5 | 0.8 | C322E185-90****+++ |
| 2.2                    | 26.5 | 20.0 | 11.0 | 22.5 | 0.8 | C322E225-90****+++ |
| 2.7                    | 26.5 | 22.0 | 12.0 | 22.5 | 0.8 | C322E275-90****+++ |
| 0.82                   | 32.0 | 18.0 | 9.0  | 27.5 | 0.8 | C322E824-B0****+++ |
| 1.0                    | 32.0 | 18.0 | 9.0  | 27.5 | 0.8 | C322E105-B0****+++ |
| 1.2                    | 32.0 | 18.0 | 9.0  | 27.5 | 0.8 | C322E125-B0****+++ |
| 1.5                    | 32.0 | 18.0 | 9.0  | 27.5 | 0.8 | C322E155-B0****+++ |
| 1.8                    | 32.0 | 18.0 | 9.0  | 27.5 | 0.8 | C322E185-B0****+++ |
| 2.2                    | 32.0 | 18.0 | 9.0  | 27.5 | 0.8 | C322E225-B0****+++ |
| 2.7                    | 32.0 | 20.0 | 11.0 | 27.5 | 0.8 | C322E275-B0****+++ |
| 3.3                    | 32.0 | 20.0 | 11.0 | 27.5 | 0.8 | C322E335-B0****+++ |
| 3.9                    | 32.0 | 22.0 | 13.0 | 27.5 | 0.8 | C322E395-B0****+++ |
| 4.7                    | 32.0 | 28.0 | 14.0 | 27.5 | 0.8 | C322E475-B0****+++ |
| 5.6                    | 32.0 | 24.5 | 15.0 | 27.5 | 0.8 | C322E565-B0****+++ |
| 6.8                    | 32.0 | 33.0 | 18.0 | 27.5 | 0.8 | C322E685-B0****+++ |
| 8.2                    | 32.0 | 33.0 | 18.0 | 27.5 | 0.8 | C322E825-B0****+++ |
| 10.0                   | 32.0 | 33.0 | 18.0 | 27.5 | 0.8 | C322E106-B0****+++ |
| 12.0                   | 32.0 | 37.0 | 22.0 | 27.5 | 0.8 | C322E126-B0****+++ |
| 15.0                   | 32.0 | 37.0 | 22.0 | 27.5 | 0.8 | C322E156-B0****+++ |

备注: 1. “-”表示容量偏差。 “-”=capacitance tolerance code, M=±20%,K=±10%,J=±5%,H=±3%,G=±2%  
2. “\*\*\*\*”表示引线加工和包装代码(见表1)。“\*\*\*\*”=lead form and packing code (refer to table 1)

■ 外形尺寸 Dimensions ( mm )

| 400Vdc ( 220Vac ) <sup>®</sup> |      |      |     |      |     |                    |
|--------------------------------|------|------|-----|------|-----|--------------------|
| C <sub>N</sub><br>(μF)         | W    | H    | T   | P    | d   | Part number        |
| 0.0039                         | 7.2  | 7.5  | 3.5 | 5.0  | 0.5 | C322G392-20****+++ |
| 0.0047                         | 7.2  | 7.5  | 3.5 | 5.0  | 0.5 | C322G472-20****+++ |
| 0.0056                         | 7.2  | 7.5  | 3.5 | 5.0  | 0.5 | C322G562-20****+++ |
| 0.0068                         | 7.2  | 7.5  | 3.5 | 5.0  | 0.5 | C322G682-20****+++ |
| 0.0082                         | 7.2  | 7.5  | 3.5 | 5.0  | 0.5 | C322G822-20****+++ |
| 0.010                          | 7.2  | 7.5  | 3.5 | 5.0  | 0.5 | C322G103-20****+++ |
| 0.012                          | 7.2  | 7.5  | 3.5 | 5.0  | 0.5 | C322G123-20****+++ |
| 0.015                          | 7.2  | 9.5  | 4.5 | 5.0  | 0.6 | C322G153-20****+++ |
| 0.018                          | 7.2  | 9.5  | 4.5 | 5.0  | 0.6 | C322G183-20****+++ |
| 0.022                          | 7.2  | 9.5  | 4.5 | 5.0  | 0.6 | C322G223-20****+++ |
| 0.027                          | 7.2  | 10.0 | 5.0 | 5.0  | 0.6 | C322G273-20****+++ |
| 0.033                          | 7.2  | 11.0 | 6.0 | 5.0  | 0.6 | C322G333-20****+++ |
| 0.039                          | 7.2  | 11.0 | 6.0 | 5.0  | 0.6 | C322G393-20****+++ |
| 0.047                          | 7.2  | 11.0 | 6.0 | 5.0  | 0.6 | C322G473-20****+++ |
| 0.010                          | 10.5 | 9.0  | 4.0 | 7.5  | 0.6 | C322G103-30****+++ |
| 0.012                          | 10.5 | 9.0  | 4.0 | 7.5  | 0.6 | C322G123-30****+++ |
| 0.015                          | 10.5 | 9.0  | 4.0 | 7.5  | 0.6 | C322G153-30****+++ |
| 0.018                          | 10.5 | 9.0  | 4.0 | 7.5  | 0.6 | C322G183-30****+++ |
| 0.022                          | 10.5 | 9.0  | 4.0 | 7.5  | 0.6 | C322G223-30****+++ |
| 0.027                          | 10.5 | 9.0  | 4.0 | 7.5  | 0.6 | C322G273-30****+++ |
| 0.033                          | 10.5 | 11.0 | 5.0 | 7.5  | 0.6 | C322G333-30****+++ |
| 0.039                          | 10.5 | 11.0 | 5.0 | 7.5  | 0.6 | C322G393-30****+++ |
| 0.047                          | 10.5 | 11.0 | 5.0 | 7.5  | 0.6 | C322G473-30****+++ |
| 0.056                          | 10.5 | 12.0 | 6.0 | 7.5  | 0.6 | C322G563-30****+++ |
| 0.068                          | 10.5 | 12.0 | 6.0 | 7.5  | 0.6 | C322G683-30****+++ |
| 0.015                          | 13.0 | 9.0  | 4.0 | 10.0 | 0.6 | C322G153-40****+++ |
| 0.018                          | 13.0 | 9.0  | 4.0 | 10.0 | 0.6 | C322G183-40****+++ |
| 0.022                          | 13.0 | 9.0  | 4.0 | 10.0 | 0.6 | C322G223-40****+++ |
| 0.027                          | 13.0 | 9.0  | 4.0 | 10.0 | 0.6 | C322G273-40****+++ |
| 0.033                          | 13.0 | 9.0  | 4.0 | 10.0 | 0.6 | C322G333-40****+++ |
| 0.039                          | 13.0 | 9.0  | 4.0 | 10.0 | 0.6 | C322G393-40****+++ |
| 0.047                          | 13.0 | 11.0 | 5.0 | 10.0 | 0.6 | C322G473-40****+++ |
| 0.056                          | 13.0 | 11.0 | 5.0 | 10.0 | 0.6 | C322G563-40****+++ |
| 0.068                          | 13.0 | 11.0 | 5.0 | 10.0 | 0.6 | C322G683-40****+++ |
| 0.082                          | 13.0 | 12.0 | 6.0 | 10.0 | 0.6 | C322G823-40****+++ |
| 0.10                           | 13.0 | 12.0 | 6.0 | 10.0 | 0.6 | C322G104-40****+++ |
| 0.068                          | 17.5 | 11.0 | 5.0 | 15.0 | 0.8 | C322G683-60****+++ |
| 0.082                          | 17.5 | 11.0 | 5.0 | 15.0 | 0.8 | C322G823-60****+++ |

| 400Vdc ( 220Vac ) <sup>®</sup> |      |      |      |      |     |                    |
|--------------------------------|------|------|------|------|-----|--------------------|
| C <sub>N</sub><br>(μF)         | W    | H    | T    | P    | d   | Part number        |
| 0.10                           | 17.5 | 11.0 | 5.0  | 15.0 | 0.8 | C322G104-60****+++ |
| 0.12                           | 17.5 | 11.0 | 5.0  | 15.0 | 0.8 | C322G124-60****+++ |
| 0.15                           | 17.5 | 12.0 | 6.0  | 15.0 | 0.8 | C322G154-60****+++ |
| 0.18                           | 17.5 | 12.0 | 6.0  | 15.0 | 0.8 | C322G184-60****+++ |
| 0.22                           | 17.5 | 13.5 | 7.5  | 15.0 | 0.8 | C322G224-60****+++ |
| 0.27                           | 17.5 | 13.5 | 7.5  | 15.0 | 0.8 | C322G274-60****+++ |
| 0.33                           | 17.5 | 14.5 | 8.5  | 15.0 | 0.8 | C322G334-60****+++ |
| 0.39                           | 17.5 | 16.0 | 10.0 | 15.0 | 0.8 | C322G394-60****+++ |
| 0.47                           | 17.5 | 16.0 | 10.0 | 15.0 | 0.8 | C322G474-60****+++ |
| 0.56                           | 17.5 | 19.0 | 11.0 | 15.0 | 0.8 | C322G564-60****+++ |
| 0.68                           | 17.5 | 19.0 | 11.0 | 15.0 | 0.8 | C322G684-60****+++ |
| 0.18                           | 26.5 | 15.0 | 6.0  | 22.5 | 0.8 | C322G184-90****+++ |
| 0.22                           | 26.5 | 15.0 | 6.0  | 22.5 | 0.8 | C322G224-90****+++ |
| 0.27                           | 26.5 | 15.0 | 6.0  | 22.5 | 0.8 | C322G274-90****+++ |
| 0.33                           | 26.5 | 15.0 | 6.0  | 22.5 | 0.8 | C322G334-90****+++ |
| 0.39                           | 26.5 | 16.0 | 7.0  | 22.5 | 0.8 | C322G394-90****+++ |
| 0.47                           | 26.5 | 16.0 | 7.0  | 22.5 | 0.8 | C322G474-90****+++ |
| 0.56                           | 26.5 | 17.0 | 8.5  | 22.5 | 0.8 | C322G564-90****+++ |
| 0.68                           | 26.5 | 17.0 | 8.5  | 22.5 | 0.8 | C322G684-90****+++ |
| 0.82                           | 26.5 | 18.5 | 10.0 | 22.5 | 0.8 | C322G824-90****+++ |
| 1.0                            | 26.5 | 20.0 | 11.0 | 22.5 | 0.8 | C322G105-90****+++ |
| 1.2                            | 26.5 | 22.0 | 12.0 | 22.5 | 0.8 | C322G125-90****+++ |
| 1.5                            | 26.5 | 22.0 | 12.0 | 22.5 | 0.8 | C322G155-90****+++ |
| 0.56                           | 32.0 | 18.0 | 9.0  | 27.5 | 0.8 | C322G564-B0****+++ |
| 0.68                           | 32.0 | 18.0 | 9.0  | 27.5 | 0.8 | C322G684-B0****+++ |
| 0.82                           | 32.0 | 18.0 | 9.0  | 27.5 | 0.8 | C322G824-B0****+++ |
| 1.0                            | 32.0 | 18.0 | 9.0  | 27.5 | 0.8 | C322G105-B0****+++ |
| 1.2                            | 32.0 | 20.0 | 11.0 | 27.5 | 0.8 | C322G125-B0****+++ |
| 1.5                            | 32.0 | 20.0 | 11.0 | 27.5 | 0.8 | C322G155-B0****+++ |
| 1.8                            | 32.0 | 22.0 | 13.0 | 27.5 | 0.8 | C322G185-B0****+++ |
| 2.2                            | 32.0 | 24.5 | 15.0 | 27.5 | 0.8 | C322G225-B0****+++ |
| 2.7                            | 32.0 | 28.0 | 14.0 | 27.5 | 0.8 | C322G275-B0****+++ |
| 3.3                            | 32.0 | 33.0 | 18.0 | 27.5 | 0.8 | C322G335-B0****+++ |
| 3.9                            | 32.0 | 33.0 | 18.0 | 27.5 | 0.8 | C322G395-B0****+++ |
| 4.7                            | 32.0 | 37.0 | 22.0 | 27.5 | 0.8 | C322G475-B0****+++ |
| 5.6                            | 32.0 | 37.0 | 22.0 | 27.5 | 0.8 | C322G565-B0****+++ |

备注: 1. “-”表示容量偏差。 “-”=capacitance tolerance code, M=±20%,K=±10%,J=±5%,H=±3%,G=±2%  
 2. “\*\*\*\*”表示引线加工和包装代码(见表1)。“\*\*\*\*”=lead form and packing code (refer to table 1)  
 3. “@”不用作跨线,请参见抗干扰电容器(Pag.109)  
 “@” Not suitable for across-the-line application. Pls refer to Interference Suppression Capacitors(Pag. 109)



**C32**  
MKP21 series

■ 外形尺寸 Dimensions ( mm )

| 630Vdc(250Vac) <sup>@</sup> |      |      |     |     |     |                   | 630Vdc(250Vac) <sup>@</sup> |      |      |     |      |     |                   | 630Vdc(250Vac) <sup>@</sup> |      |      |      |      |     |                   |
|-----------------------------|------|------|-----|-----|-----|-------------------|-----------------------------|------|------|-----|------|-----|-------------------|-----------------------------|------|------|------|------|-----|-------------------|
| C <sub>N</sub><br>(μF)      | W    | H    | T   | P   | d   | Part number       | C <sub>N</sub><br>(μF)      | W    | H    | T   | P    | d   | Part number       | C <sub>N</sub><br>(μF)      | W    | H    | T    | P    | d   | Part number       |
| 0.0010                      | 7.2  | 7.5  | 3.5 | 5.0 | 0.5 | C322J102-20****++ | 0.027                       | 10.5 | 12.0 | 6.0 | 7.5  | 0.6 | C322J273-30****++ | 0.12                        | 17.5 | 13.5 | 7.5  | 15.0 | 0.8 | C322J124-60****++ |
| 0.0012                      | 7.2  | 7.5  | 3.5 | 5.0 | 0.5 | C322J122-20****++ | 0.033                       | 10.5 | 12.0 | 6.0 | 7.5  | 0.6 | C322J333-30****++ | 0.15                        | 17.5 | 13.5 | 7.5  | 15.0 | 0.8 | C322J154-60****++ |
| 0.0015                      | 7.2  | 7.5  | 3.5 | 5.0 | 0.5 | C322J152-20****++ | 0.0010                      | 13.0 | 9.0  | 4.0 | 10.0 | 0.6 | C322J102-40****++ | 0.18                        | 17.5 | 14.5 | 8.5  | 15.0 | 0.8 | C322J184-60****++ |
| 0.0018                      | 7.2  | 7.5  | 3.5 | 5.0 | 0.5 | C322J182-20****++ | 0.0012                      | 13.0 | 9.0  | 4.0 | 10.0 | 0.6 | C322J122-40****++ | 0.22                        | 17.5 | 16.0 | 10.0 | 15.0 | 0.8 | C322J224-60****++ |
| 0.0022                      | 7.2  | 7.5  | 3.5 | 5.0 | 0.5 | C322J222-20****++ | 0.0015                      | 13.0 | 9.0  | 4.0 | 10.0 | 0.6 | C322J152-40****++ | 0.27                        | 17.5 | 19.0 | 11.0 | 15.0 | 0.8 | C322J274-60****++ |
| 0.0027                      | 7.2  | 7.5  | 3.5 | 5.0 | 0.5 | C322J272-20****++ | 0.0018                      | 13.0 | 9.0  | 4.0 | 10.0 | 0.6 | C322J182-40****++ | 0.33                        | 17.5 | 19.0 | 11.0 | 15.0 | 0.8 | C322J334-60****++ |
| 0.0033                      | 7.2  | 7.5  | 3.5 | 5.0 | 0.5 | C322J332-20****++ | 0.0022                      | 13.0 | 9.0  | 4.0 | 10.0 | 0.6 | C322J222-40****++ | 0.082                       | 26.5 | 15.0 | 6.0  | 22.5 | 0.8 | C322J823-90****++ |
| 0.0039                      | 7.2  | 9.5  | 4.5 | 5.0 | 0.6 | C322J392-20****++ | 0.0027                      | 13.0 | 9.0  | 4.0 | 10.0 | 0.6 | C322J272-40****++ | 0.10                        | 26.5 | 15.0 | 6.0  | 22.5 | 0.8 | C322J104-90****++ |
| 0.0047                      | 7.2  | 9.5  | 4.5 | 5.0 | 0.6 | C322J472-20****++ | 0.0033                      | 13.0 | 9.0  | 4.0 | 10.0 | 0.6 | C322J332-40****++ | 0.12                        | 26.5 | 15.0 | 6.0  | 22.5 | 0.8 | C322J124-90****++ |
| 0.0056                      | 7.2  | 10.0 | 5.0 | 5.0 | 0.6 | C322J562-20****++ | 0.0039                      | 13.0 | 9.0  | 4.0 | 10.0 | 0.6 | C322J392-40****++ | 0.15                        | 26.5 | 15.0 | 6.0  | 22.5 | 0.8 | C322J154-90****++ |
| 0.0068                      | 7.2  | 10.0 | 5.0 | 5.0 | 0.6 | C322J682-20****++ | 0.0047                      | 13.0 | 9.0  | 4.0 | 10.0 | 0.6 | C322J472-40****++ | 0.18                        | 26.5 | 15.0 | 6.0  | 22.5 | 0.8 | C322J184-90****++ |
| 0.0082                      | 7.2  | 11.0 | 6.0 | 5.0 | 0.6 | C322J822-20****++ | 0.0056                      | 13.0 | 9.0  | 4.0 | 10.0 | 0.6 | C322J562-40****++ | 0.22                        | 26.5 | 16.0 | 7.0  | 22.5 | 0.8 | C322J224-90****++ |
| 0.010                       | 7.2  | 11.0 | 6.0 | 5.0 | 0.6 | C322J103-20****++ | 0.0068                      | 13.0 | 9.0  | 4.0 | 10.0 | 0.6 | C322J682-40****++ | 0.27                        | 26.5 | 17.0 | 8.5  | 22.5 | 0.8 | C322J274-90****++ |
| 0.012                       | 7.2  | 11.0 | 6.0 | 5.0 | 0.6 | C322J123-20****++ | 0.0082                      | 13.0 | 9.0  | 4.0 | 10.0 | 0.6 | C322J822-40****++ | 0.33                        | 26.5 | 17.0 | 8.5  | 22.5 | 0.8 | C322J334-90****++ |
| 0.0010                      | 10.5 | 9.0  | 4.0 | 7.5 | 0.6 | C322J102-30****++ | 0.010                       | 13.0 | 9.0  | 4.0 | 10.0 | 0.6 | C322J103-40****++ | 0.39                        | 26.5 | 18.5 | 10.0 | 22.5 | 0.8 | C322J394-90****++ |
| 0.0012                      | 10.5 | 9.0  | 4.0 | 7.5 | 0.6 | C322J122-30****++ | 0.012                       | 13.0 | 9.0  | 4.0 | 10.0 | 0.6 | C322J123-40****++ | 0.47                        | 26.5 | 18.5 | 10.0 | 22.5 | 0.8 | C322J474-90****++ |
| 0.0015                      | 10.5 | 9.0  | 4.0 | 7.5 | 0.6 | C322J152-30****++ | 0.015                       | 13.0 | 9.0  | 4.0 | 10.0 | 0.6 | C322J153-40****++ | 0.56                        | 26.5 | 20.0 | 11.0 | 22.5 | 0.8 | C322J564-90****++ |
| 0.0018                      | 10.5 | 9.0  | 4.0 | 7.5 | 0.6 | C322J182-30****++ | 0.018                       | 13.0 | 9.0  | 4.0 | 10.0 | 0.6 | C322J183-40****++ | 0.68                        | 26.5 | 22.0 | 12.0 | 22.5 | 0.8 | C322J684-90****++ |
| 0.0022                      | 10.5 | 9.0  | 4.0 | 7.5 | 0.6 | C322J222-30****++ | 0.022                       | 13.0 | 11.0 | 5.0 | 10.0 | 0.6 | C322J223-40****++ | 0.33                        | 32.0 | 18.0 | 9.0  | 27.5 | 0.8 | C322J334-B0****++ |
| 0.0027                      | 10.5 | 9.0  | 4.0 | 7.5 | 0.6 | C322J272-30****++ | 0.027                       | 13.0 | 11.0 | 5.0 | 10.0 | 0.6 | C322J273-40****++ | 0.39                        | 32.0 | 18.0 | 9.0  | 27.5 | 0.8 | C322J394-B0****++ |
| 0.0033                      | 10.5 | 9.0  | 4.0 | 7.5 | 0.6 | C322J332-30****++ | 0.033                       | 13.0 | 11.0 | 5.0 | 10.0 | 0.6 | C322J333-40****++ | 0.47                        | 32.0 | 18.0 | 9.0  | 27.5 | 0.8 | C322J474-B0****++ |
| 0.0039                      | 10.5 | 9.0  | 4.0 | 7.5 | 0.6 | C322J392-30****++ | 0.039                       | 13.0 | 12.0 | 6.0 | 10.0 | 0.6 | C322J393-40****++ | 0.56                        | 32.0 | 20.0 | 11.0 | 27.5 | 0.8 | C322J564-B0****++ |
| 0.0047                      | 10.5 | 9.0  | 4.0 | 7.5 | 0.6 | C322J472-30****++ | 0.047                       | 13.0 | 12.0 | 6.0 | 10.0 | 0.6 | C322J473-40****++ | 0.68                        | 32.0 | 20.0 | 11.0 | 27.5 | 0.8 | C322J684-B0****++ |
| 0.0056                      | 10.5 | 9.0  | 4.0 | 7.5 | 0.6 | C322J562-30****++ | 0.027                       | 17.5 | 11.0 | 5.0 | 15.0 | 0.8 | C322J273-60****++ | 0.82                        | 32.0 | 20.0 | 11.0 | 27.5 | 0.8 | C322J824-B0****++ |
| 0.0068                      | 10.5 | 9.0  | 4.0 | 7.5 | 0.6 | C322J682-30****++ | 0.033                       | 17.5 | 11.0 | 5.0 | 15.0 | 0.8 | C322J333-60****++ | 1.0                         | 32.0 | 22.0 | 13.0 | 27.5 | 0.8 | C322J105-B0****++ |
| 0.0082                      | 10.5 | 9.0  | 4.0 | 7.5 | 0.6 | C322J822-30****++ | 0.039                       | 17.5 | 11.0 | 5.0 | 15.0 | 0.8 | C322J393-60****++ | 1.2                         | 32.0 | 24.5 | 15.0 | 27.5 | 0.8 | C322J125-B0****++ |
| 0.010                       | 10.5 | 9.0  | 4.0 | 7.5 | 0.6 | C322J103-30****++ | 0.047                       | 17.5 | 11.0 | 5.0 | 15.0 | 0.8 | C322J473-60****++ | 1.5                         | 32.0 | 28.0 | 14.0 | 27.5 | 0.8 | C322J155-B0****++ |
| 0.012                       | 10.5 | 9.0  | 4.0 | 7.5 | 0.6 | C322J123-30****++ | 0.056                       | 17.5 | 11.0 | 5.0 | 15.0 | 0.8 | C322J563-60****++ | 1.8                         | 32.0 | 33.0 | 18.0 | 27.5 | 0.8 | C322J185-B0****++ |
| 0.015                       | 10.5 | 11.0 | 5.0 | 7.5 | 0.6 | C322J153-30****++ | 0.068                       | 17.5 | 12.0 | 6.0 | 15.0 | 0.8 | C322J683-60****++ | 2.2                         | 32.0 | 33.0 | 18.0 | 27.5 | 0.8 | C322J225-B0****++ |
| 0.018                       | 10.5 | 11.0 | 5.0 | 7.5 | 0.6 | C322J183-30****++ | 0.082                       | 17.5 | 12.0 | 6.0 | 15.0 | 0.8 | C322J823-60****++ | 2.7                         | 32.0 | 37.0 | 22.0 | 27.5 | 0.8 | C322J275-B0****++ |
| 0.022                       | 10.5 | 11.0 | 5.0 | 7.5 | 0.6 | C322J223-30****++ | 0.10                        | 17.5 | 13.5 | 7.5 | 15.0 | 0.8 | C322J104-60****++ | 3.3                         | 32.0 | 37.0 | 22.0 | 27.5 | 0.8 | C322J335-B0****++ |

Note: 1. “-” =capacitance tolerance code, M= ± 20%,K= ± 10%,J= ± 5%  
 2. “\*\*\*\*” =lead form and packing code ( refer to table 1 )  
 3. “@” 不用作跨线, 请参见抗干扰电容器 ( Pag.109 )  
 “@” Not suitable for across-the-line applications.Pls refer to Interference Suppression Capacitors.(Pag.109)



■ 外形尺寸 Dimensions ( mm )

| 1 000Vdc(400Vac)       |      |      |      |      |     |                  | 1 600Vdc(600Vac)       |      |      |      |      |     |                  | 2 000Vdc(700Vac)       |      |      |      |      |     |                  |
|------------------------|------|------|------|------|-----|------------------|------------------------|------|------|------|------|-----|------------------|------------------------|------|------|------|------|-----|------------------|
| C <sub>N</sub><br>(μF) | W    | H    | T    | P    | d   | Part number      | C <sub>N</sub><br>(μF) | W    | H    | T    | P    | d   | Part number      | C <sub>N</sub><br>(μF) | W    | H    | T    | P    | d   | Part number      |
| 0.0010                 | 13.0 | 9.0  | 4.0  | 10.0 | 0.6 | C323A102-40****+ | 0.00056                | 17.5 | 11.0 | 5.0  | 15.0 | 0.8 | C323C561-60****+ | 0.00056                | 17.5 | 11.0 | 5.0  | 15.0 | 0.8 | C323D561-60****+ |
| 0.0012                 | 13.0 | 9.0  | 4.0  | 10.0 | 0.6 | C323A122-40****+ | 0.00062                | 17.5 | 11.0 | 5.0  | 15.0 | 0.8 | C323C621-60****+ | 0.00062                | 17.5 | 11.0 | 5.0  | 15.0 | 0.8 | C323D621-60****+ |
| 0.0015                 | 13.0 | 9.0  | 4.0  | 10.0 | 0.6 | C323A152-40****+ | 0.00068                | 17.5 | 11.0 | 5.0  | 15.0 | 0.8 | C323C681-60****+ | 0.00068                | 17.5 | 11.0 | 5.0  | 15.0 | 0.8 | C323D681-60****+ |
| 0.0018                 | 13.0 | 9.0  | 4.0  | 10.0 | 0.6 | C323A182-40****+ | 0.00082                | 17.5 | 11.0 | 5.0  | 15.0 | 0.8 | C323C821-60****+ | 0.00082                | 17.5 | 11.0 | 5.0  | 15.0 | 0.8 | C323D821-60****+ |
| 0.0022                 | 13.0 | 9.0  | 4.0  | 10.0 | 0.6 | C323A222-40****+ | 0.0010                 | 17.5 | 11.0 | 5.0  | 15.0 | 0.8 | C323C102-60****+ | 0.0010                 | 17.5 | 11.0 | 5.0  | 15.0 | 0.8 | C323D102-60****+ |
| 0.0027                 | 13.0 | 9.0  | 4.0  | 10.0 | 0.6 | C323A272-40****+ | 0.0012                 | 17.5 | 11.0 | 5.0  | 15.0 | 0.8 | C323C122-60****+ | 0.0012                 | 17.5 | 11.0 | 5.0  | 15.0 | 0.8 | C323D122-60****+ |
| 0.0033                 | 13.0 | 9.0  | 4.0  | 10.0 | 0.6 | C323A332-40****+ | 0.0015                 | 17.5 | 11.0 | 5.0  | 15.0 | 0.8 | C323C152-60****+ | 0.0015                 | 17.5 | 11.0 | 5.0  | 15.0 | 0.8 | C323D152-60****+ |
| 0.0039                 | 13.0 | 9.0  | 4.0  | 10.0 | 0.6 | C323A392-40****+ | 0.0018                 | 17.5 | 11.0 | 5.0  | 15.0 | 0.8 | C323C182-60****+ | 0.0018                 | 17.5 | 11.0 | 5.0  | 15.0 | 0.8 | C323D182-60****+ |
| 0.0047                 | 13.0 | 11.0 | 5.0  | 10.0 | 0.6 | C323A472-40****+ | 0.0022                 | 17.5 | 11.0 | 5.0  | 15.0 | 0.8 | C323C222-60****+ | 0.0022                 | 17.5 | 11.0 | 5.0  | 15.0 | 0.8 | C323D222-60****+ |
| 0.0056                 | 13.0 | 11.0 | 5.0  | 10.0 | 0.6 | C323A562-40****+ | 0.0027                 | 17.5 | 11.0 | 5.0  | 15.0 | 0.8 | C323C272-60****+ | 0.0027                 | 17.5 | 11.0 | 5.0  | 15.0 | 0.8 | C323D272-60****+ |
| 0.0068                 | 13.0 | 11.0 | 5.0  | 10.0 | 0.6 | C323A682-40****+ | 0.0033                 | 17.5 | 11.0 | 5.0  | 15.0 | 0.8 | C323C332-60****+ | 0.0033                 | 17.5 | 11.0 | 5.0  | 15.0 | 0.8 | C323D332-60****+ |
| 0.0082                 | 13.0 | 12.0 | 6.0  | 10.0 | 0.6 | C323A822-40****+ | 0.0039                 | 17.5 | 11.0 | 5.0  | 15.0 | 0.8 | C323C392-60****+ | 0.0039                 | 17.5 | 11.0 | 5.0  | 15.0 | 0.8 | C323D392-60****+ |
| 0.010                  | 13.0 | 12.0 | 6.0  | 10.0 | 0.6 | C323A103-40****+ | 0.0047                 | 17.5 | 11.0 | 5.0  | 15.0 | 0.8 | C323C472-60****+ | 0.0047                 | 17.5 | 11.0 | 5.0  | 15.0 | 0.8 | C323D472-60****+ |
| 0.0022                 | 17.5 | 11.0 | 5.0  | 15.0 | 0.8 | C323A222-60****+ | 0.0056                 | 17.5 | 11.0 | 5.0  | 15.0 | 0.8 | C323C562-60****+ | 0.0056                 | 17.5 | 12.0 | 6.0  | 15.0 | 0.8 | C323D562-60****+ |
| 0.0027                 | 17.5 | 11.0 | 5.0  | 15.0 | 0.8 | C323A272-60****+ | 0.0068                 | 17.5 | 11.0 | 5.0  | 15.0 | 0.8 | C323C682-60****+ | 0.0068                 | 17.5 | 12.0 | 6.0  | 15.0 | 0.8 | C323D682-60****+ |
| 0.0033                 | 17.5 | 11.0 | 5.0  | 15.0 | 0.8 | C323A332-60****+ | 0.0082                 | 17.5 | 12.0 | 6.0  | 15.0 | 0.8 | C323C822-60****+ | 0.0082                 | 17.5 | 13.5 | 7.5  | 15.0 | 0.8 | C323D822-60****+ |
| 0.0039                 | 17.5 | 11.0 | 5.0  | 15.0 | 0.8 | C323A392-60****+ | 0.010                  | 17.5 | 12.0 | 6.0  | 15.0 | 0.8 | C323C103-60****+ | 0.010                  | 17.5 | 13.5 | 7.5  | 15.0 | 0.8 | C323D103-60****+ |
| 0.0047                 | 17.5 | 11.0 | 5.0  | 15.0 | 0.8 | C323A472-60****+ | 0.012                  | 17.5 | 12.0 | 6.0  | 15.0 | 0.8 | C323C123-60****+ | 0.012                  | 17.5 | 14.5 | 8.5  | 15.0 | 0.8 | C323D123-60****+ |
| 0.0056                 | 17.5 | 11.0 | 5.0  | 15.0 | 0.8 | C323A562-60****+ | 0.015                  | 17.5 | 13.5 | 7.5  | 15.0 | 0.8 | C323C153-60****+ | 0.015                  | 17.5 | 14.5 | 8.5  | 15.0 | 0.8 | C323D153-60****+ |
| 0.0068                 | 17.5 | 11.0 | 5.0  | 15.0 | 0.8 | C323A682-60****+ | 0.018                  | 17.5 | 13.5 | 7.5  | 15.0 | 0.8 | C323C183-60****+ | 0.018                  | 17.5 | 16.0 | 10.0 | 15.0 | 0.8 | C323D183-60****+ |
| 0.0082                 | 17.5 | 11.0 | 5.0  | 15.0 | 0.8 | C323A822-60****+ | 0.022                  | 17.5 | 14.5 | 8.5  | 15.0 | 0.8 | C323C223-60****+ | 0.022                  | 17.5 | 19.0 | 11.0 | 15.0 | 0.8 | C323D223-60****+ |
| 0.010                  | 17.5 | 11.0 | 5.0  | 15.0 | 0.8 | C323A103-60****+ | 0.027                  | 17.5 | 16.0 | 10.0 | 15.0 | 0.8 | C323C273-60****+ | 0.0068                 | 26.5 | 15.0 | 6.0  | 22.5 | 0.8 | C323D682-90****+ |
| 0.012                  | 17.5 | 11.0 | 5.0  | 15.0 | 0.8 | C323A123-60****+ | 0.033                  | 17.5 | 16.0 | 10.0 | 15.0 | 0.8 | C323C333-60****+ | 0.0082                 | 26.5 | 15.0 | 6.0  | 22.5 | 0.8 | C323D822-90****+ |
| 0.015                  | 17.5 | 12.0 | 6.0  | 15.0 | 0.8 | C323A153-60****+ | 0.039                  | 17.5 | 19.0 | 11.0 | 15.0 | 0.8 | C323C393-60****+ | 0.010                  | 26.5 | 15.0 | 6.0  | 22.5 | 0.8 | C323D103-90****+ |
| 0.018                  | 17.5 | 12.0 | 6.0  | 15.0 | 0.8 | C323A183-60****+ | 0.047                  | 17.5 | 19.0 | 11.0 | 15.0 | 0.8 | C323C473-60****+ | 0.012                  | 26.5 | 15.0 | 6.0  | 22.5 | 0.8 | C323D123-90****+ |
| 0.022                  | 17.5 | 13.5 | 7.5  | 15.0 | 0.8 | C323A223-60****+ | 0.015                  | 26.5 | 15.0 | 6.0  | 22.5 | 0.8 | C323C153-90****+ | 0.015                  | 26.5 | 15.0 | 6.0  | 22.5 | 0.8 | C323D153-90****+ |
| 0.027                  | 17.5 | 13.5 | 7.5  | 15.0 | 0.8 | C323A273-60****+ | 0.018                  | 26.5 | 15.0 | 6.0  | 22.5 | 0.8 | C323C183-90****+ | 0.018                  | 26.5 | 16.0 | 7.0  | 22.5 | 0.8 | C323D183-90****+ |
| 0.033                  | 17.5 | 14.5 | 8.5  | 15.0 | 0.8 | C323A333-60****+ | 0.022                  | 26.5 | 15.0 | 6.0  | 22.5 | 0.8 | C323C223-90****+ | 0.022                  | 26.5 | 17.0 | 8.5  | 22.5 | 0.8 | C323D223-90****+ |
| 0.039                  | 17.5 | 16.0 | 10.0 | 15.0 | 0.8 | C323A393-60****+ | 0.027                  | 26.5 | 16.0 | 7.0  | 22.5 | 0.8 | C323C273-90****+ | 0.027                  | 26.5 | 17.0 | 8.5  | 22.5 | 0.8 | C323D273-90****+ |
| 0.047                  | 17.5 | 16.0 | 10.0 | 15.0 | 0.8 | C323A473-60****+ | 0.033                  | 26.5 | 16.0 | 7.0  | 22.5 | 0.8 | C323C333-90****+ | 0.033                  | 26.5 | 18.5 | 10.0 | 22.5 | 0.8 | C323D333-90****+ |
| 0.056                  | 17.5 | 19.0 | 11.0 | 15.0 | 0.8 | C323A563-60****+ | 0.039                  | 26.5 | 17.0 | 8.5  | 22.5 | 0.8 | C323C393-90****+ | 0.039                  | 26.5 | 18.5 | 10.0 | 22.5 | 0.8 | C323D393-90****+ |
| 0.068                  | 17.5 | 19.0 | 11.0 | 15.0 | 0.8 | C323A683-60****+ | 0.047                  | 26.5 | 18.5 | 10.0 | 22.5 | 0.8 | C323C473-90****+ | 0.047                  | 26.5 | 22.0 | 12.0 | 22.5 | 0.8 | C323D473-90****+ |
| 0.018                  | 26.5 | 15.0 | 6.0  | 22.5 | 0.8 | C323A183-90****+ | 0.056                  | 26.5 | 18.5 | 10.0 | 22.5 | 0.8 | C323C563-90****+ | 0.056                  | 26.5 | 22.0 | 12.0 | 22.5 | 0.8 | C323D563-90****+ |
| 0.022                  | 26.5 | 15.0 | 6.0  | 22.5 | 0.8 | C323A223-90****+ | 0.068                  | 26.5 | 22.0 | 12.0 | 22.5 | 0.8 | C323C683-90****+ | 0.068                  | 26.5 | 22.0 | 12.0 | 22.5 | 0.8 | C323D683-90****+ |
| 0.027                  | 26.5 | 15.0 | 6.0  | 22.5 | 0.8 | C323A273-90****+ | 0.082                  | 26.5 | 22.0 | 12.0 | 22.5 | 0.8 | C323C823-90****+ | 0.082                  | 26.5 | 22.0 | 12.0 | 22.5 | 0.8 | C323D823-90****+ |
| 0.033                  | 26.5 | 15.0 | 6.0  | 22.5 | 0.8 | C323A333-90****+ | 0.10                   | 26.5 | 22.0 | 12.0 | 22.5 | 0.8 | C323C104-90****+ | 0.10                   | 26.5 | 22.0 | 12.0 | 22.5 | 0.8 | C323D104-90****+ |
| 0.039                  | 26.5 | 15.0 | 6.0  | 22.5 | 0.8 | C323A393-90****+ |                        |      |      |      |      |     |                  |                        |      |      |      |      |     |                  |
| 0.047                  | 26.5 | 16.0 | 7.0  | 22.5 | 0.8 | C323A473-90****+ |                        |      |      |      |      |     |                  |                        |      |      |      |      |     |                  |
| 0.056                  | 26.5 | 16.0 | 7.0  | 22.5 | 0.8 | C323A563-90****+ |                        |      |      |      |      |     |                  |                        |      |      |      |      |     |                  |
| 0.068                  | 26.5 | 17.0 | 8.5  | 22.5 | 0.8 | C323A683-90****+ |                        |      |      |      |      |     |                  |                        |      |      |      |      |     |                  |
| 0.082                  | 26.5 | 17.0 | 8.5  | 22.5 | 0.8 | C323A823-90****+ |                        |      |      |      |      |     |                  |                        |      |      |      |      |     |                  |
| 0.10                   | 26.5 | 18.5 | 10.0 | 22.5 | 0.8 | C323A104-90****+ |                        |      |      |      |      |     |                  |                        |      |      |      |      |     |                  |
| 0.12                   | 26.5 | 22.0 | 12.0 | 22.5 | 0.8 | C323A124-90****+ |                        |      |      |      |      |     |                  |                        |      |      |      |      |     |                  |
| 0.15                   | 26.5 | 22.0 | 12.0 | 22.5 | 0.8 | C323A154-90****+ |                        |      |      |      |      |     |                  |                        |      |      |      |      |     |                  |

备注: 1. “-”表示容量偏差。 “-”=capacitance tolerance code, M=±20%,K=±10%,J=±5%,H=±3%,G=±2%  
2. “\*\*\*\*”表示引线加工和包装代码(见表1)。“\*\*\*\*”=lead form and packing code (refer to table 1)

## X-ON Electronics

Largest Supplier of Electrical and Electronic Components

*Click to view similar products for [faratronic](#) manufacturer:*

Other Similar products are found below :

[C42Q2225K9SC000](#) [C312J105JB2C000](#) [C42P2474K9SCB5A](#) [C163L474J0A2000](#) [C43Q1224K9SC000](#) [C823D822J60Q350](#)  
[C212A475K9AC000](#) [C323A683K60C000](#) [C43Q1472M40C000](#) [C242A105J2SC000](#) [C222S105J60C000](#) [C4BQ2475MBWC500](#)  
[C42Q2225MBSC000](#) [C43Q1103K40C000](#) [C352J333J40C000](#) [C241J105J2SA201](#) [D43Q1224KB0C000](#) [C222S105J60Y350](#)  
[C823A104J90C000](#) [C823A563J90C000](#) [C42Q2474K6FC450](#) [C4BQ2225MBWC000](#) [C42Q2334K6SC000](#) [C43Q1103K6SC000](#)  
[C242A104J2SA201](#) [C323A104J90C000](#) [C823D471J60C350](#) [C42Q2475MBFC500](#) [C312E474J6SC000](#) [C322J104J60Q350](#)  
[C42Q2105M9SC000](#) [C3D1U506KFAA382](#) [C322E225K90C000](#) [C6AQ1475JB20000](#) [C242A474J2SA201](#) [C42Q2473M4SC000](#)  
[C823A223J60C000](#) [C352J473J40C000](#) [C42P2475KB0C000](#) [C42Q2474K6FC000](#) [C42Q2224K6SC000](#) [C222S154J40A40E](#)  
[C222T105K90C000](#) [C252A475J60C322](#) [C42Q2335KBAC350](#) [C42P2225K9SC000](#) [C322E224K40C000](#) [C823C103J60C350](#)  
[C242A224J2SA201](#) [C42P2474K6SC400](#)